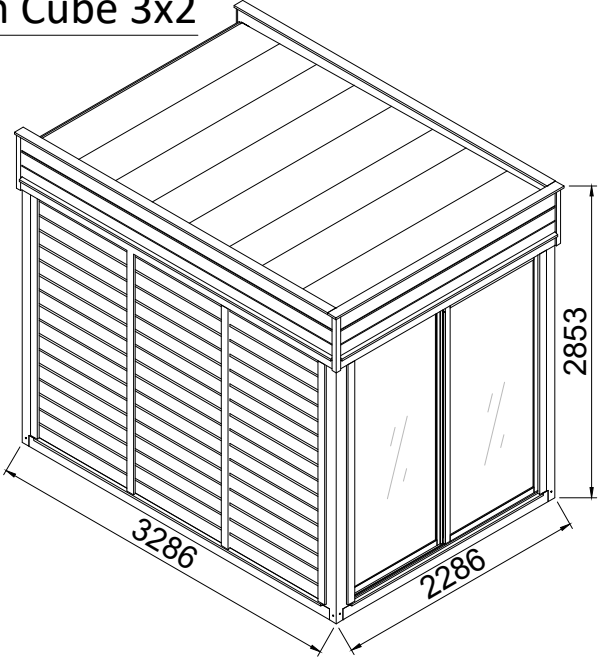
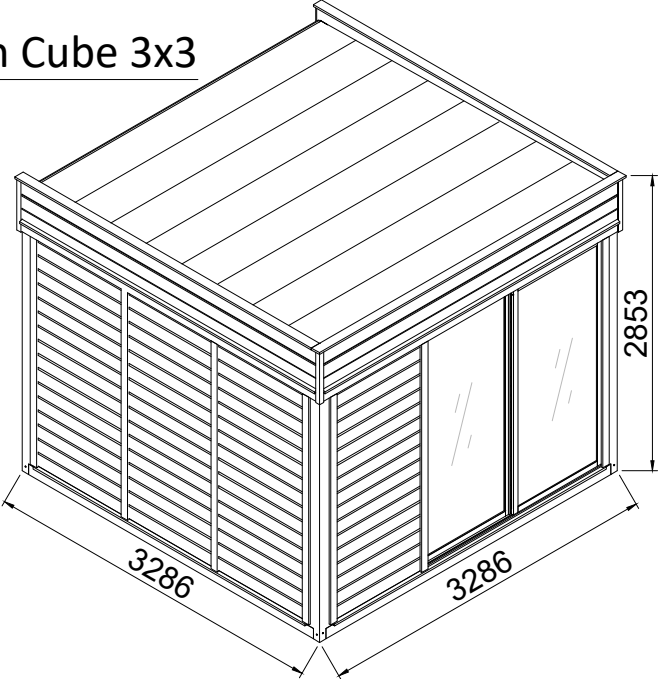


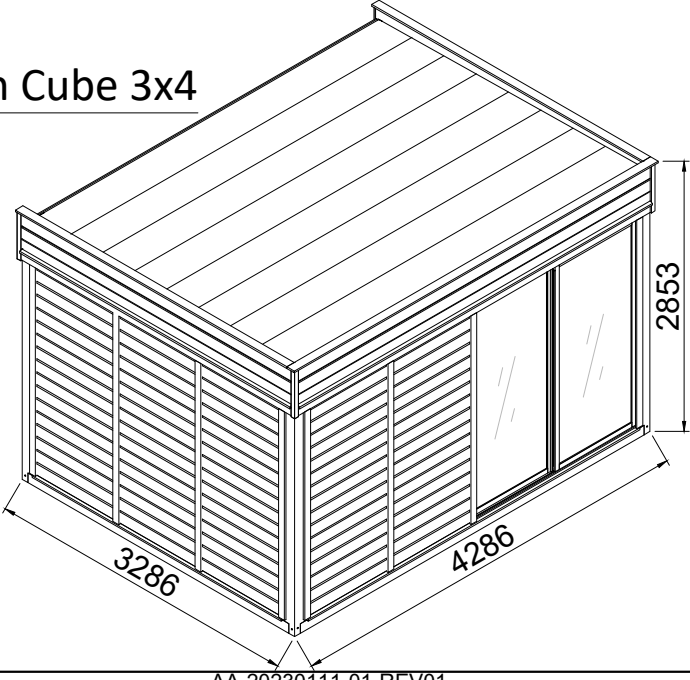
Cube-Garden Cube 3x2



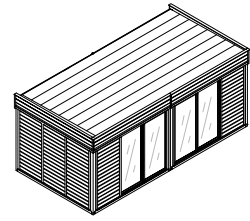
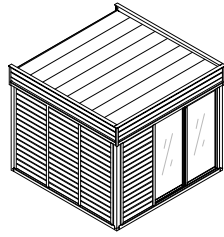
Cube-Garden Cube 3x3



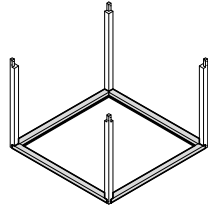
Cube-Garden Cube 3x4



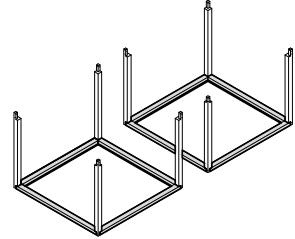
Stages of assembly



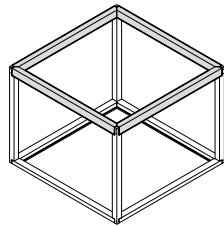
1. Step:
Floor beams
with columns



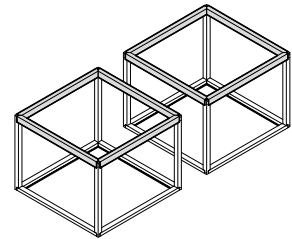
1. Step:
Floor beams
with columns



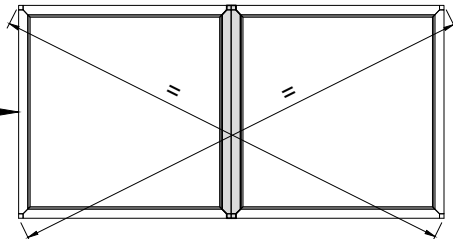
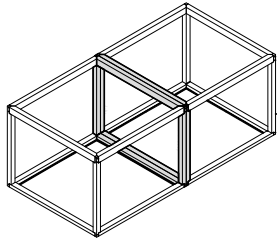
2. Step:
Roof beams



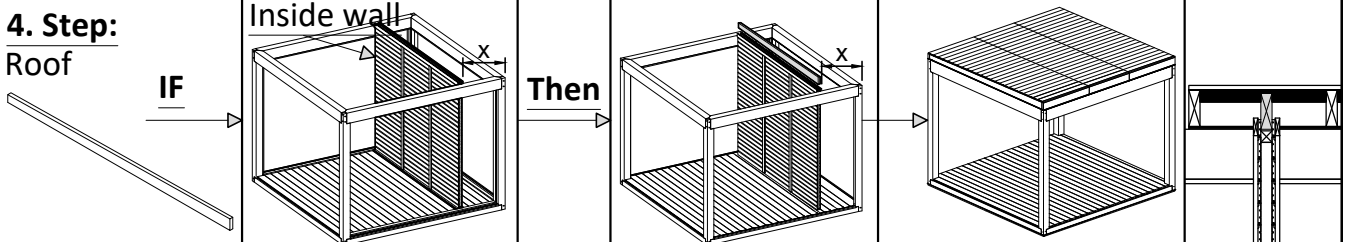
2. Step:
Roof beams



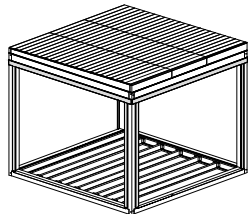
3. Step:
Join beams



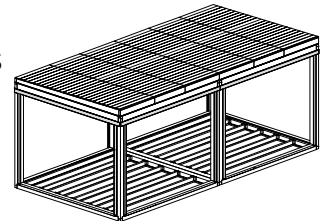
4. Step:
Roof



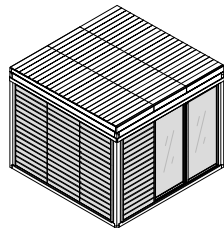
5. Step:
Walls supports



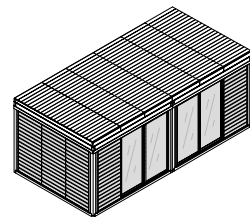
5. Step:
Walls supports



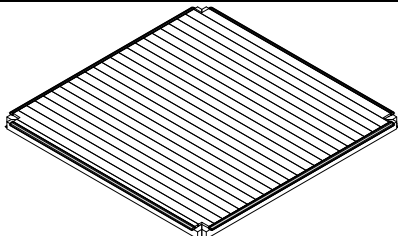
6. Step:
Walls



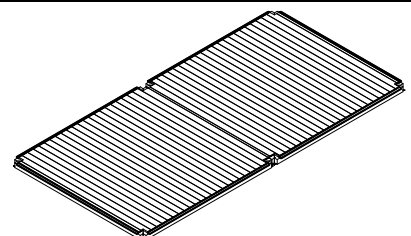
6. Step:
Walls



7. Step:
Floor



7. Step:
Floor



Cube-Garden Cube 3x2/3x3/3x4

It is very important to have a proper foundation.

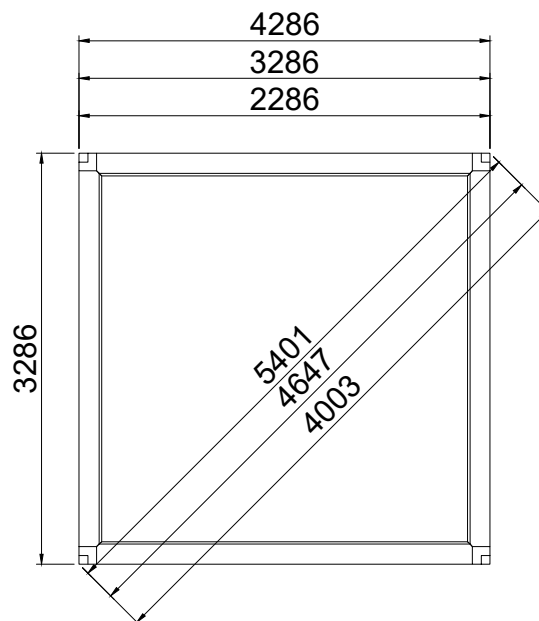
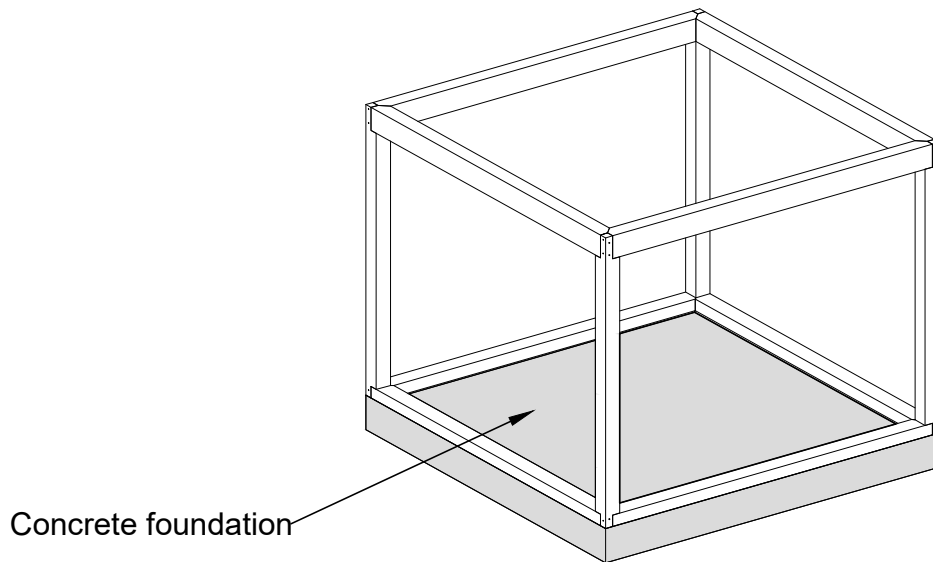
Therefore we recommend making the foundation according to the sketches here. First of all, foundation must be prepared according to the landscape and ground conditions.

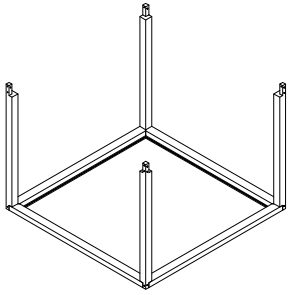
The foundation under the product must be prepared specially, it must be homogeneous, tight and equal. It must be ensured that it will not change its properties. We recommend using concrete foundation. Before installation of product, we recommend to make hydro isolation of foundation.

Consult a local qualified builder or an engineer to prepare a proper foundation, which fits to your location.

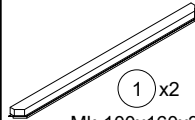
Due to improper foundation, cracks in the structures may occur. Due to uneven product seating, the geometric shape of the product may change, which can result in door / window twist, or/and gap may appear. And in the worst case product's collapse.

If you do not follow recommendation, product will lose its warranty.

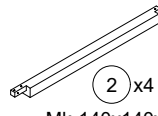




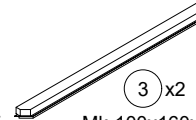
1. Cube-Garden Cube 3x2 Frame



① x2
Mk-100x160x3146-F



② x4
Mk-140x140x2535-F

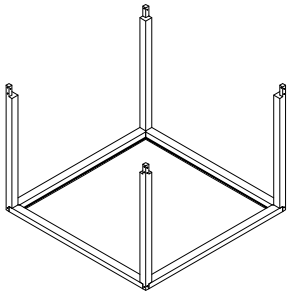


③ x2
Mk-100x160x2146-F

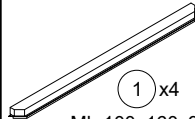


④ x24
T-GC-8x200

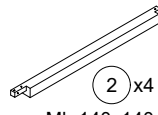
OR



1. Cube-Garden Cube 3x3 Frame



① x4
Mk-100x160x3146-F

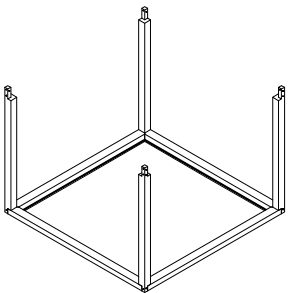


② x4
Mk-140x140x2535-F

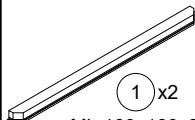


④ x24
T-GC-8x200

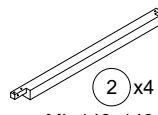
OR



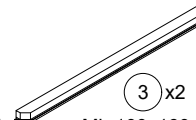
1. Cube-Garden Cube 3x4 Frame



① x2
Mk-100x160x3146-F



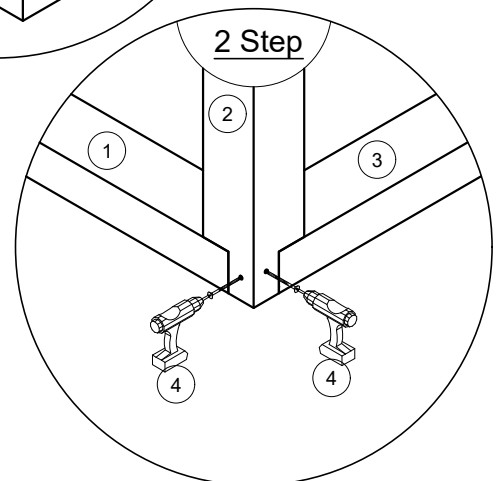
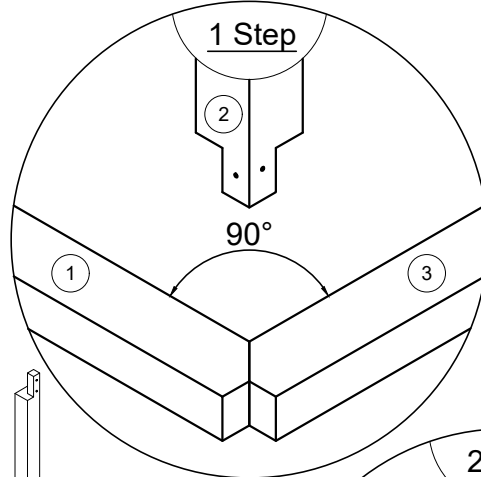
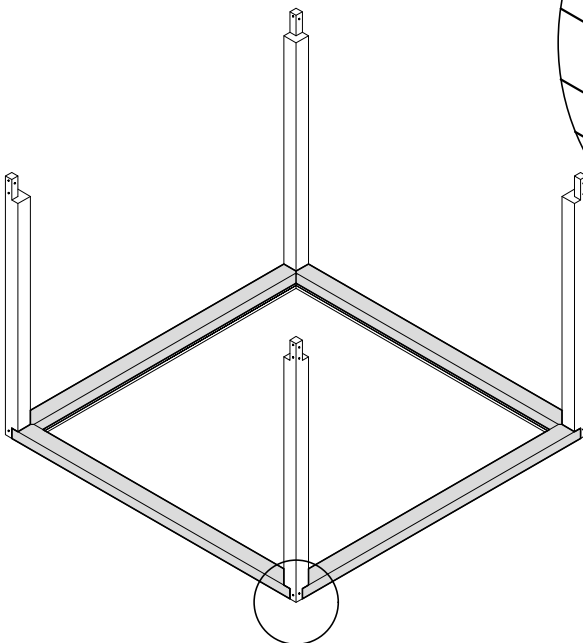
② x4
Mk-140x140x2535-F

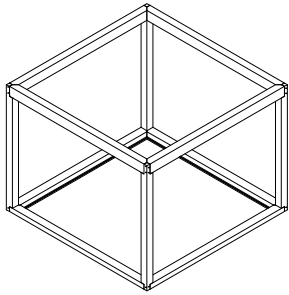


③ x2
Mk-100x160x4146-F

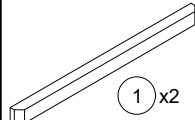


④ x24
T-GC-8x200

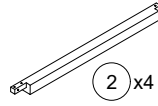




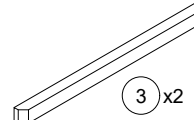
2. Cube-Garden Cube 3x2 TOP FRAME



① x2
Mk-200x140x3146-F



② x4
Mk-140x140x2535-F

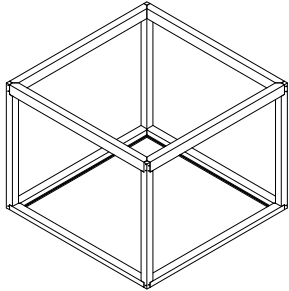


③ x2
Mk-200x140x2146-F

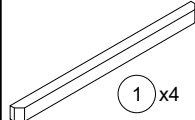


④ x24
T-GC-8x200

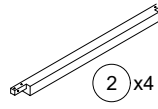
OR



2. Cube-Garden Cube 3x3 TOP FRAME



① x4
Mk-200x140x3146-F

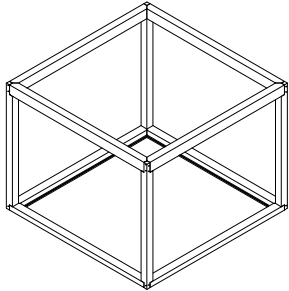


② x4
Mk-140x140x2535-F

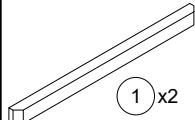


④ x24
T-GC-8x200

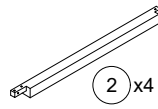
OR



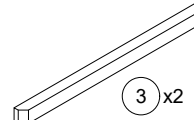
2. Cube-Garden Cube 3x4 TOP FRAME



① x2
Mk-200x140x3146-F



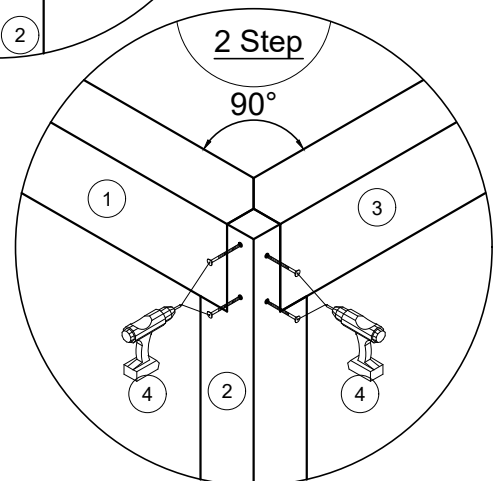
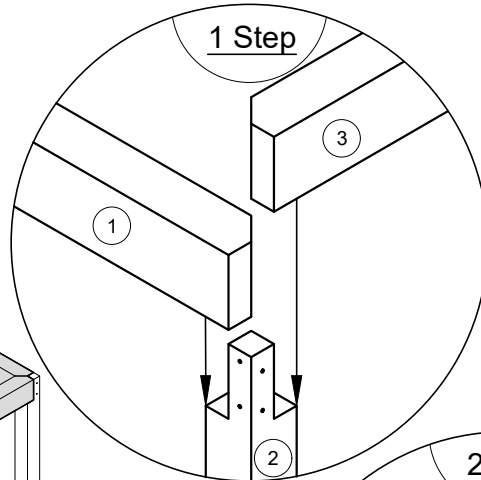
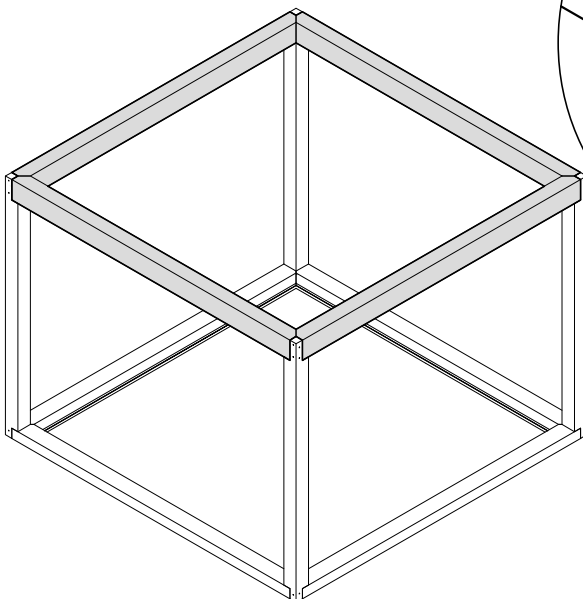
② x4
Mk-140x140x2535-F

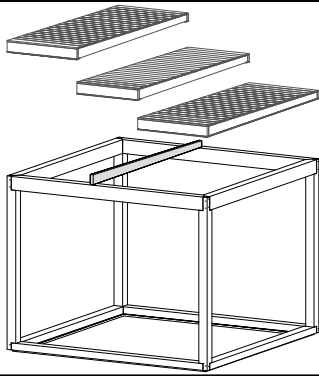


③ x2
Mk-200x140x4146-F

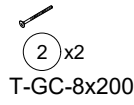
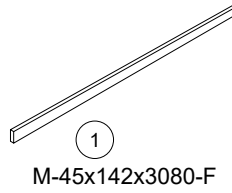


④ x24
T-GC-8x200

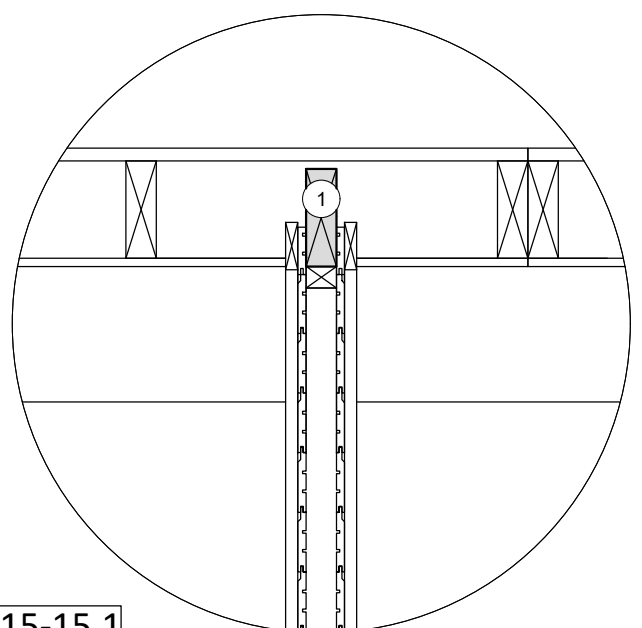
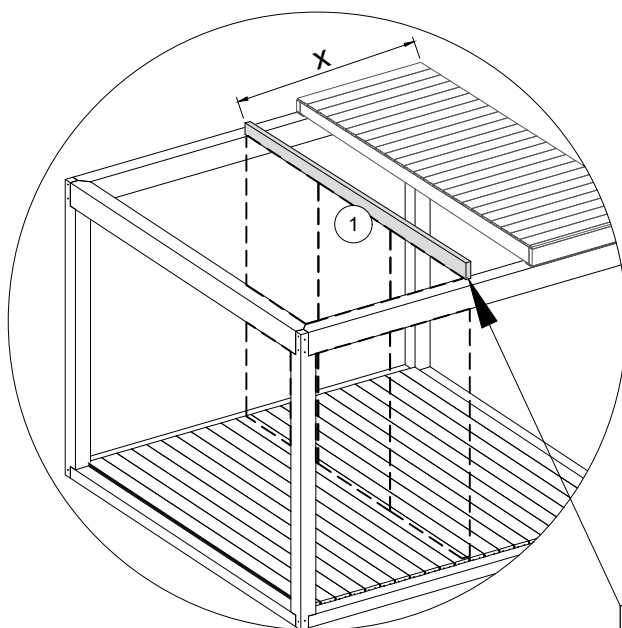
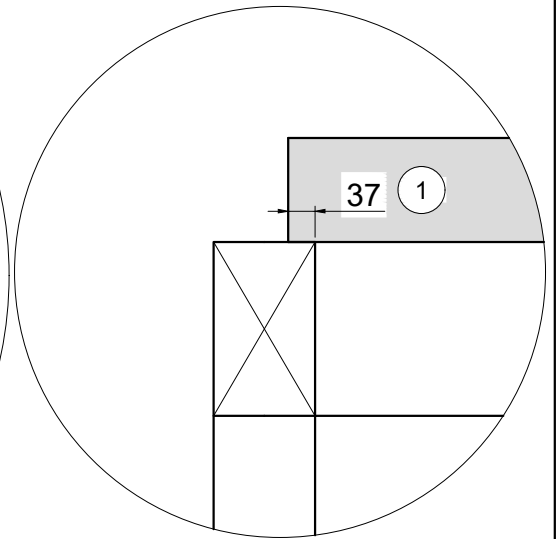
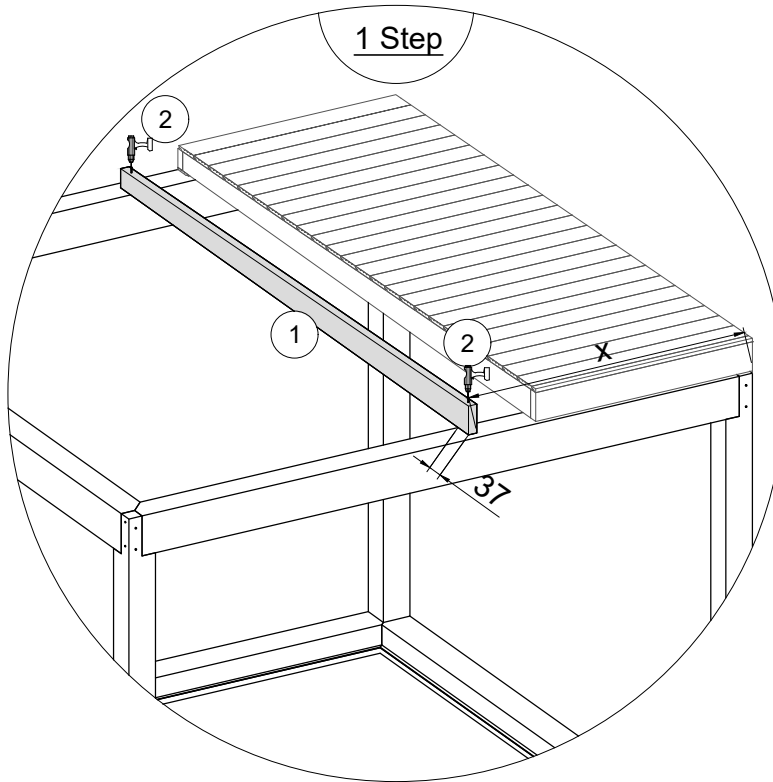




3. Cube-Garden Cube 3x2/3x3/3x4 ROOF

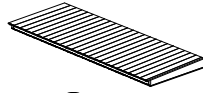
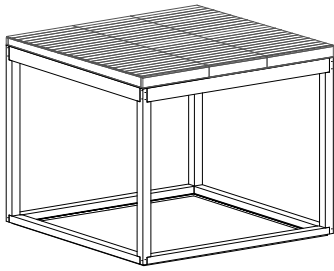


IMPORTANT !!!
This detail is for the
internal partition when the
roofs are not insulated.



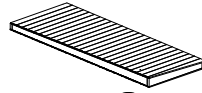
15-15.1

3.1 Cube-Garden Cube 3x3 ROOF



①

C-3x3-stog-1143x3285-(K)
C-I-3x3-stog-1143x3285-(K)



②

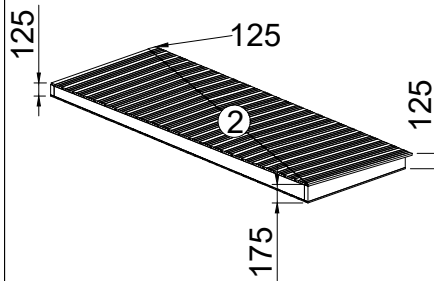
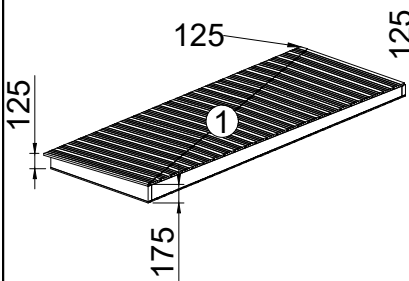
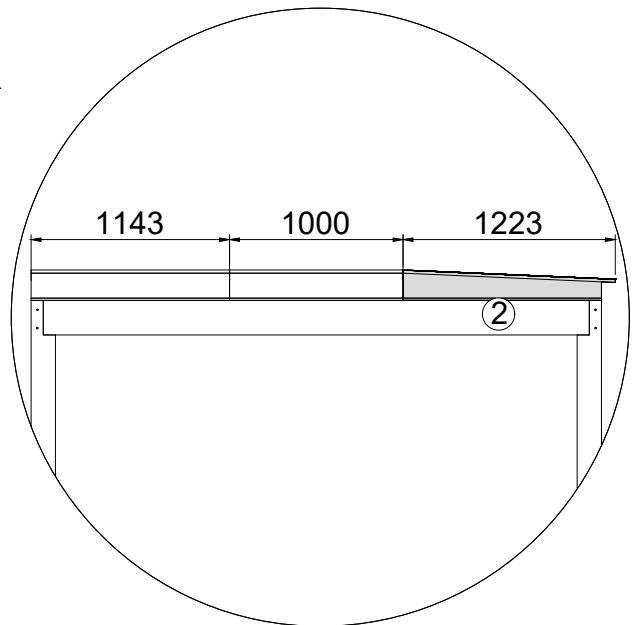
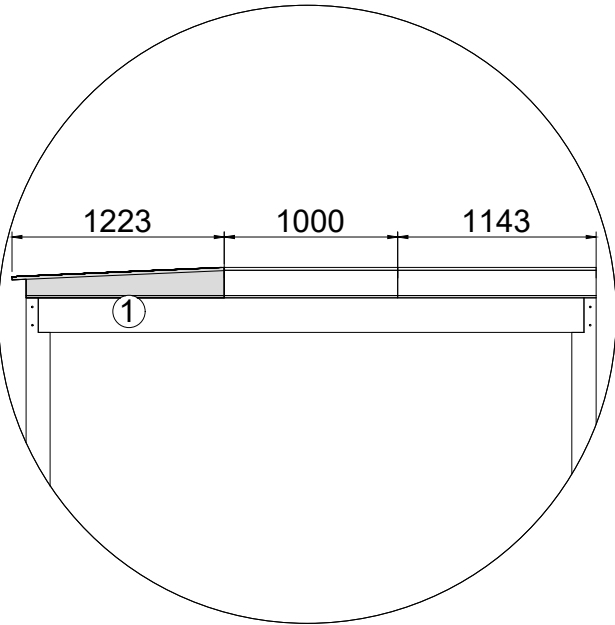
C-3x3-stog-1143x3285-(D)
or
C-I-3x3-stog-1143x3285-(D)



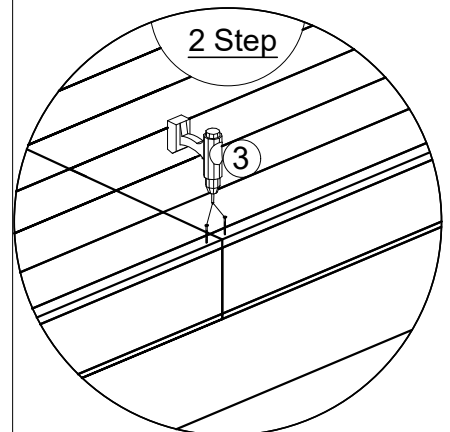
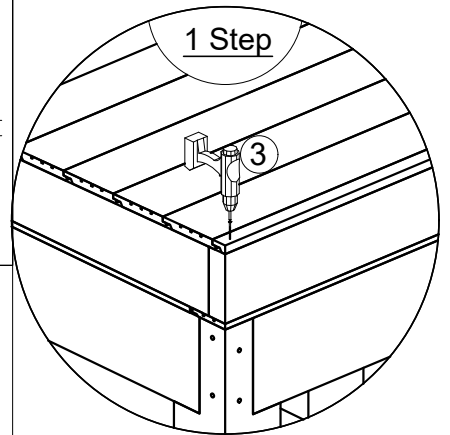
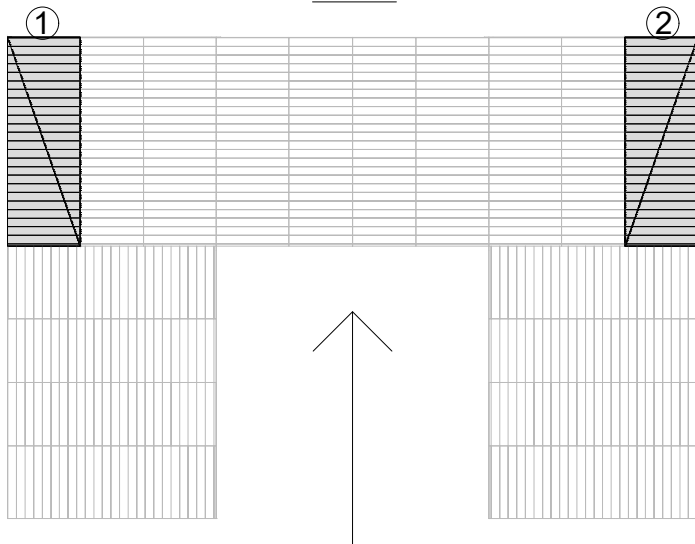
③

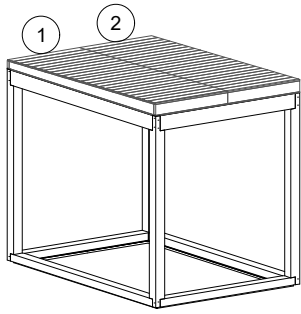
T-GC-8x200

OR

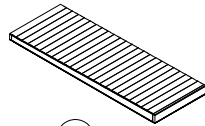


Plan



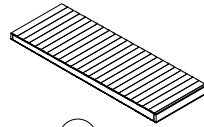


3.2 Cube-Garden Cube 3x2 ROOF



1 x1

C-3x2-stog-1143x3285-(k)
or
C-l-3x2-stog-1143x3285-(k)



2 x1

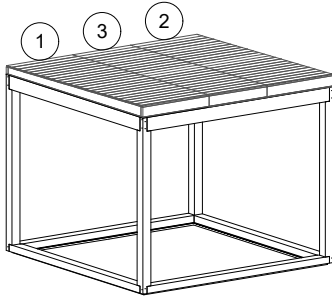
C-3x2-stog-1143x3285-(d)
or
C-l-3x2-stog-1143x3285-(d)



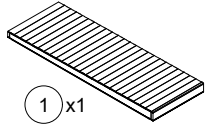
4 x12

T-GC-8x200

OR

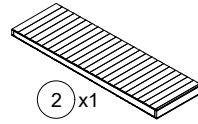


3. Cube-Garden Cube 3x3 ROOF



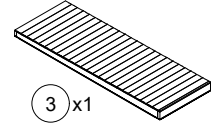
1 x1

C-3x3-stog-1143x3285-(k)
or
C-l-3x3-stog-1143x3285-(k)



2 x1

C-3x3-stog-1143x3285-(d)
or
C-l-3x3-stog-1143x3285-(d)



3 x1

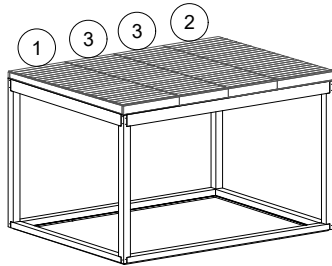
C-3x3-stog-1000x3285
or
Cl-3x3-stog-1000x3285



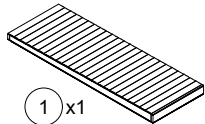
4 x15

T-GC-8x200

OR

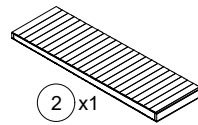


3. Cube-Garden Cube 3x4 ROOF



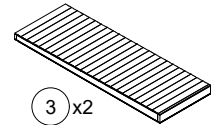
1 x1

C-3x4-stog-1143x3285-(k)
or
C-l-3x4-stog-1143x3285-(k)



2 x1

C-3x4-stog-1143x3285-(d)
or
C-l-3x4-stog-1143x3285-(d)



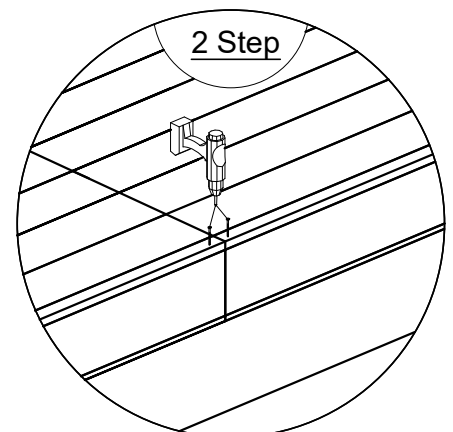
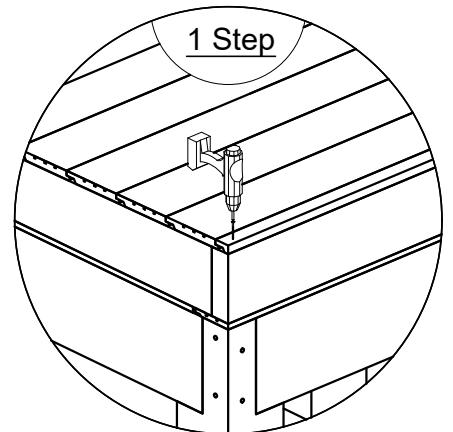
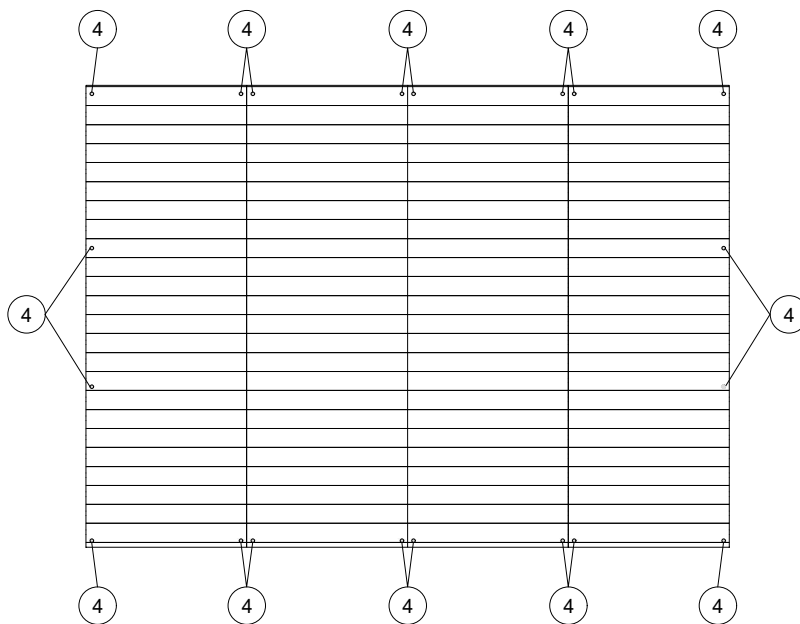
3 x2

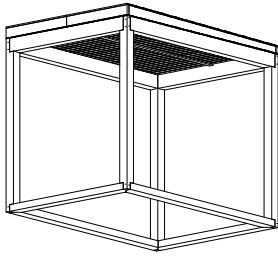
C-3x4-stog-1000x3285
or
C-l-3x4-stog-1000x3285



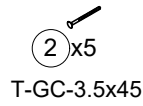
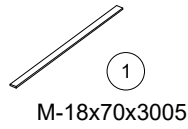
4 x20

T-GC-8x200

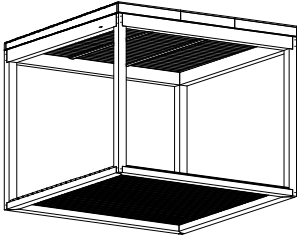




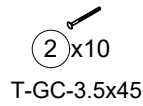
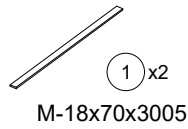
3.3 Cube-Garden Cube 3x2 ROOF INSIDE SUPPORTS



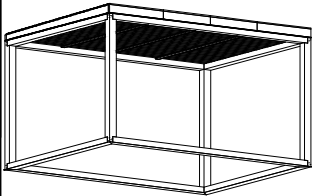
OR



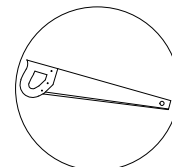
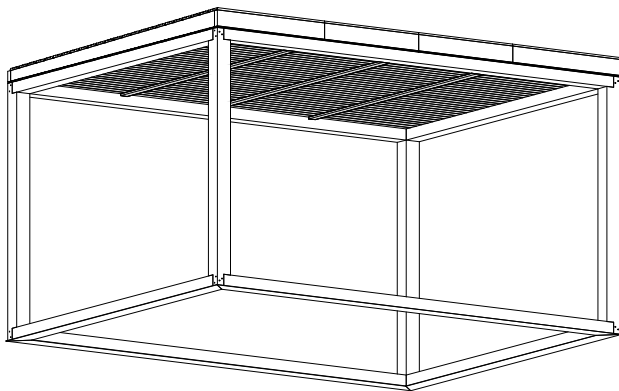
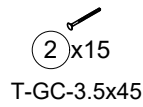
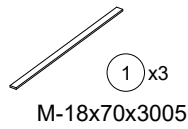
3.3 Cube-Garden Cube 3x3 ROOF INSIDE SUPPORTS



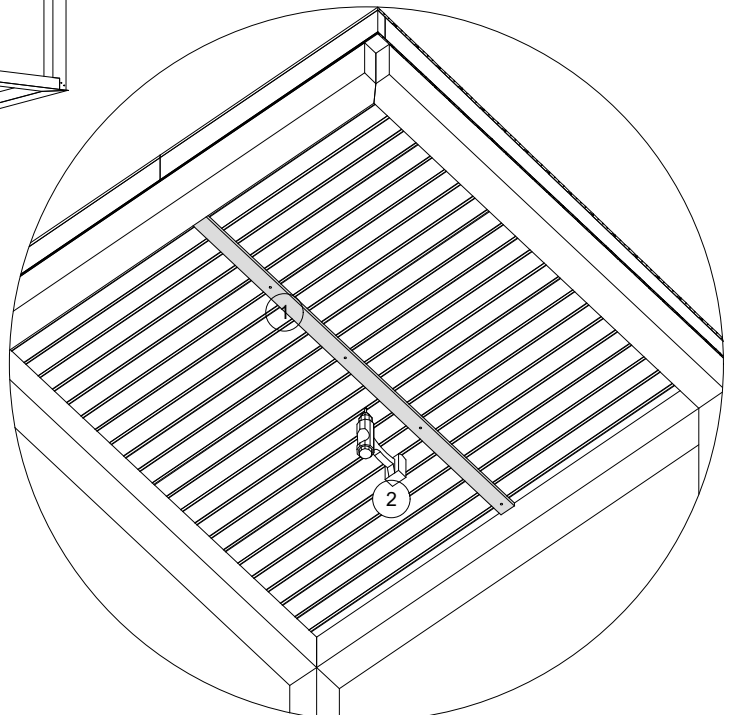
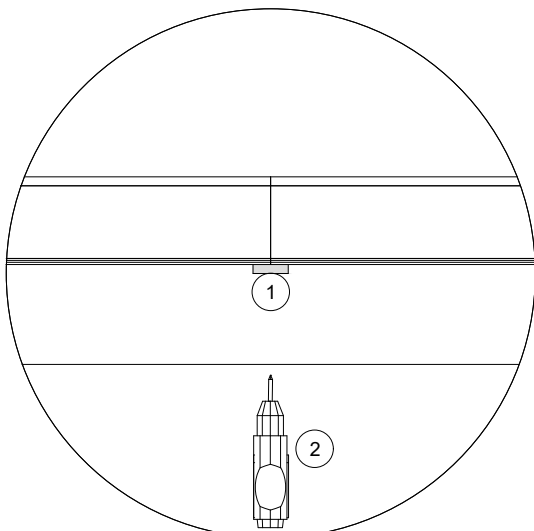
OR

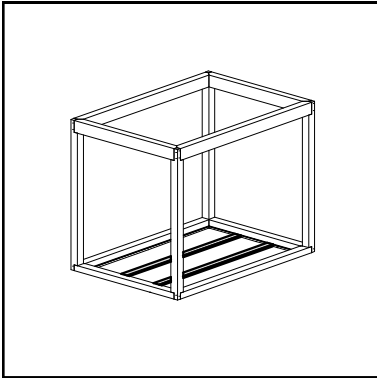


3.3 Cube-Garden Cube 3x4 ROOF INSIDE SUPPORTS

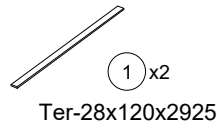


Užklijuojamas lipdukas

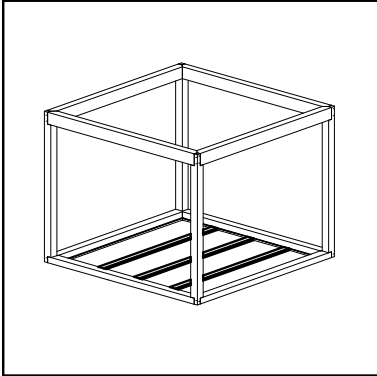




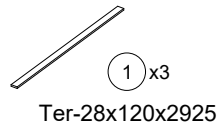
4. Cube-Garden Cube 3x2/3x3/3x4
FLOOR



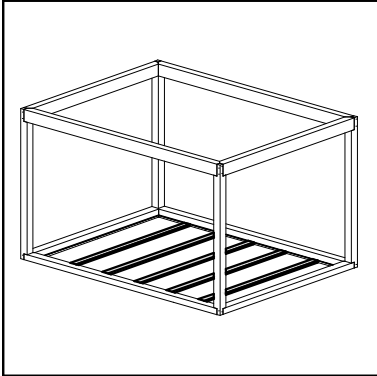
OR



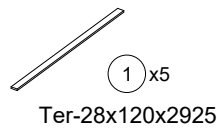
4. Cube-Garden Cube 3x2/3x3/3x4
FLOOR



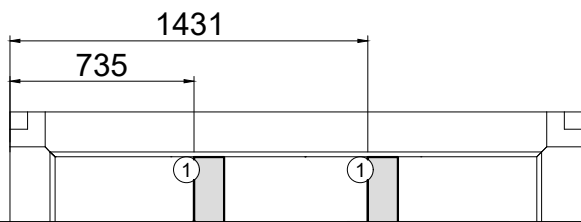
OR



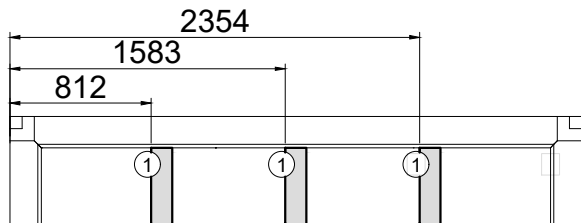
4. Cube-Garden Cube 3x2/3x3/3x4
FLOOR



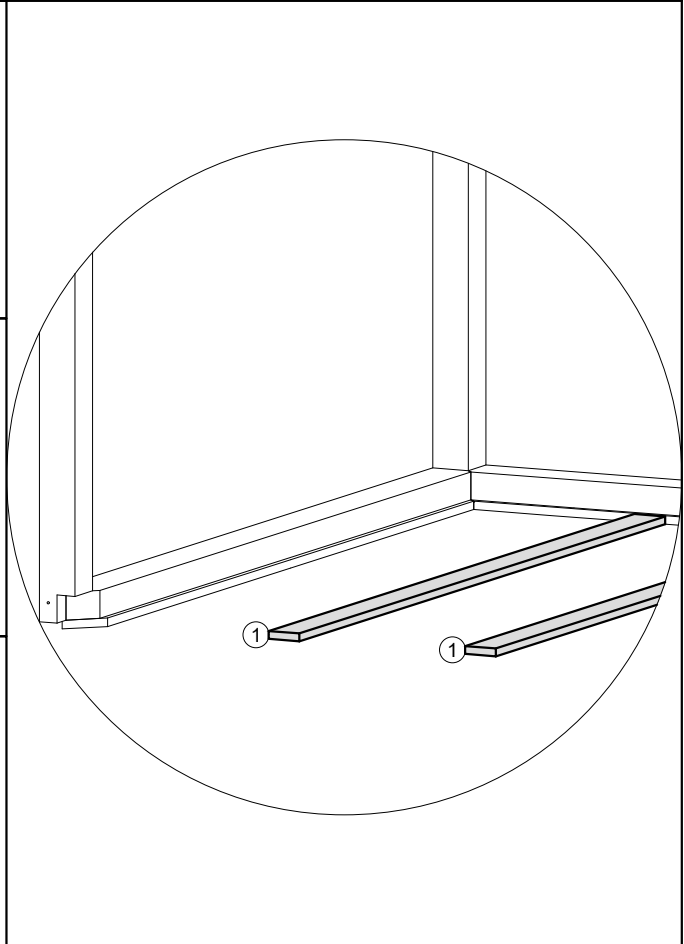
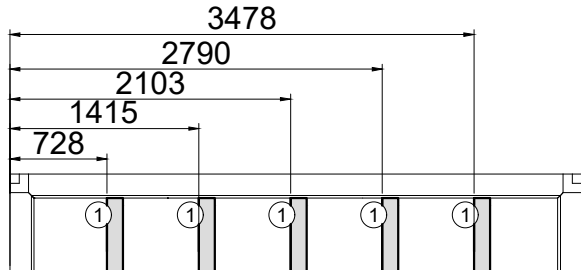
Cube 3x2



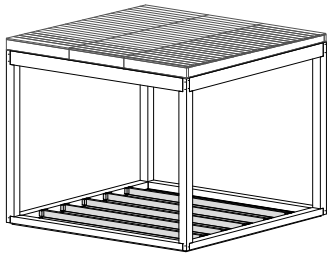
Cube 3x3



Cube 3x4



4.1 Cube-Garden Cube 3x2/3x3/3x4 FLOOR



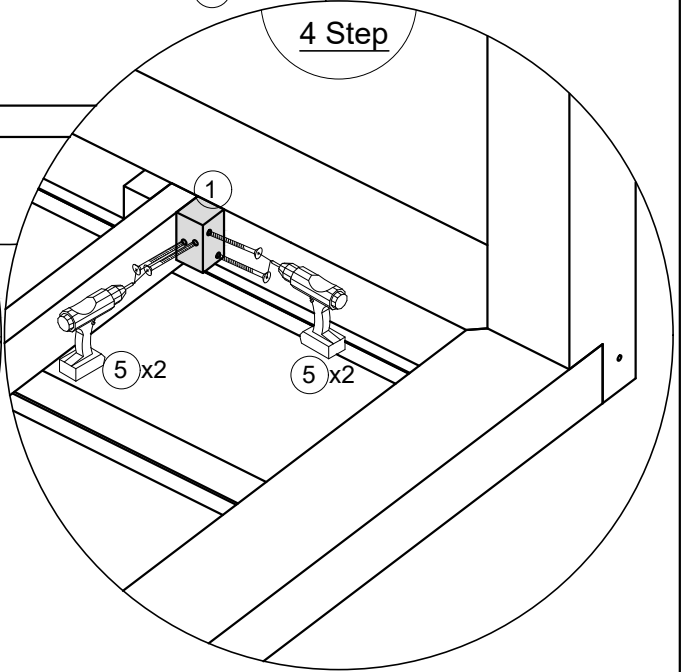
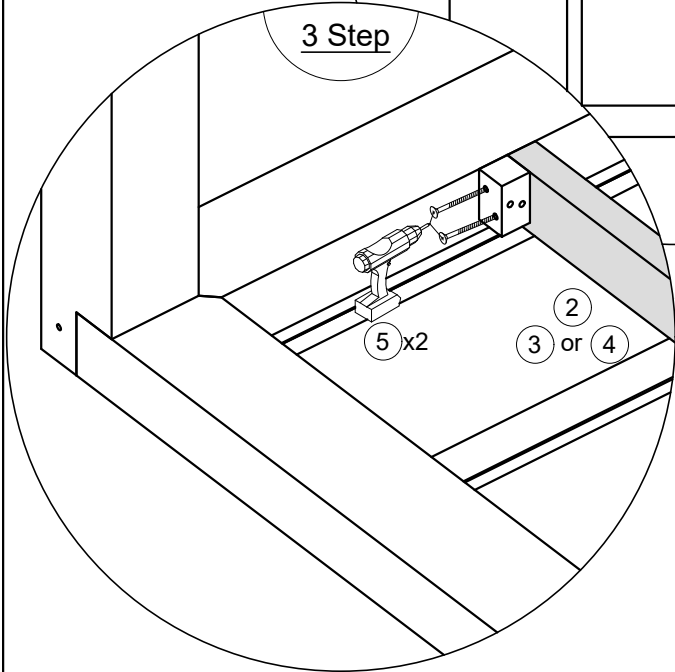
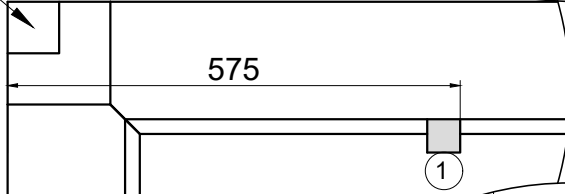
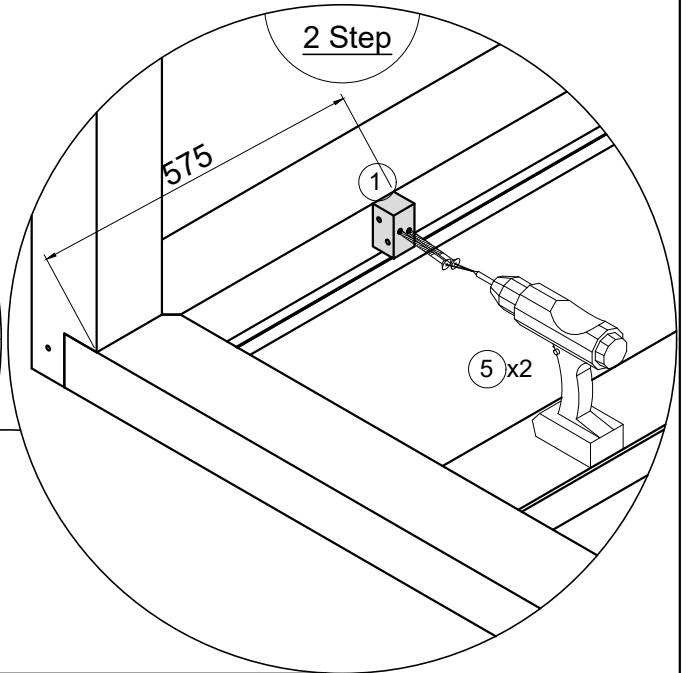
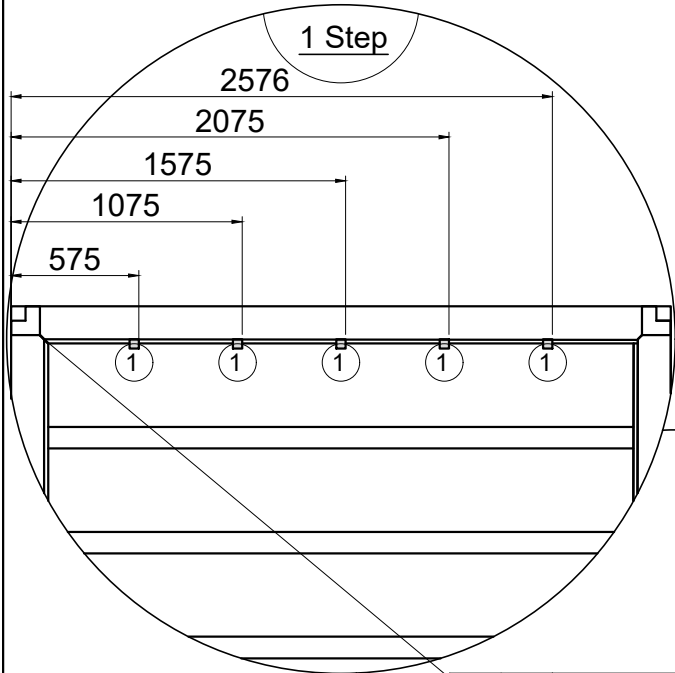
① x20
M-45x45x80

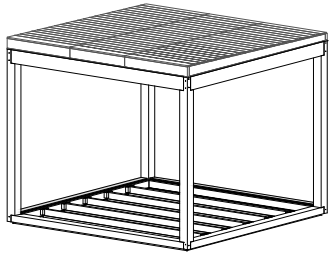
② x5
M-45x95x1966(3x2)

③ x5
M-45x95x2966(3x3)

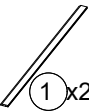
④ x5
M-45x95x3966(3x4)

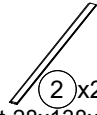
⑤ x80
T-BC-4x70

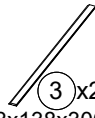


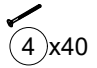


5. Cube-Garden Cube 3x2/3x3/3x4 FLOOR

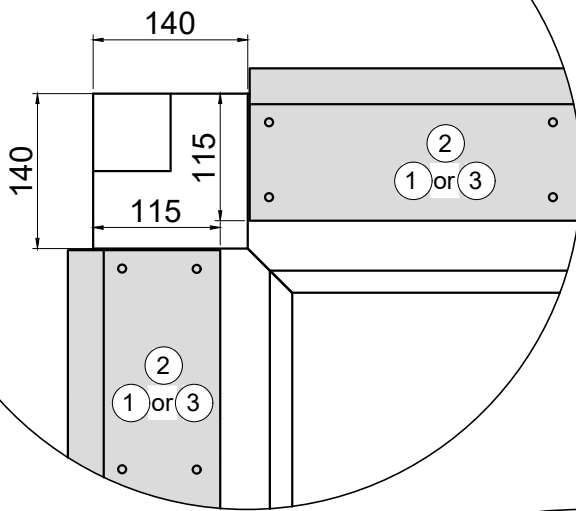
 **1** x2
 Spunt-28x138x2003-F(3x2-2Pcs.)
 and
 Spunt-28x138x3003-F(3x2-2Pcs.)

 **2** x2
 Spunt-28x138x3003-F(3x3-4Pcs.)

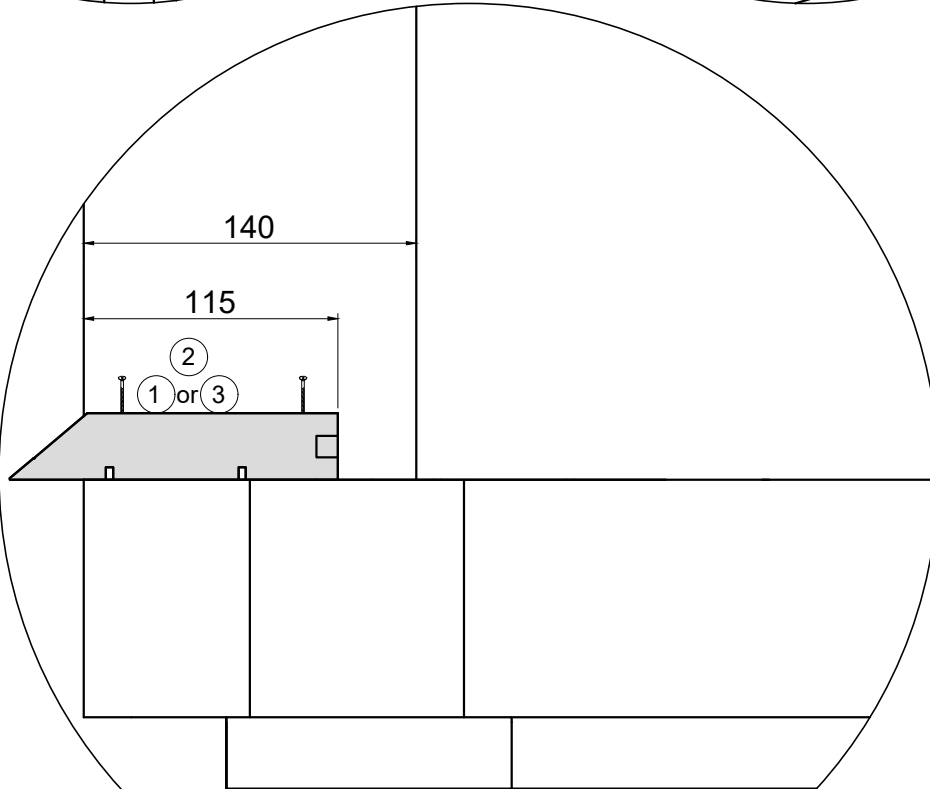
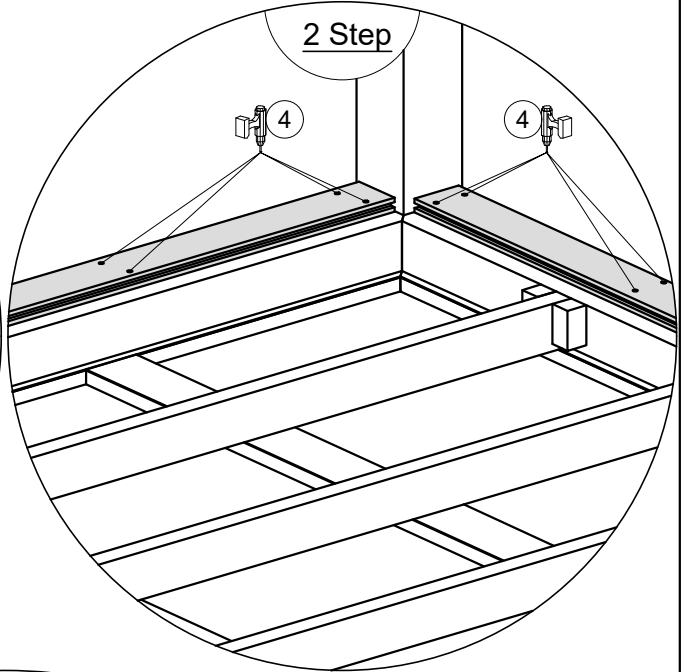
 **3** x2
 Spunt-28x138x3003-F(3x4-2Pcs.)
 and
 Spunt-28x138x4003-F(3x4-2Pcs.)

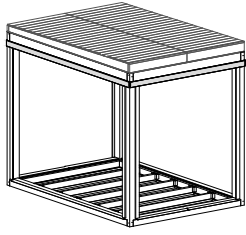
 **4** x40
 T-GC-3.5x45
 or
 T-GC-3.5x45(3x3-48Pcs.)
 or
 T-GC-3.5x45(3x4-56Pcs.)

1 Step

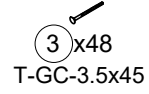
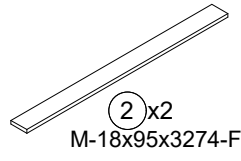
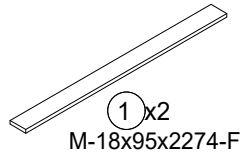


2 Step

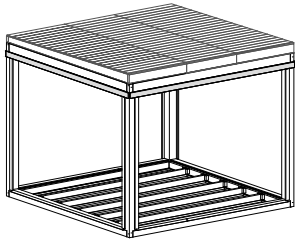




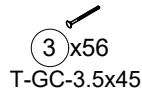
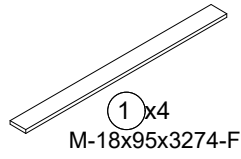
6. Cube-Garden Cube 3x2
WALLS SUPPORTS



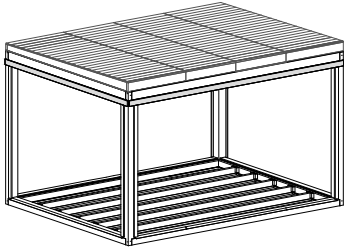
OR



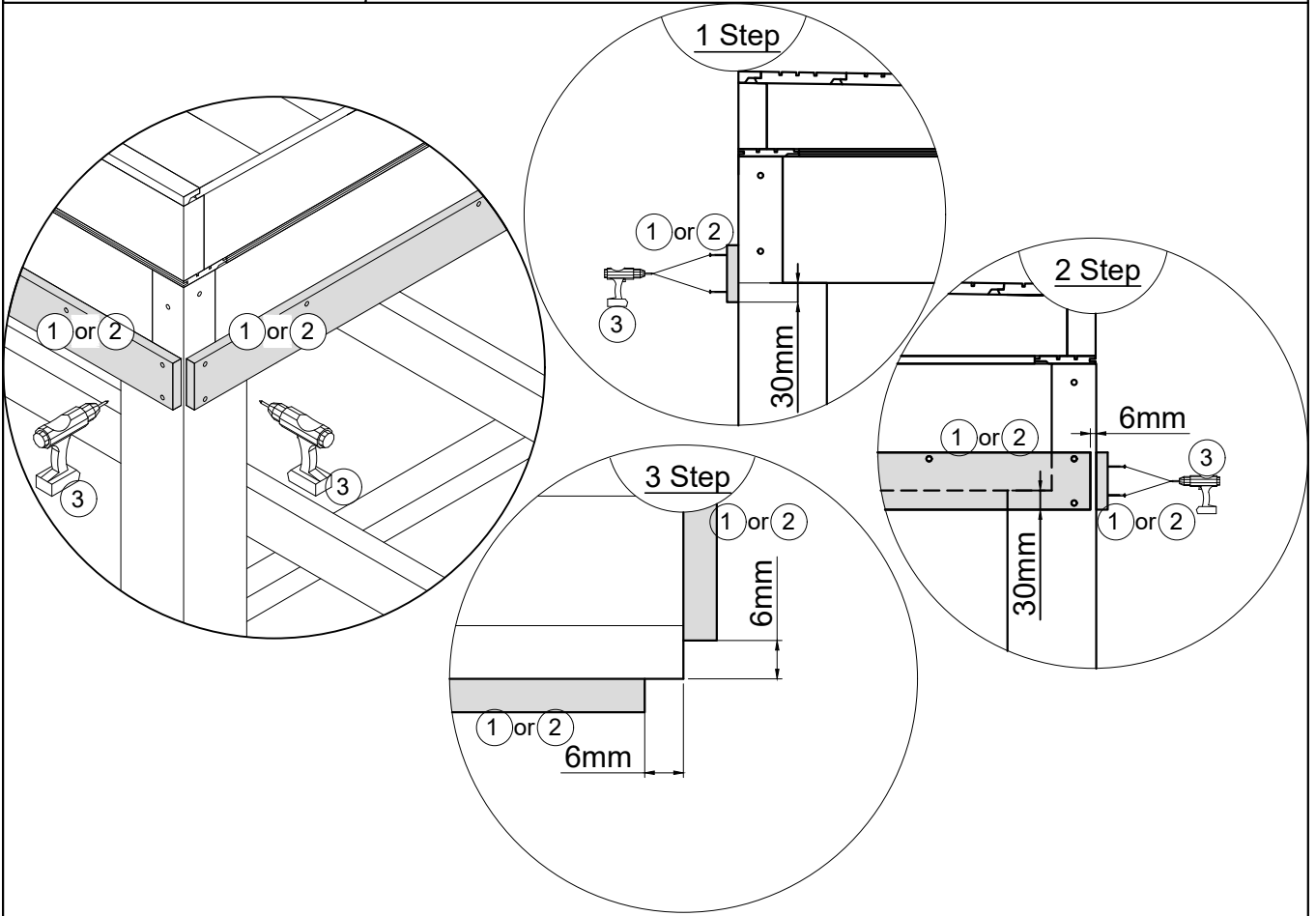
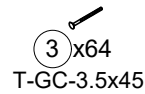
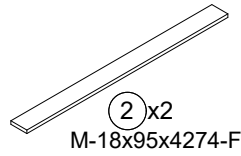
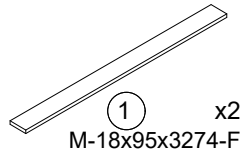
5. Cube-Garden Cube 3x3
WALLS SUPPORTS



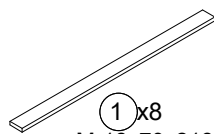
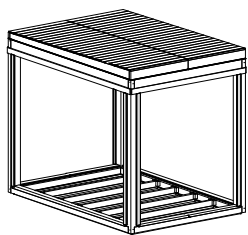
OR



5. Cube-Garden Cube 3x4
WALLS SUPPORTS



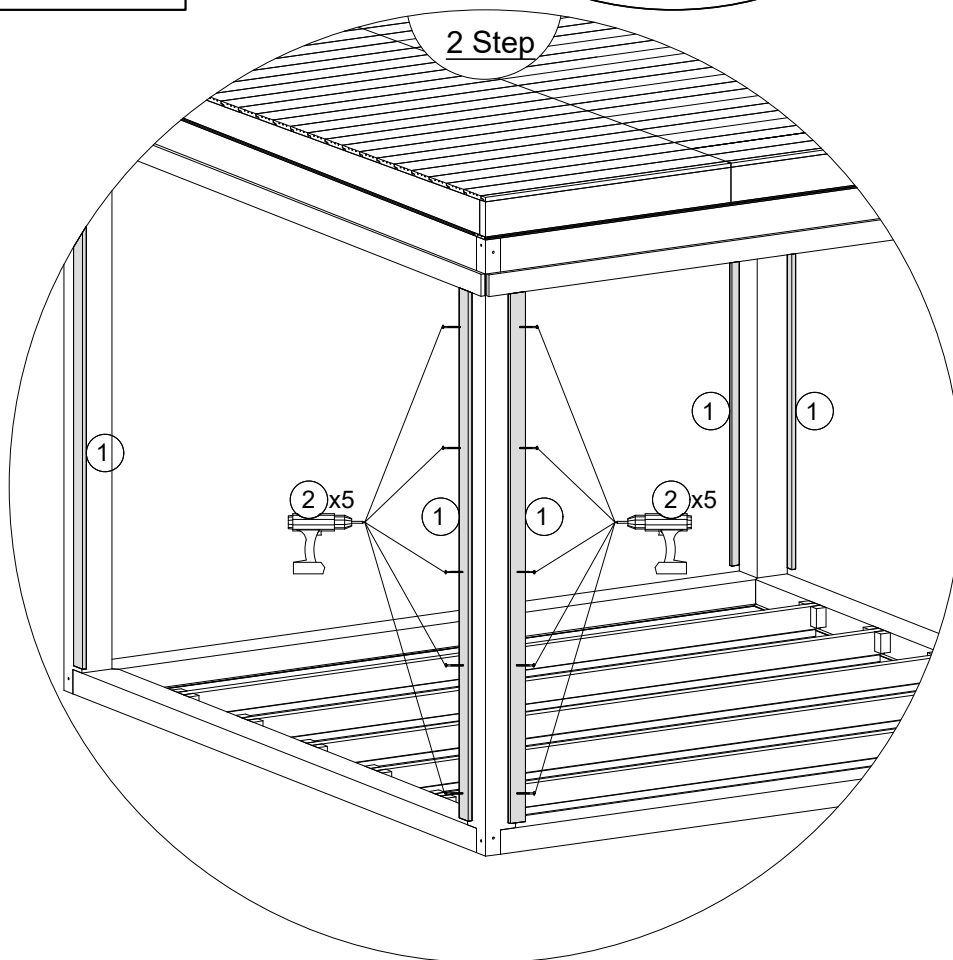
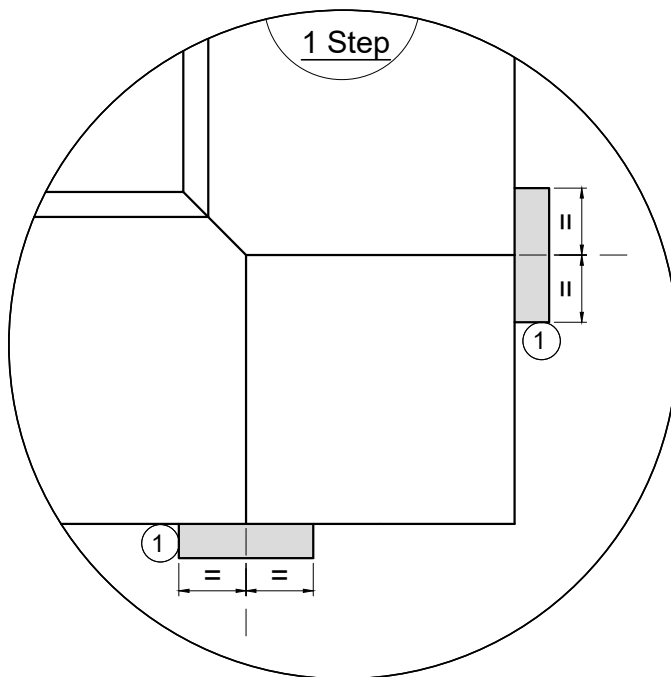
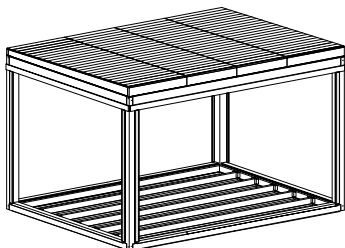
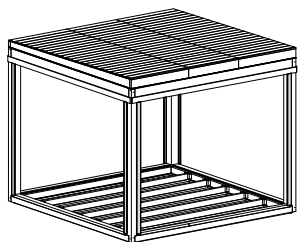
7. Cube-Garden Cube 3x2/3x3/3x4 WALLS SUPPORTS



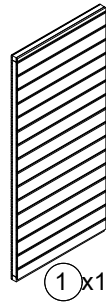
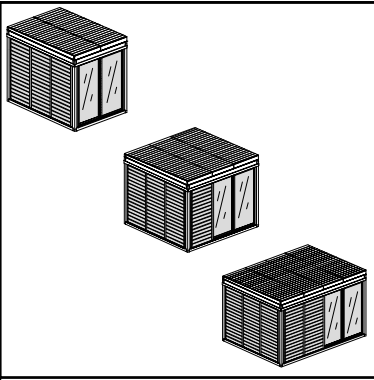
① x8
M-18x70x2182



② x40
T-GC-3.5x45

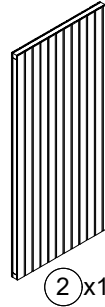


8. Cube-Garden Cube 3x2/3x3/3x4 WALLS CONNECTIONS



C-PUS00090-V
or
C-I-PUS00090-H
or
OTHER

OR

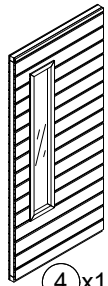


C-PUS00090-V
or
C-STIFPW01-H
or
OTHER

OR



C-STIFPW02-V
or
C-I-STIFPW02-H
or
OTHER



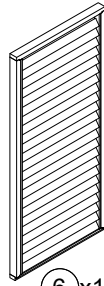
C-STIFPW03-V
or
C-I-STIFPW03-H
or
OTHER

OR



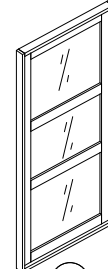
C-PUS00075
or
C-PUS00075-II
or
OTHER

OR

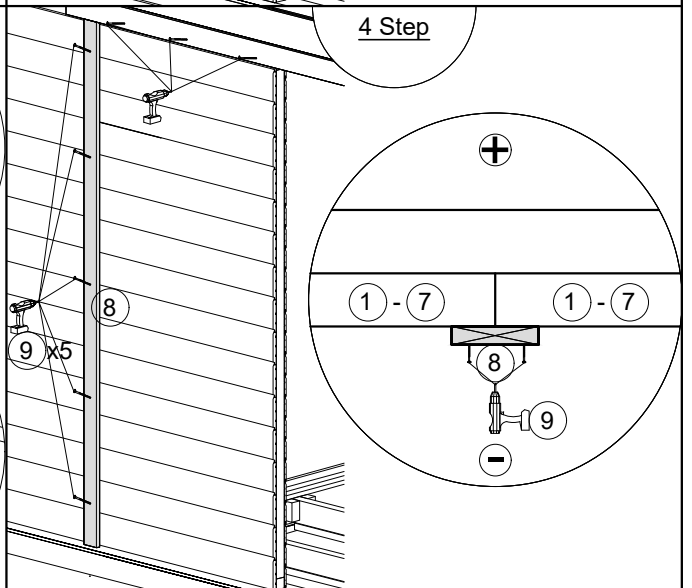
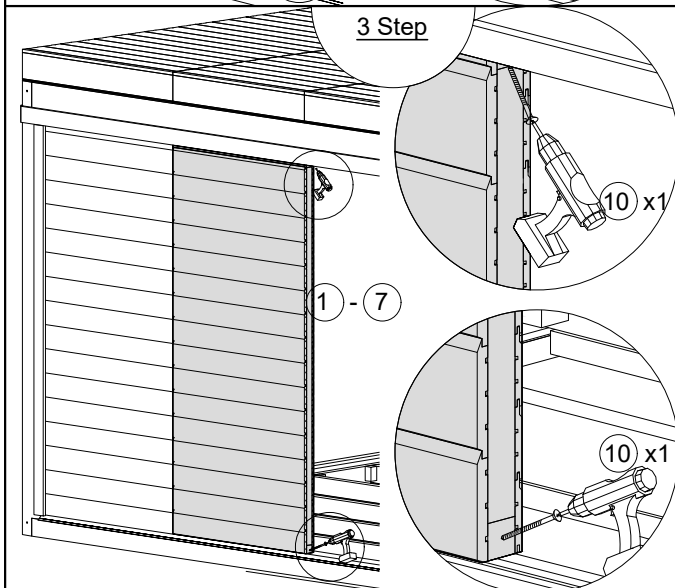
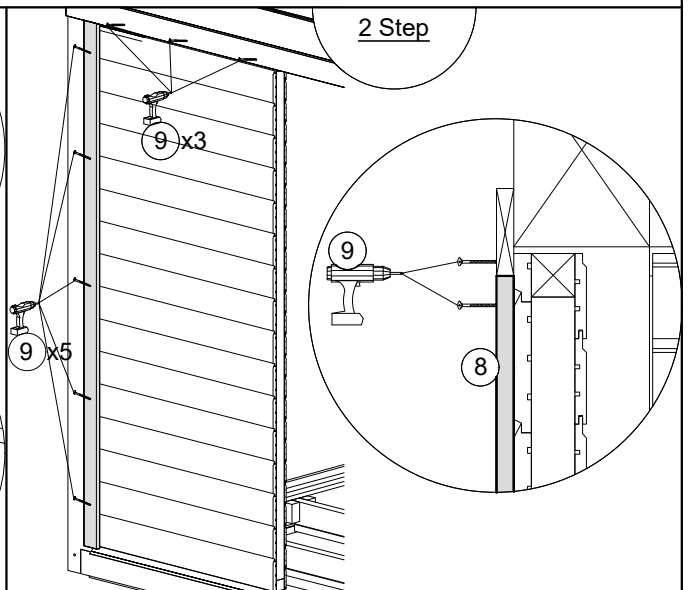
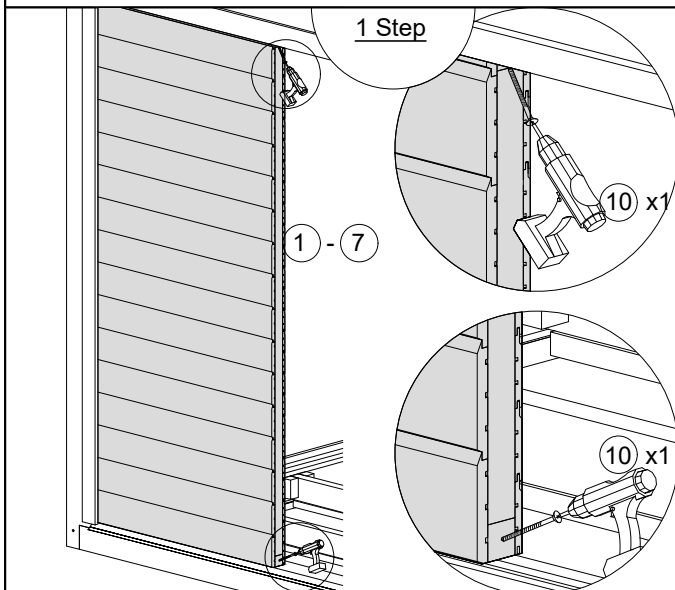
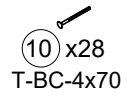
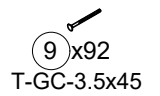
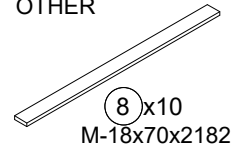


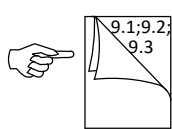
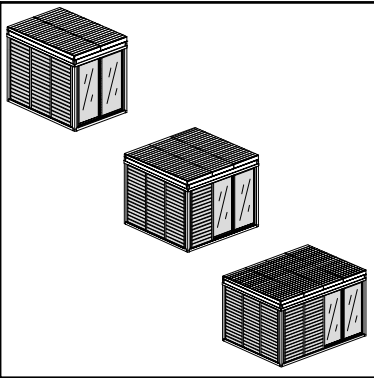
C-PUS00086
or
C-PUS0008901
or
OTHER

OR

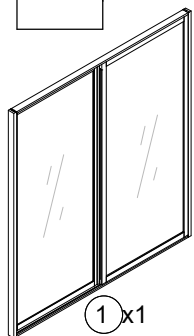


C-PUS00089
or
C-PUS00312
or
C-PUS00313
or
C-PUS00314
or
OTHER



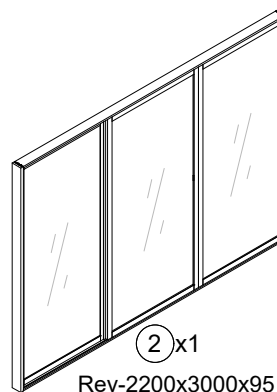


9. Cube-Garden Cube 3x2/3x3/3x4 SLIDING SYSTEM CONNECTIONS

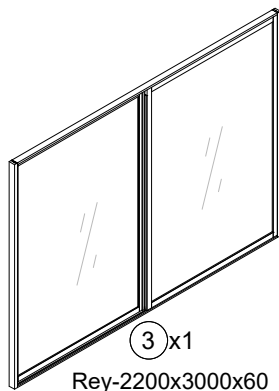


1 x1
Al-2200x2000x60
or
Rey-2200x2000x60

OR

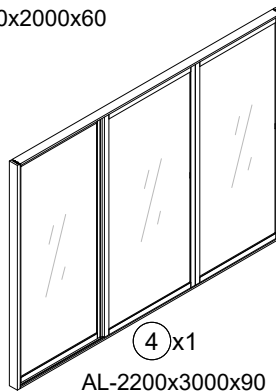


2 x1
Rey-2200x3000x95



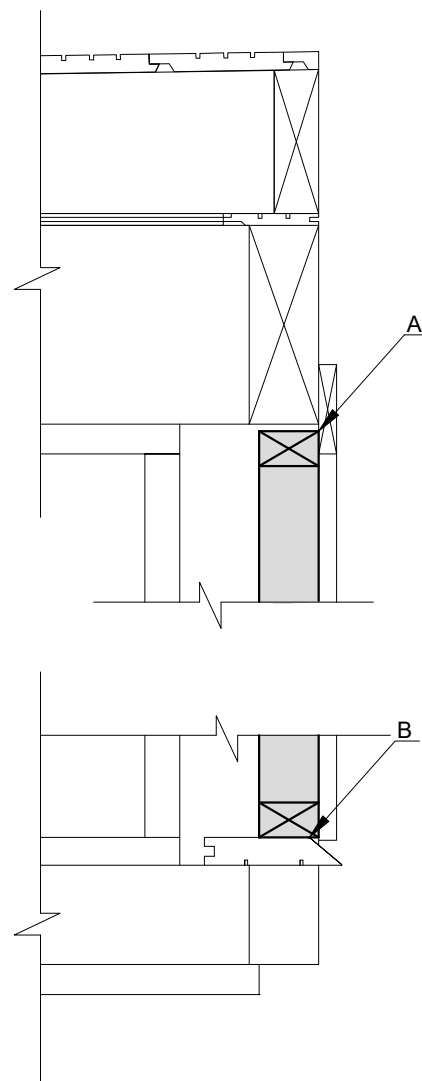
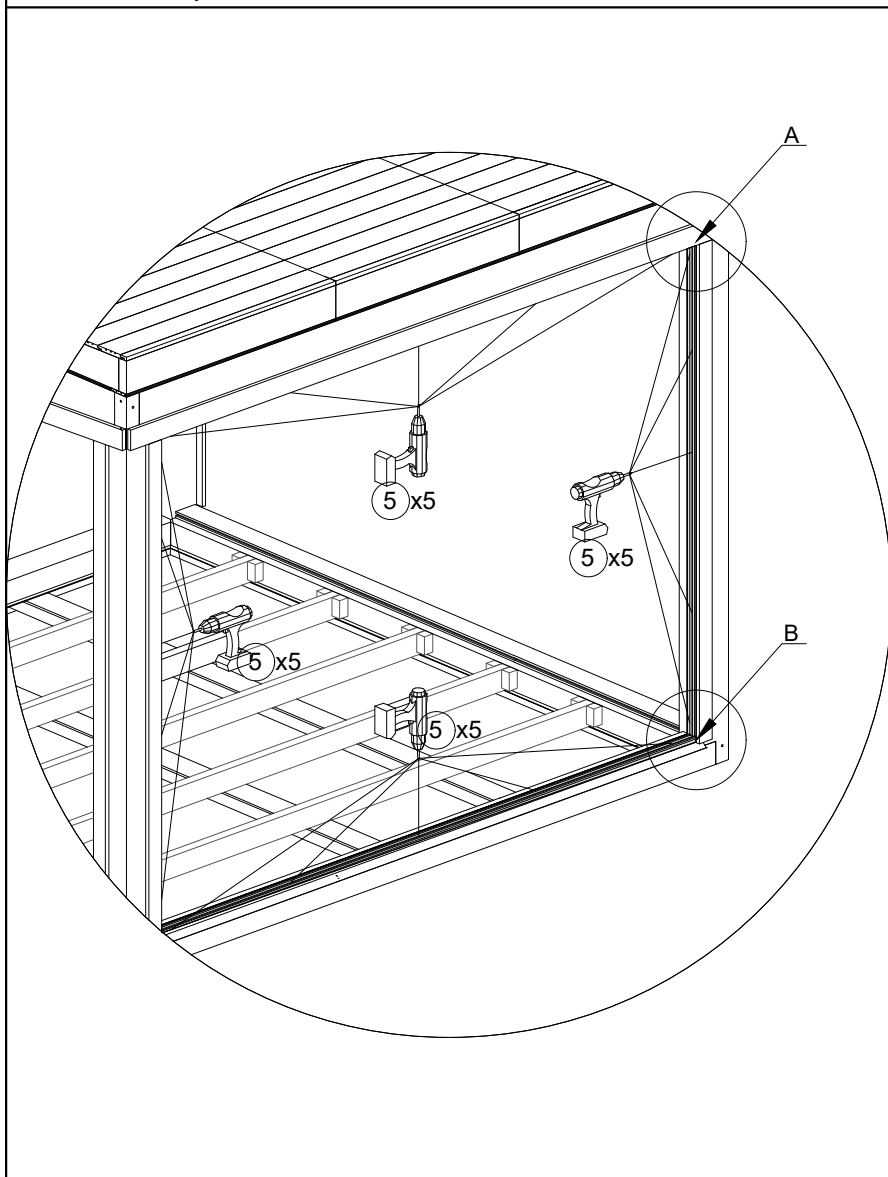
3 x1
Rey-2200x3000x60

OR



4 x1
AL-2200x3000x90

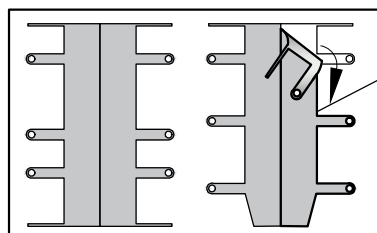
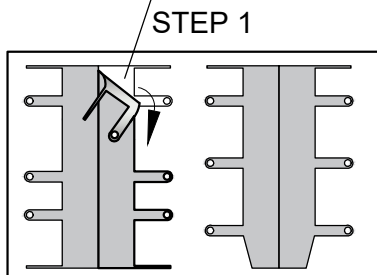
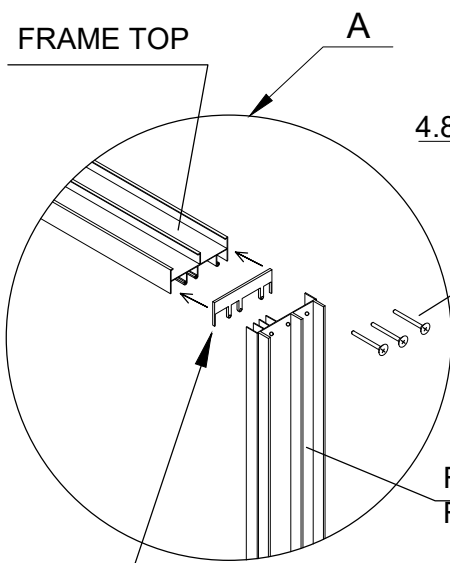
5 x20
T-BC-4x50



9.1 SLIDING SYSTEM ASSEMBLY 3m

1 x1

Rey-2200x3000x95
or
Rey-2200x3000x60
or
AL-2200x3000x90



STEP 1

STEP 2
4.8x32

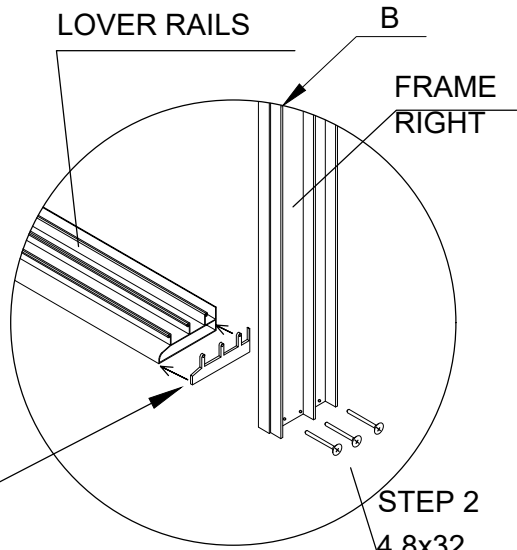
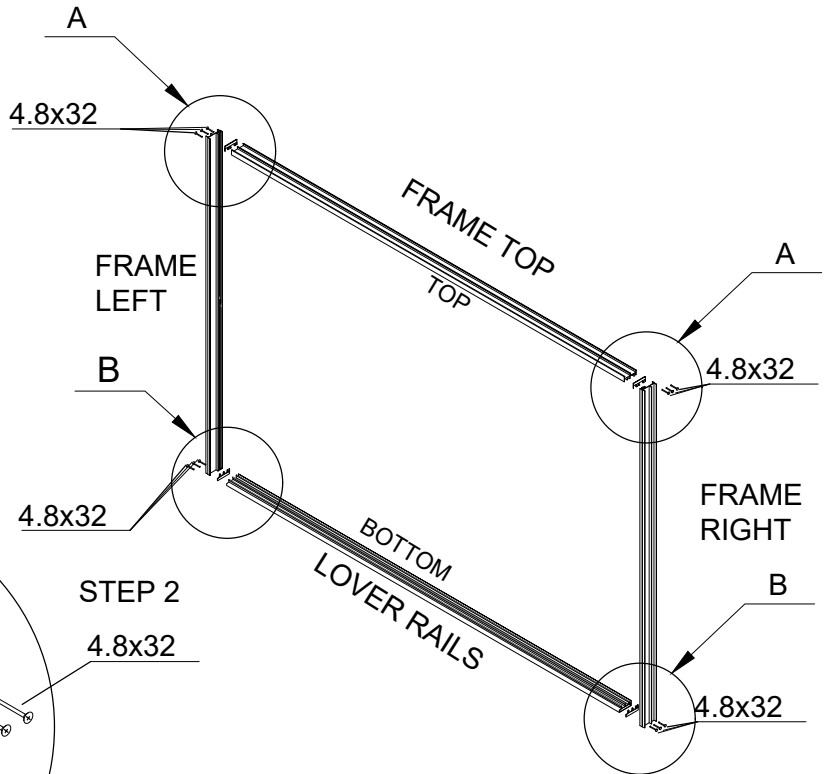
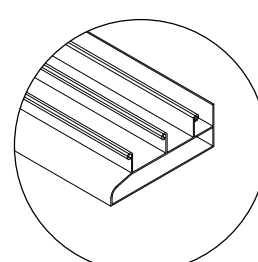
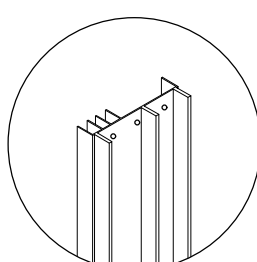
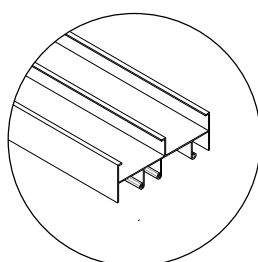
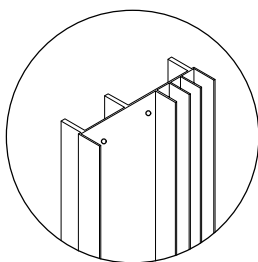
STEP 2

LEFT

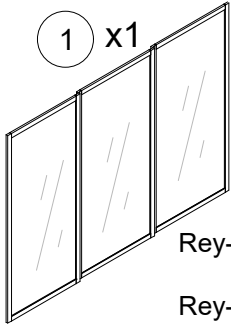
TOP

RIGHT

BOTTOM



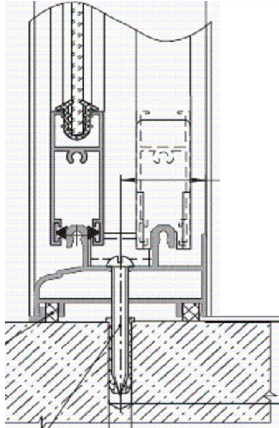
9.2 Cube 3x2/3x3/3x4 SLIDING SYSTEM ASSEMBLY 3m



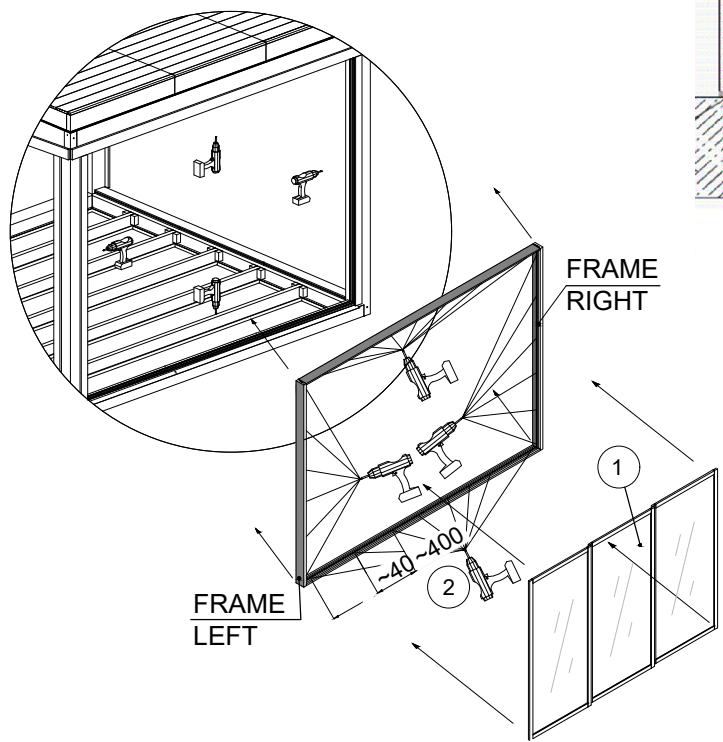
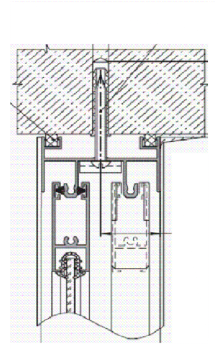
Rey-2200x3000x95
or
Rey-2200x3000x60
or
AL-2200x3000x90



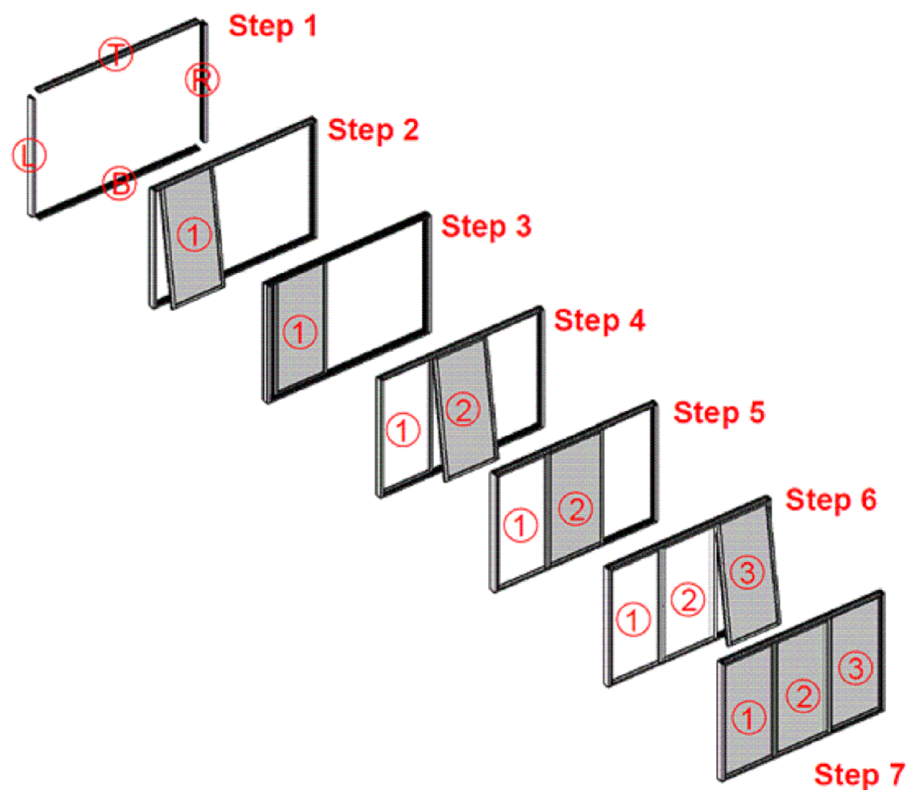
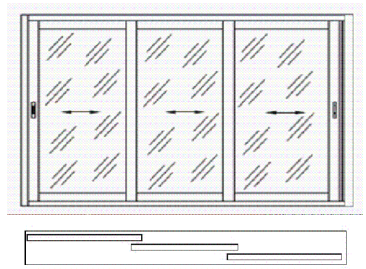
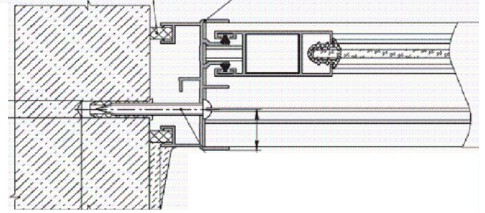
Fixing the lower rail



Fixing the top rail

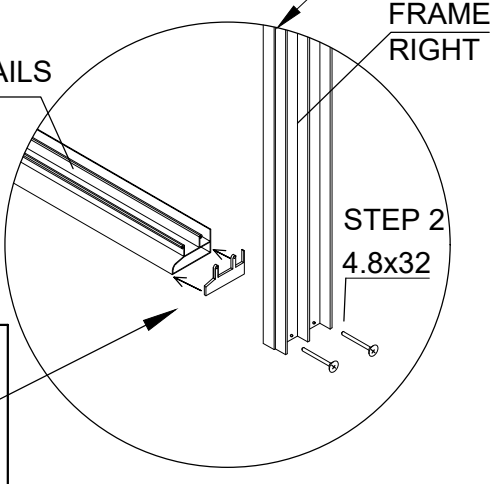
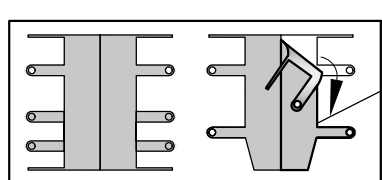
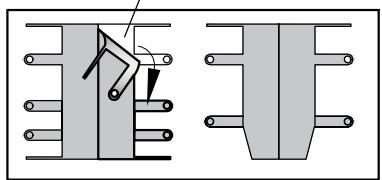
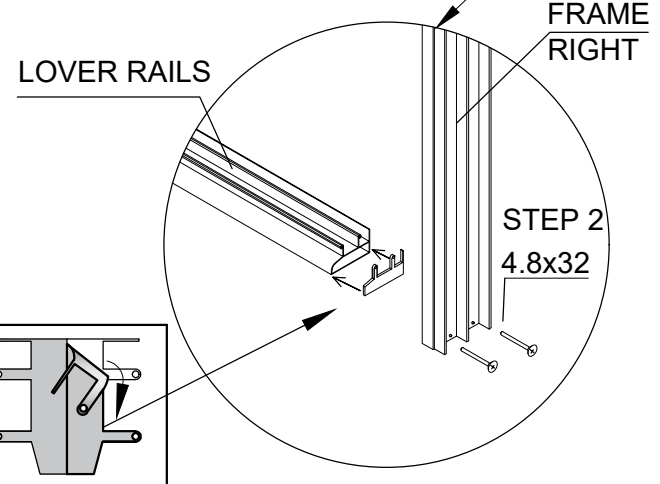
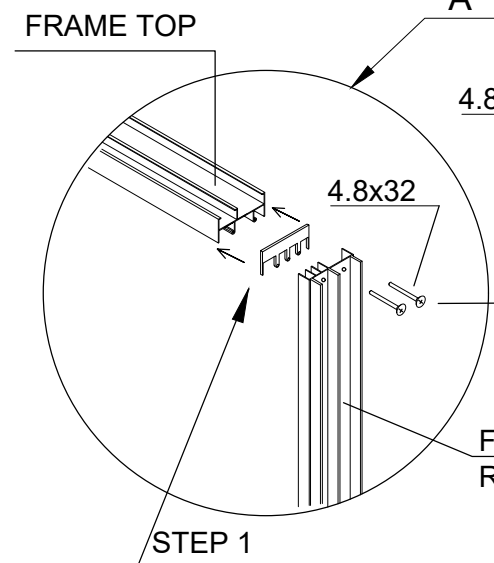
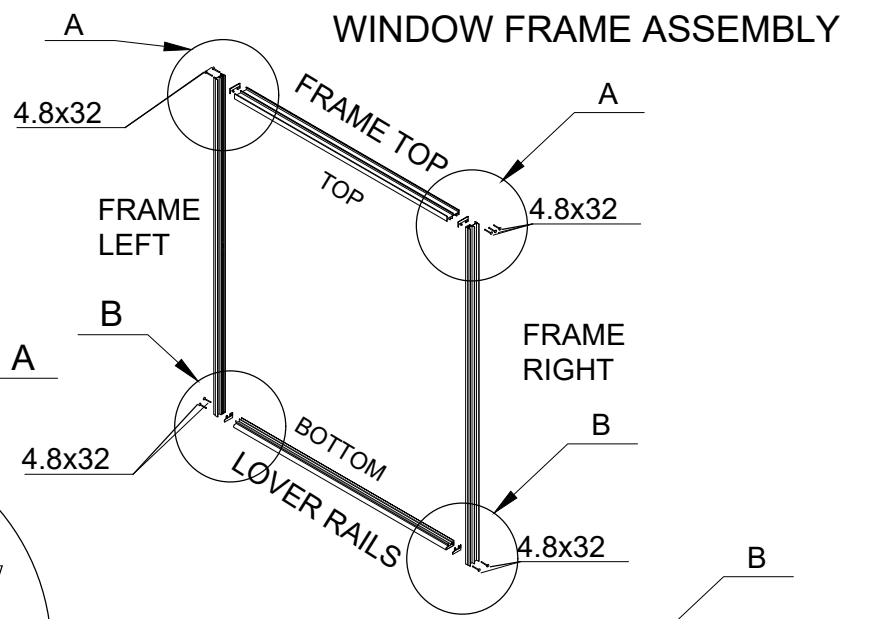


Fixing the side frame



9.3 Cube 3x2/3x3/3x4 SLIDING SYSTEM ASSEMBLY 2m WINDOW FRAME ASSEMBLY

- 1 x1
- 2 x1
- 3 x20
- AI-2200x2000x60
or
Rey-2200x2000x60
- T-BC-4x50

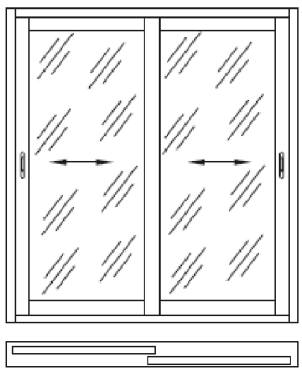
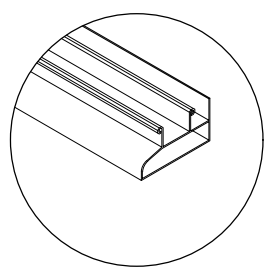
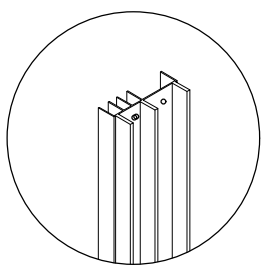
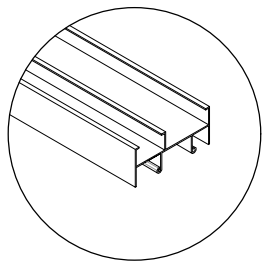
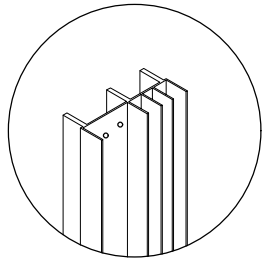


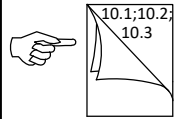
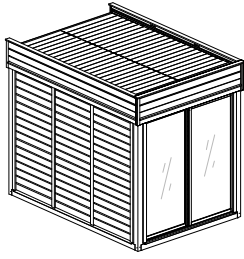
LEFT

TOP

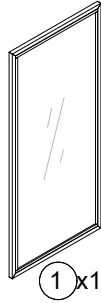
RIGHT

BOTTOM



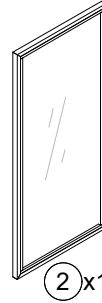


10. Cube-Garden Cube WINDOWS CONNECTIONS

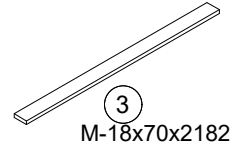


① x1
AL-2200x1000x40

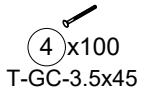
OR



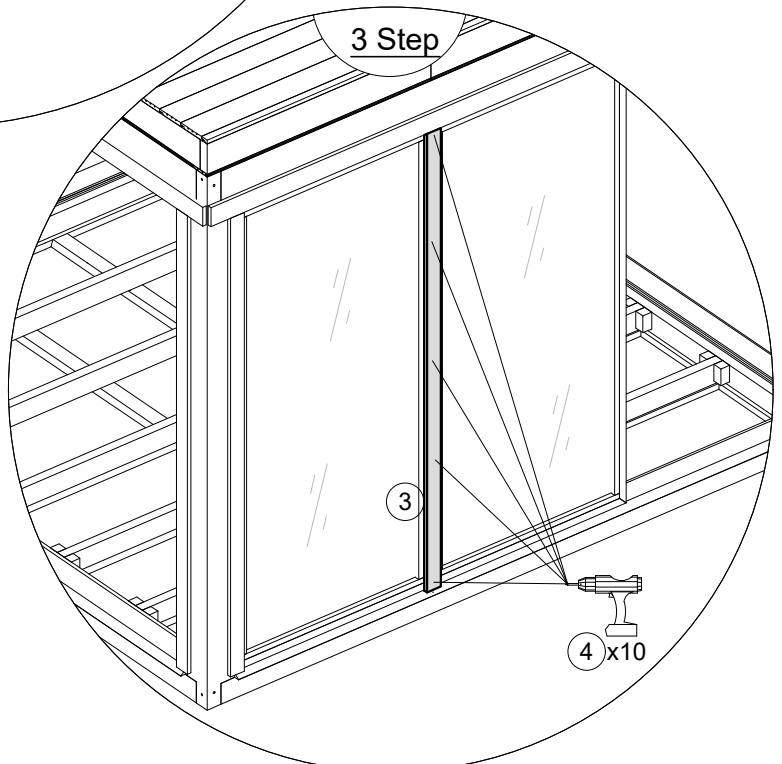
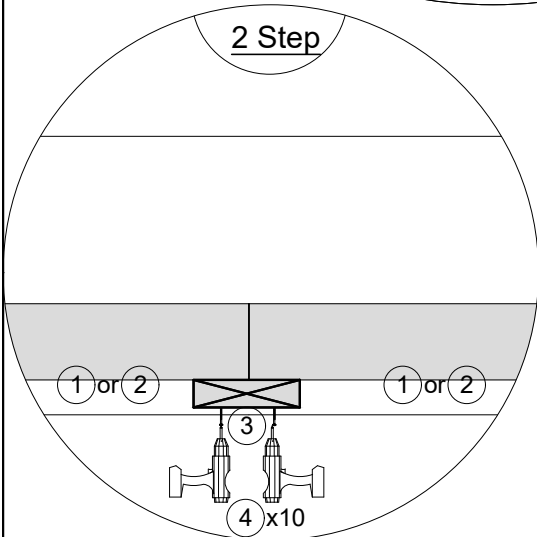
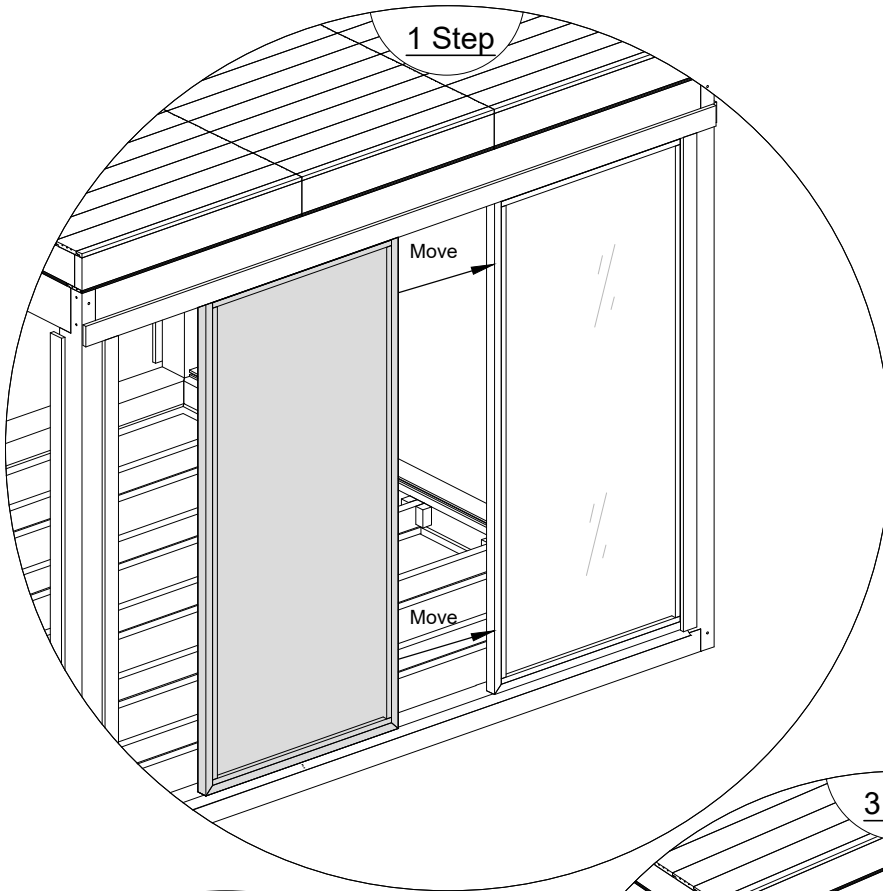
② x1
Rey-2200x1000x50



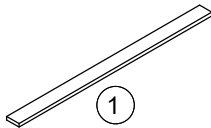
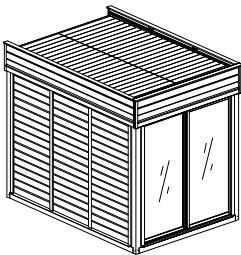
③
M-18x70x2182



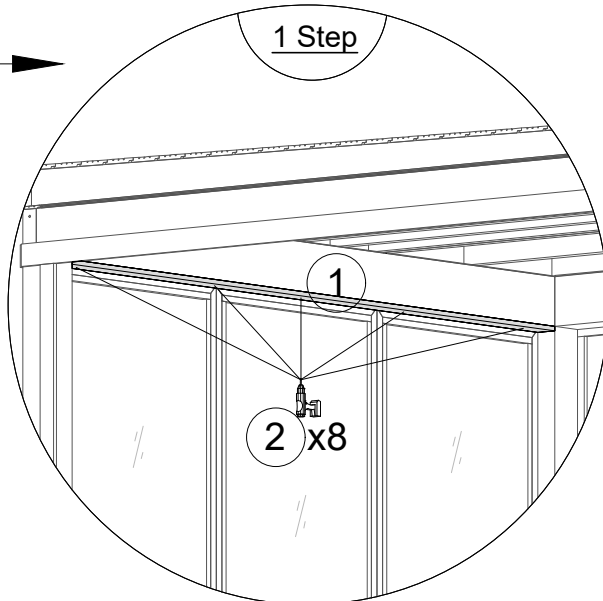
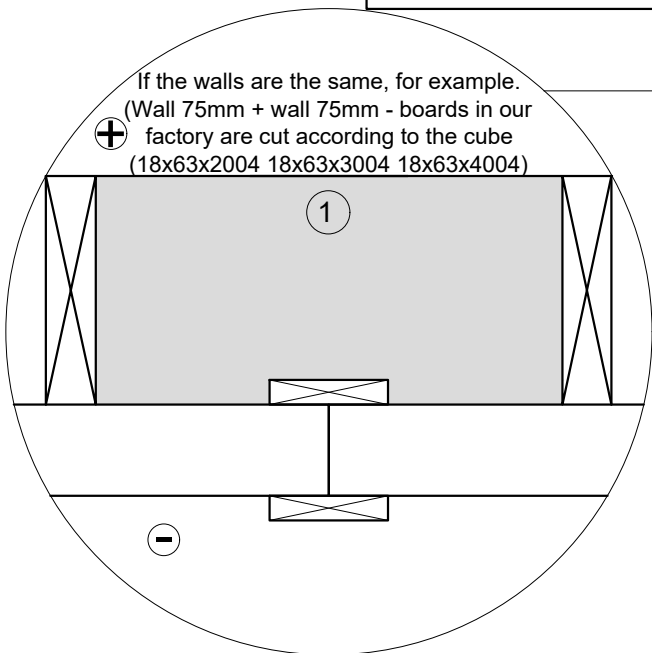
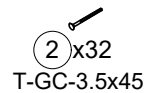
④ x10
T-GC-3.5x45



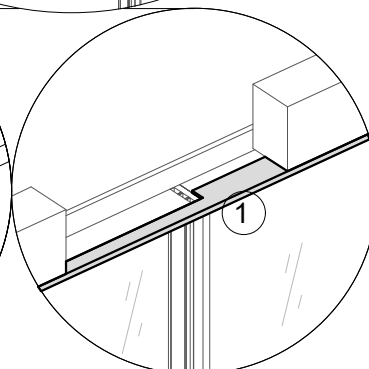
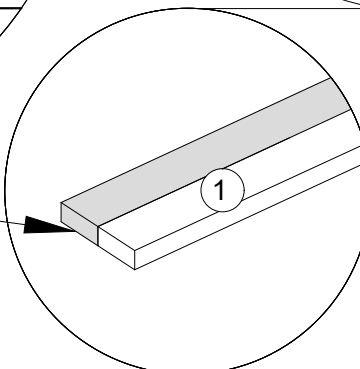
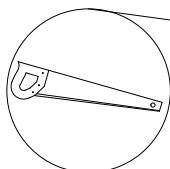
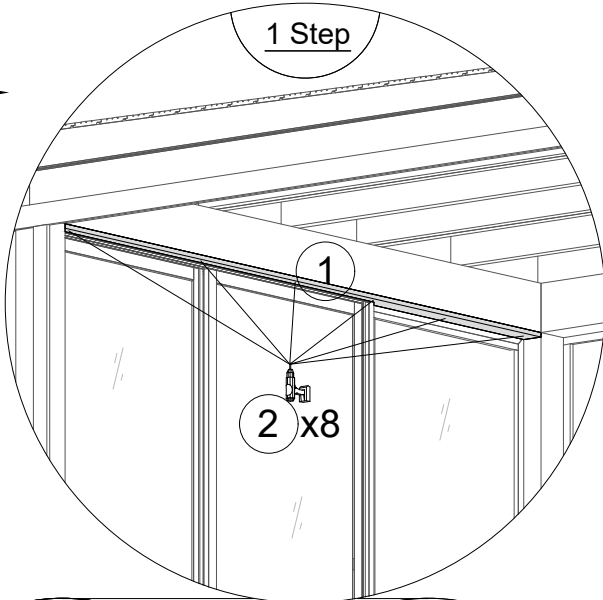
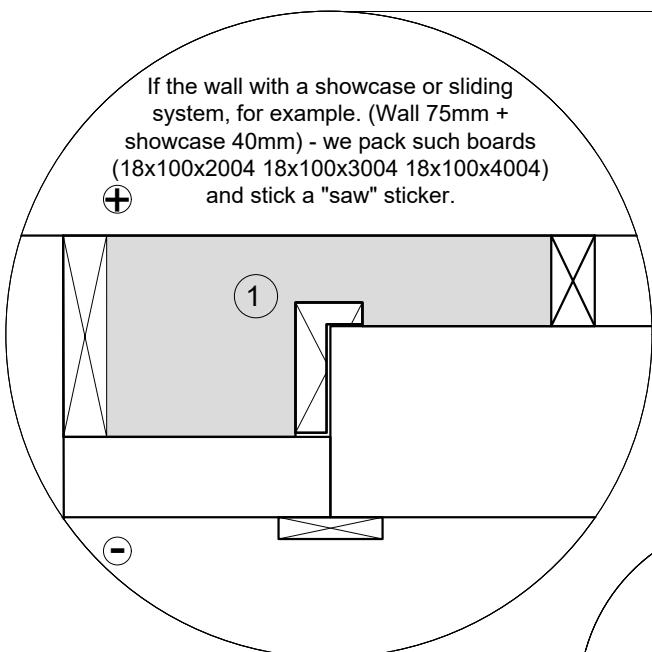
10.1 Cube-Garden Cube INSIDE WALLS AND WINDOWS SUPPORTS



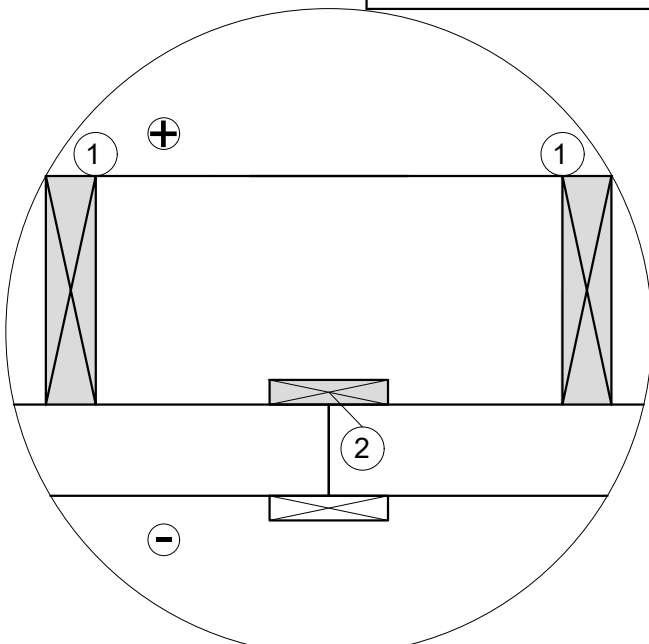
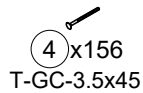
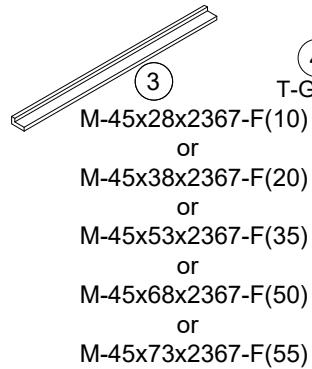
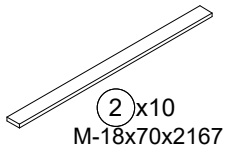
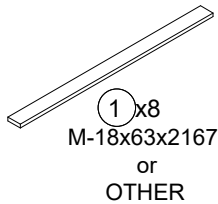
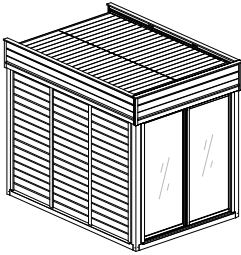
M-18x63x2004(3x2-2Pcs.)
M-18x63x3004(3x2-2Pcs.)
or
M-18x63x3004(3x3-4Pcs.)
or
M-18x63x4004(3x4-2Pcs.)
M-18x63x3004(3x4-2Pcs.)
or
OTHER



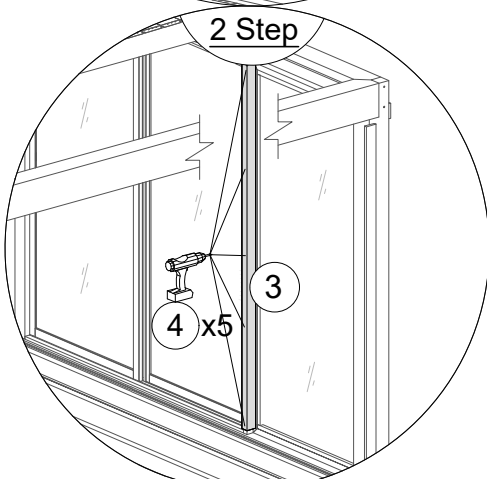
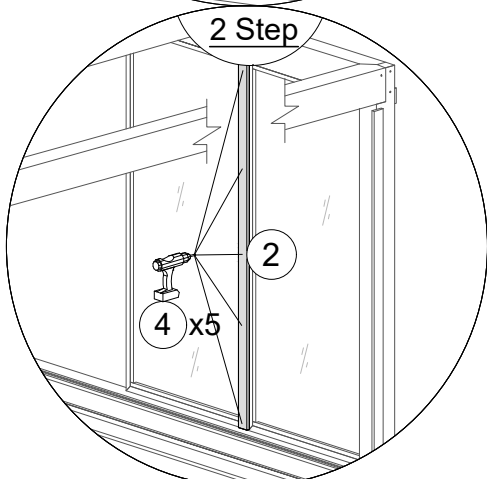
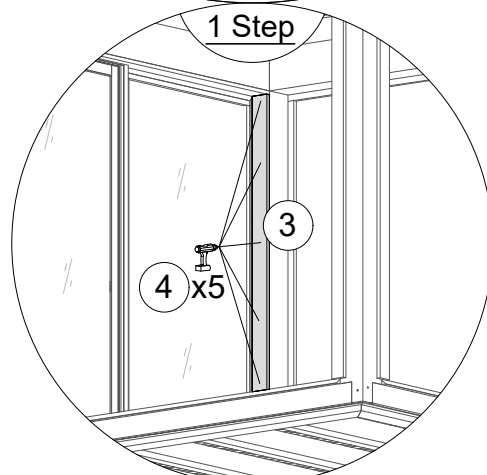
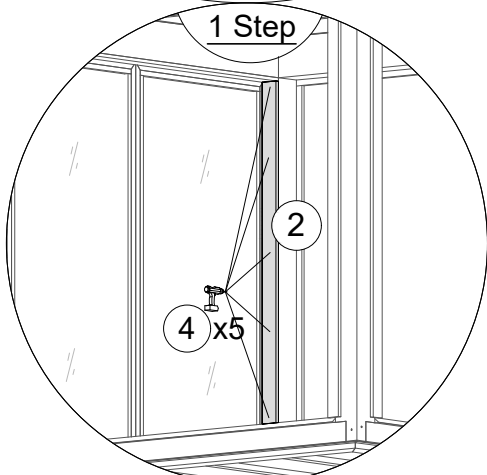
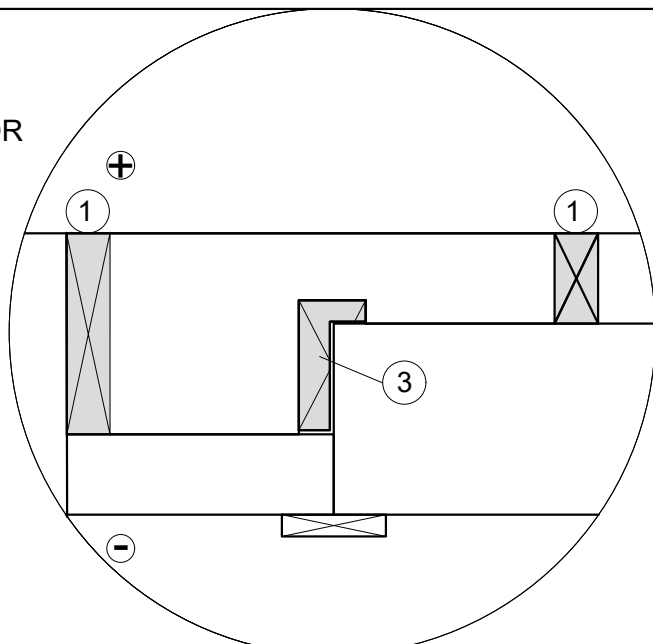
OR



10.2 Cube-Garden Cube INSIDE WALLS AND WINDOWS SUPPORTS



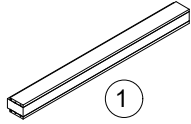
OR



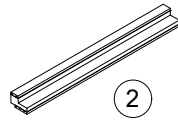
10.3 Cube-Garden Cube INSIDE WALLS AND WINDOWS SUPPORTS



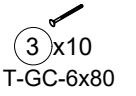
Rey-2200x1000x50



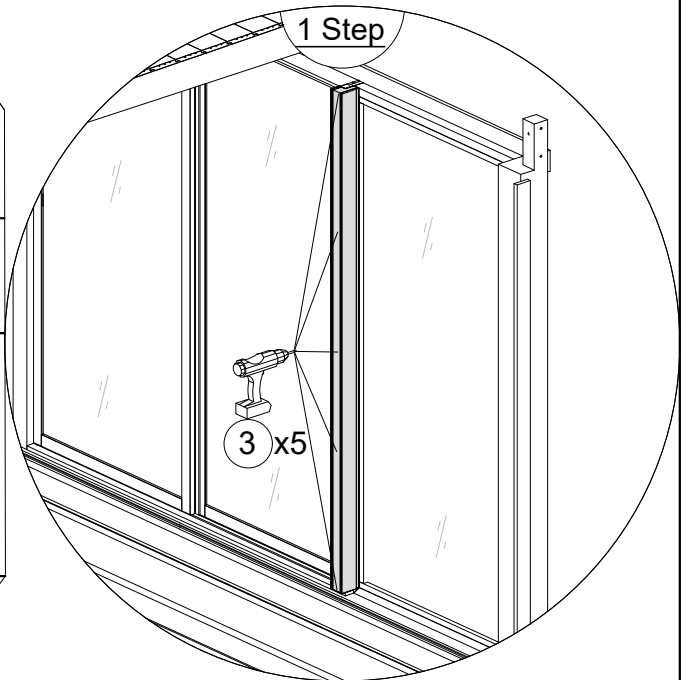
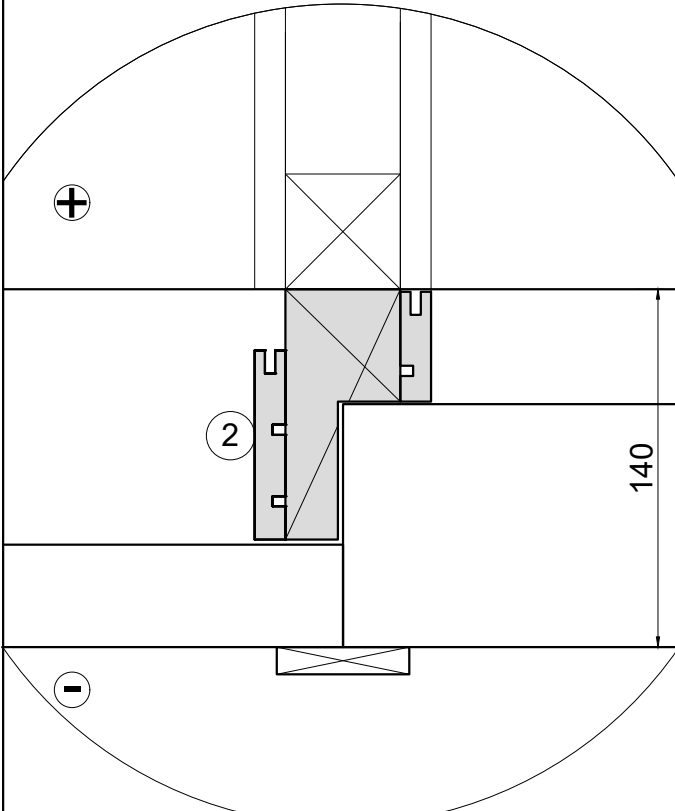
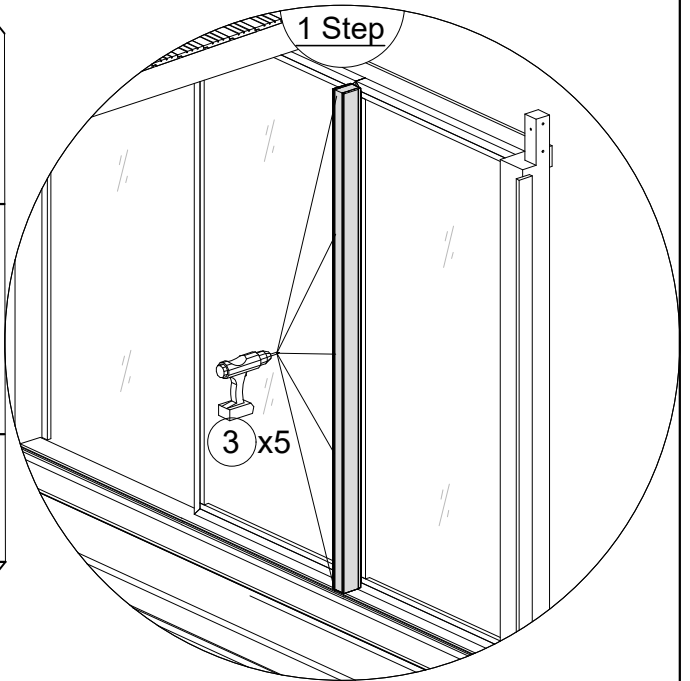
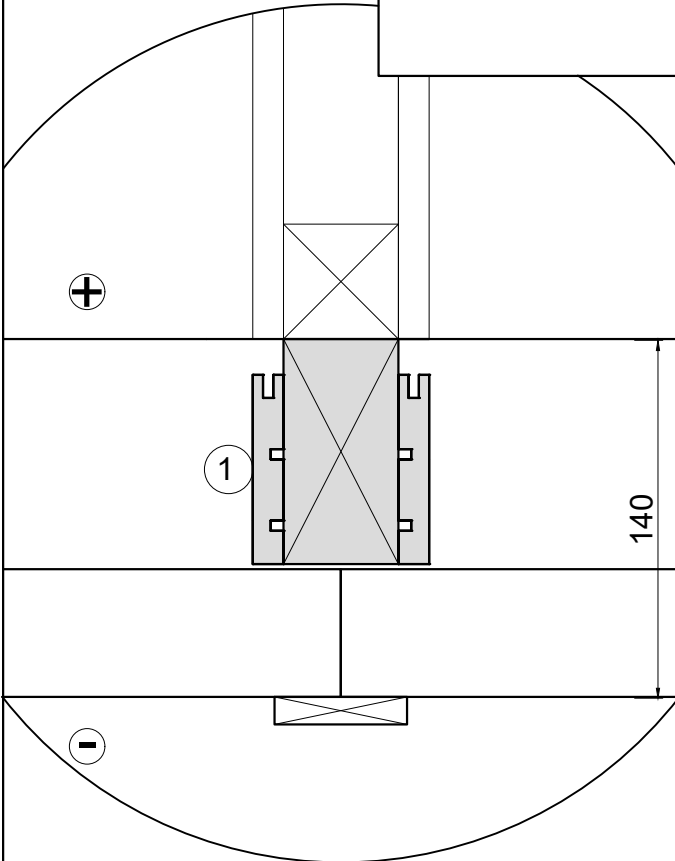
①
M-69x88x2367-F(0)
or
OTHER



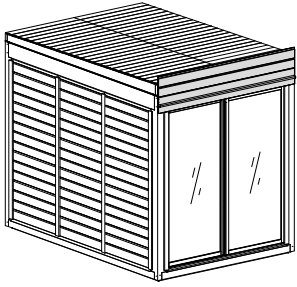
②
M-69x88x2367-F(10)
or
OTHER



③ x10
T-GC-6x80



11. Cube-Garden Cube 3x2/3x3/3x4 ROOF FRONT OUTSIDE DECORATION

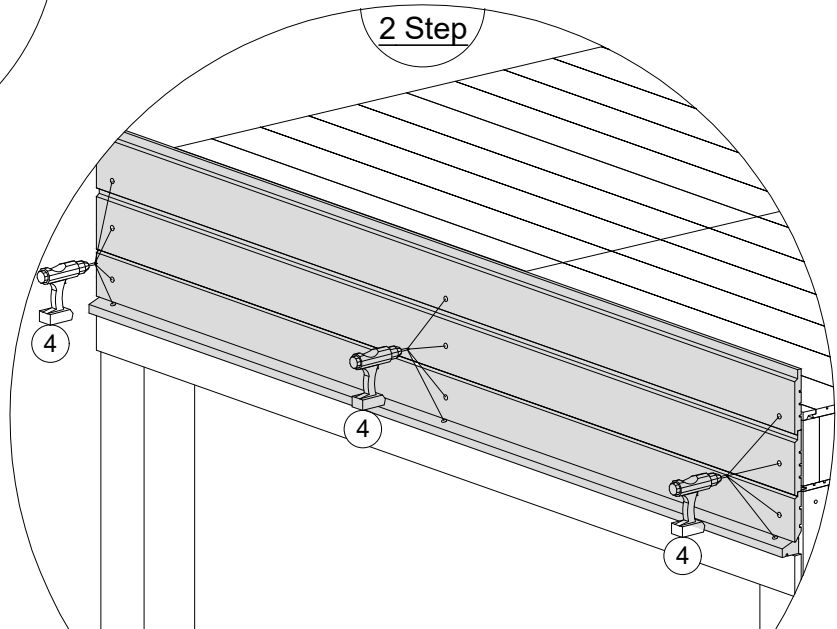
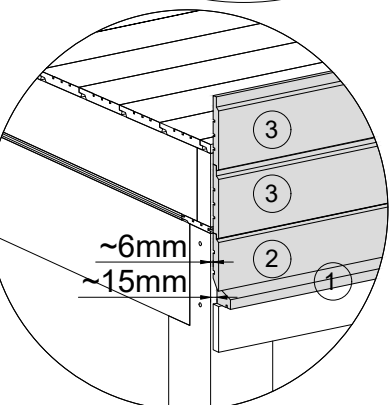
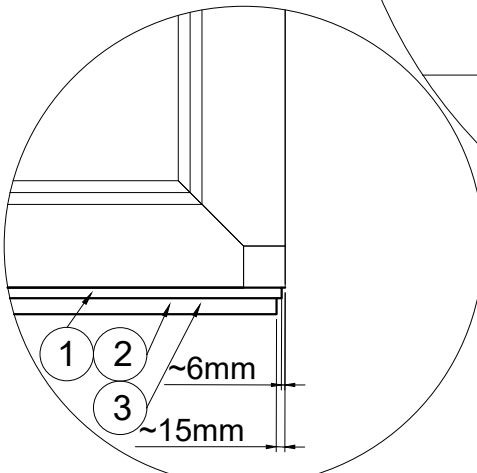
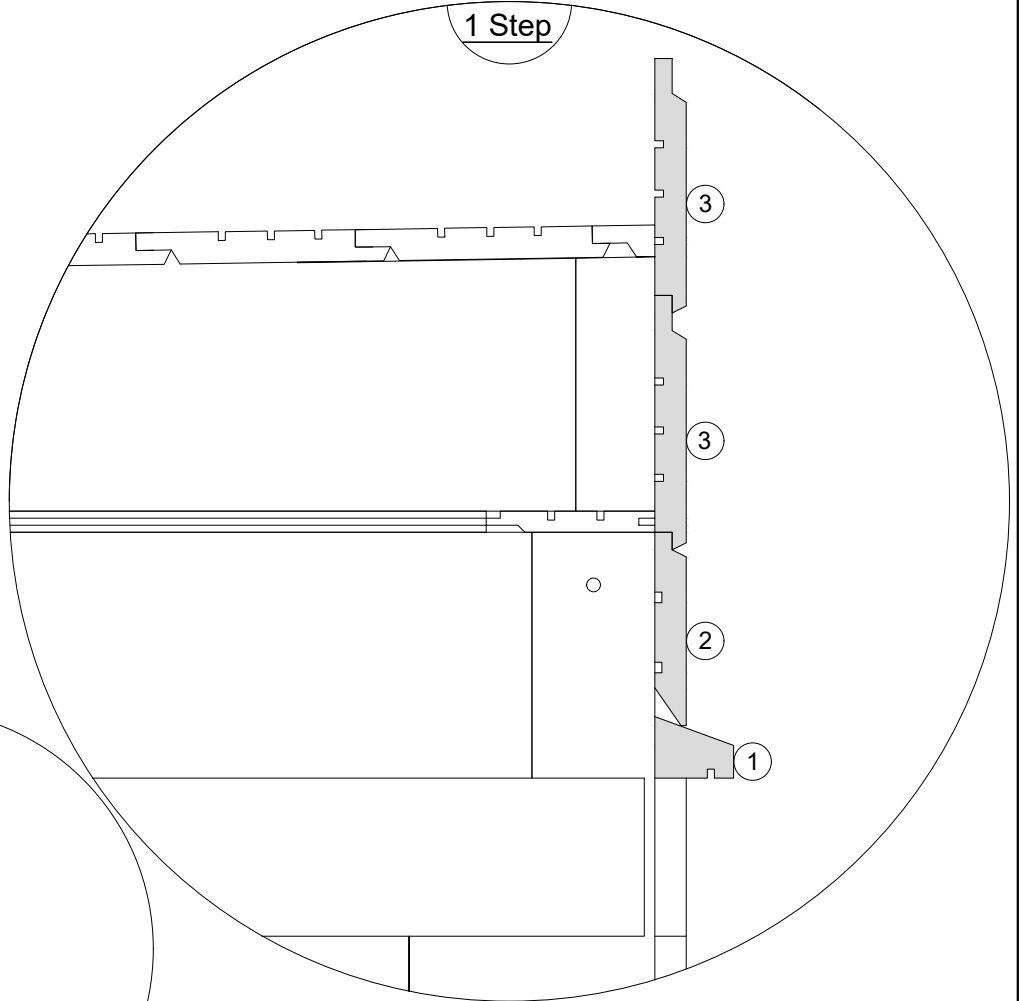


① x1
M-35x45x2258-F
or
M-35x45x3258-F
or
M-35x45x4258-F

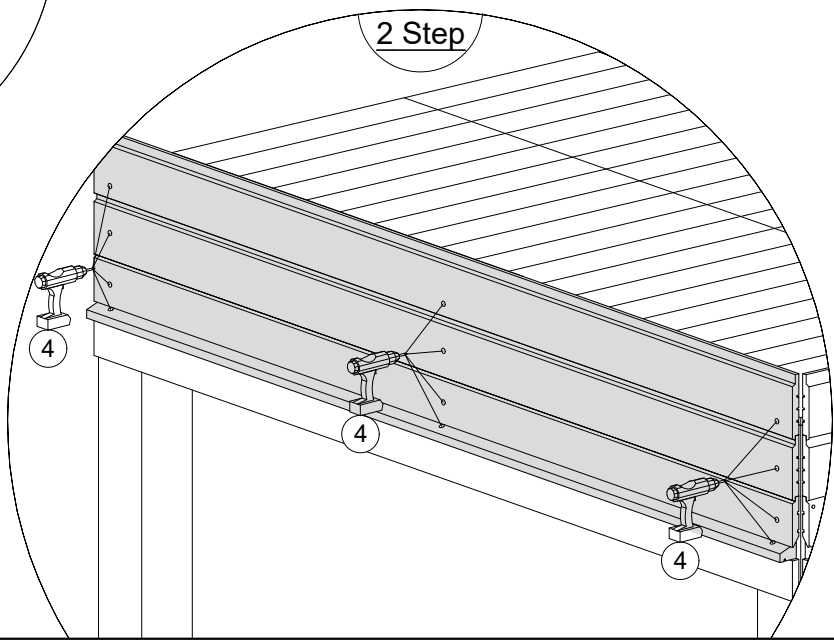
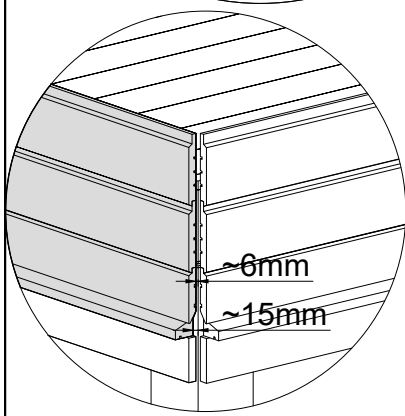
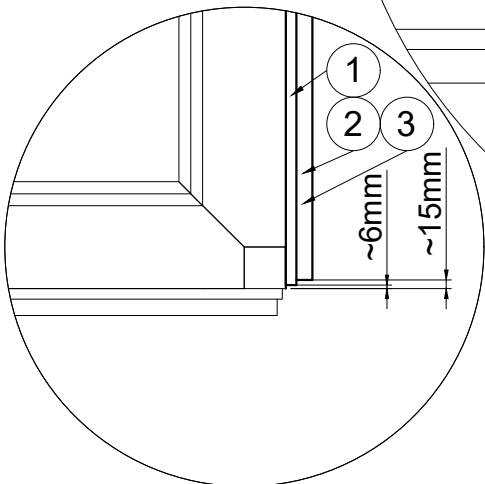
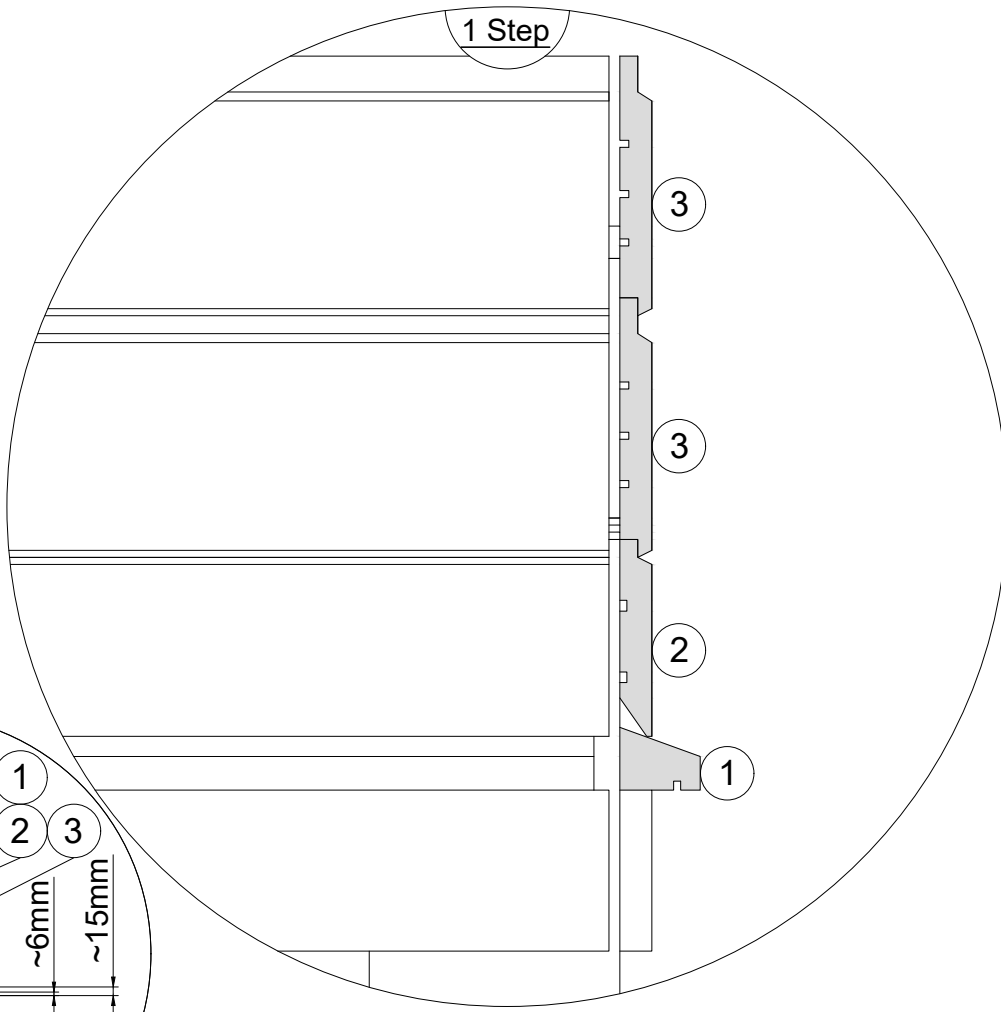
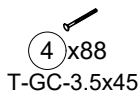
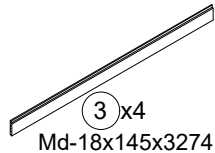
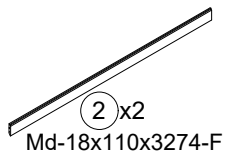
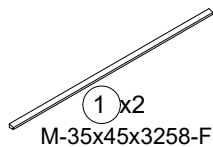
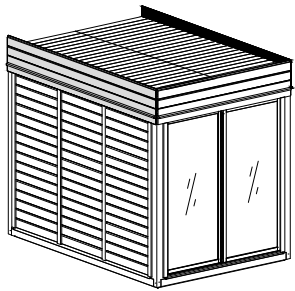
② x1
Md-18x110x2274-F
or
Md-18x110x3274-F
or
Md-18x110x4274-F

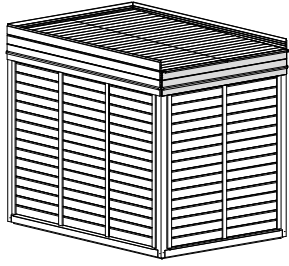
③ x2
Md-18x145x2274
or
Md-18x145x3274
or
Md-18x145x4274

④ x44
T-GC-3.5x45



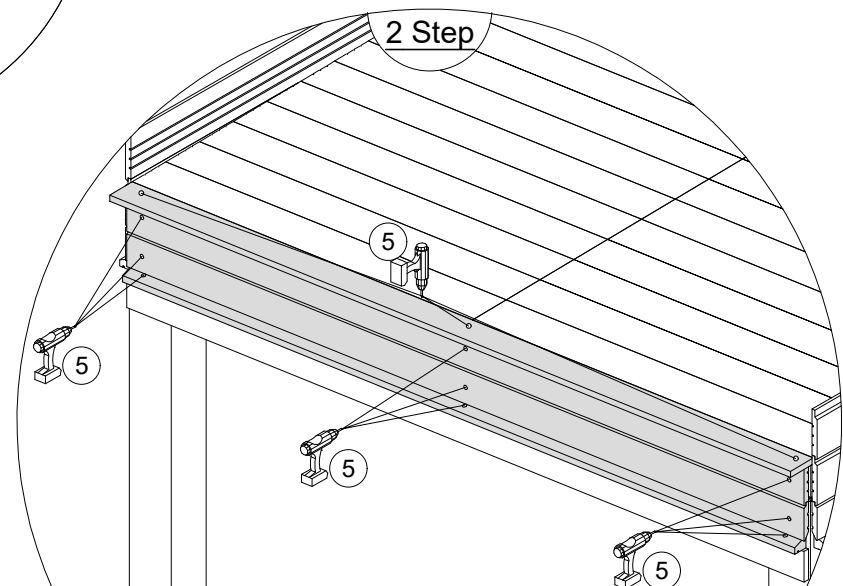
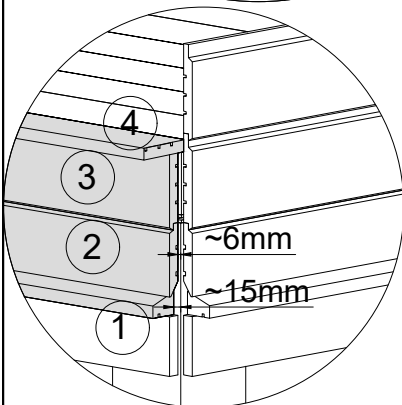
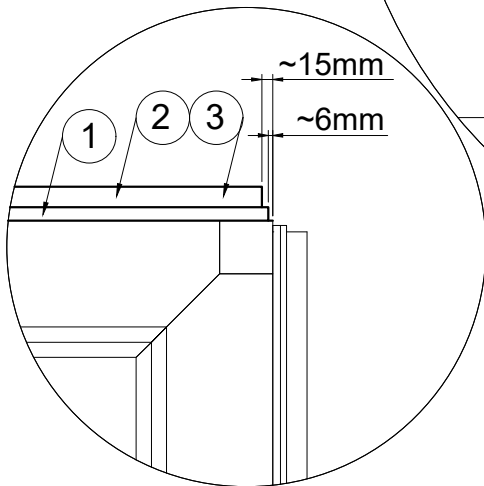
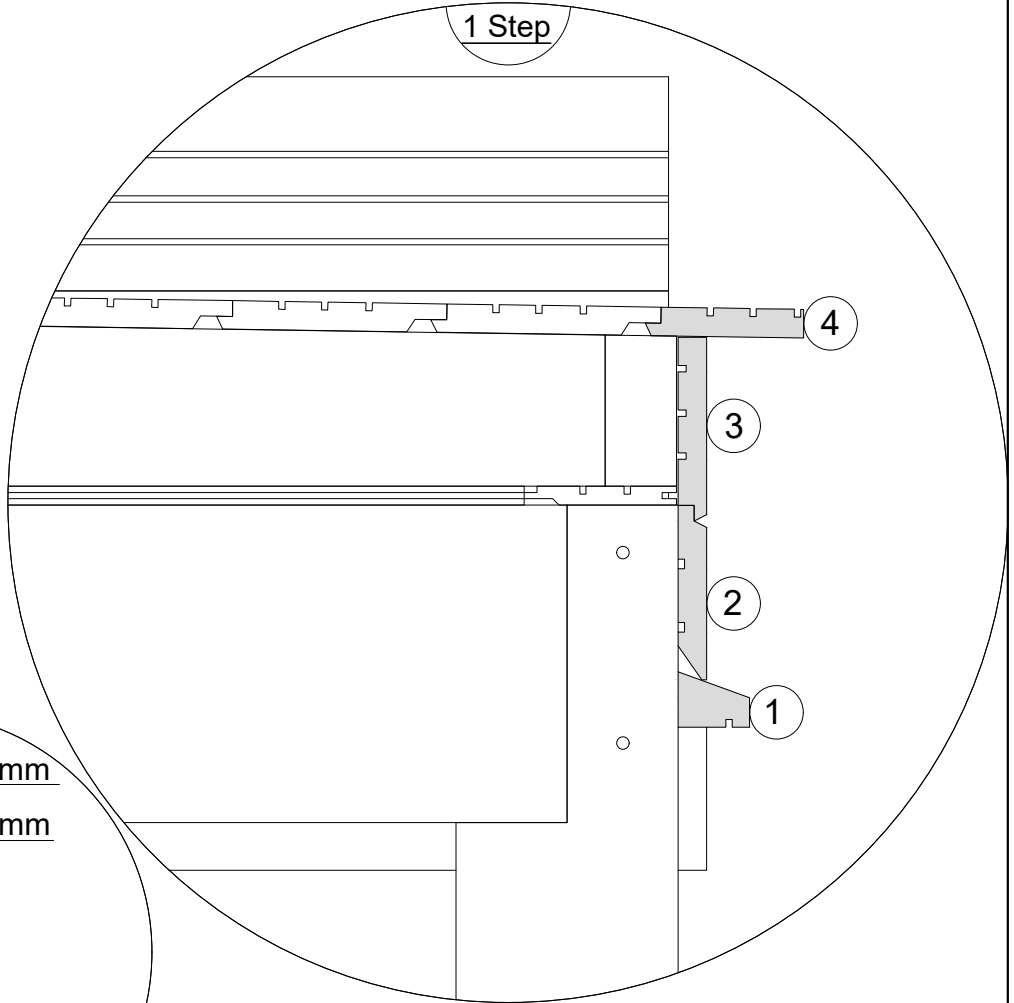
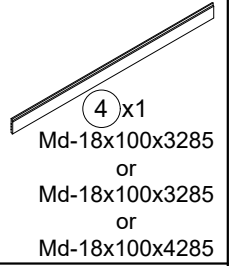
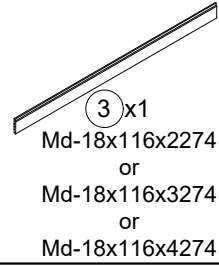
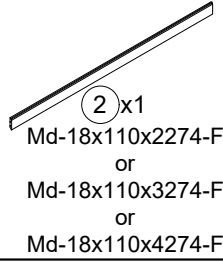
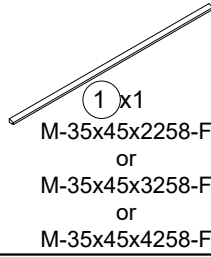
11.1 Cube-Garden Cube 3x2/3x3/3x4 ROOF SIDES OUTSIDE DECORATION



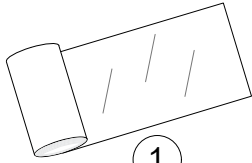


11.2 Cube-Garden Cube 3x2/3x3/3x4 ROOF BACK OUTSIDE DECORATION

⑤ x48
T-GC-3.5x45



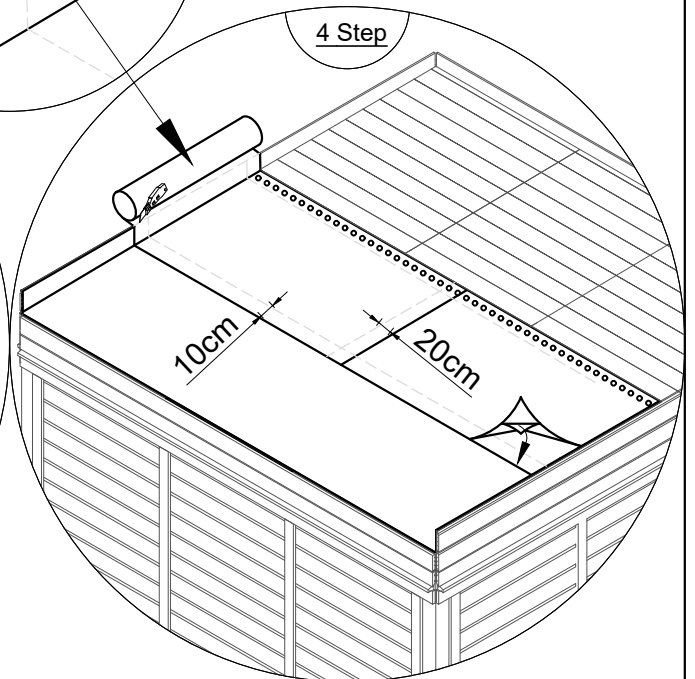
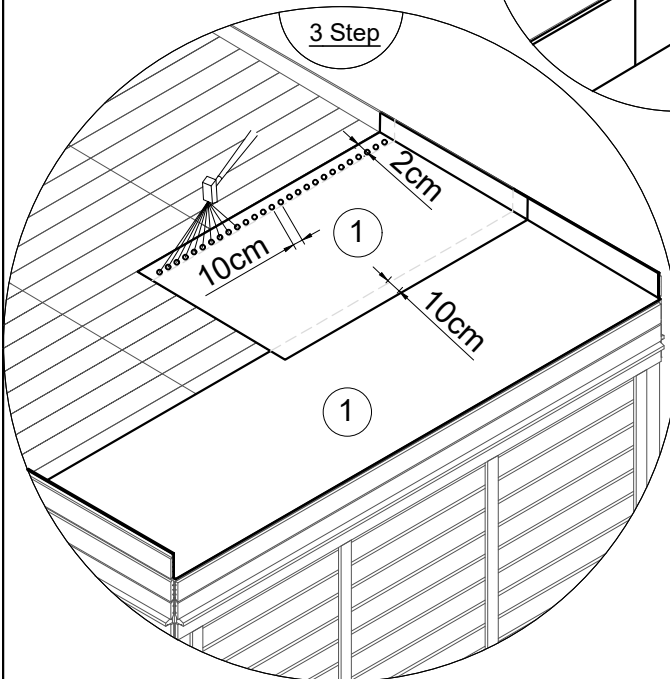
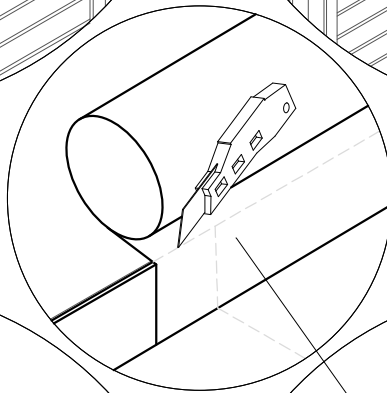
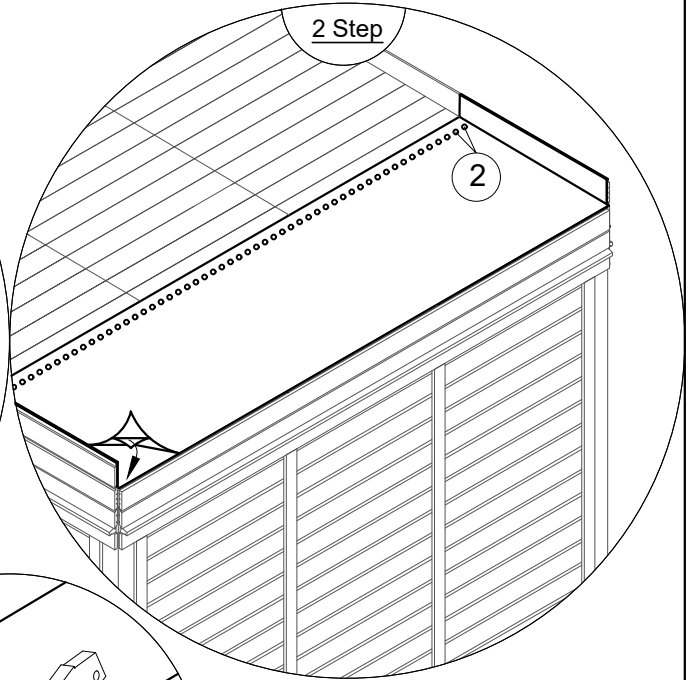
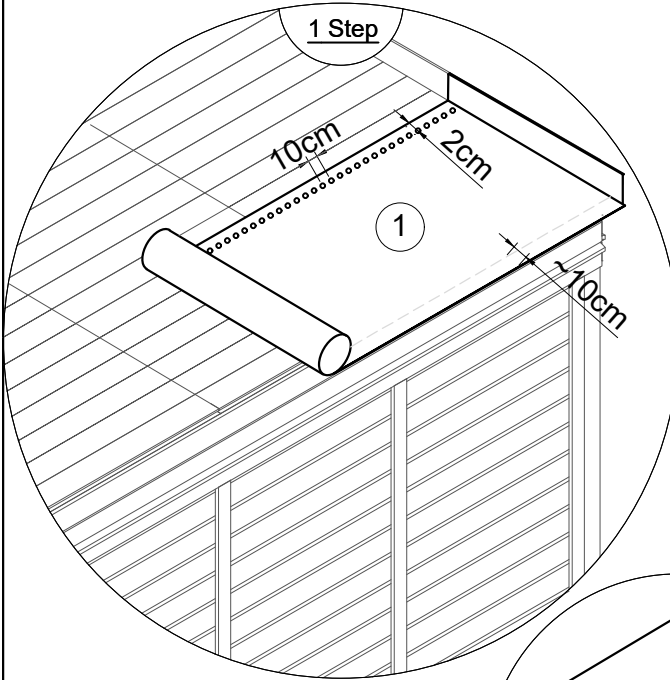
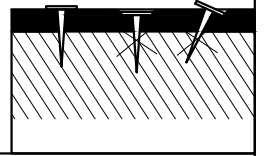
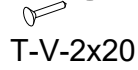
11.3 Cube-Garden Cube 3x2/3x3/3x4 BITUMEN ROLL ROOF COVER INSTALATION

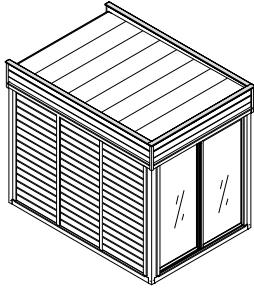


1

Mid-limp3x500x5000-(3x2-4Pcs.)
or
Mid-limp3x500x5000-(3x3-6Pcs.)
or
Mid-limp3x500x5000-(3x4-8Pcs.)

2 x440





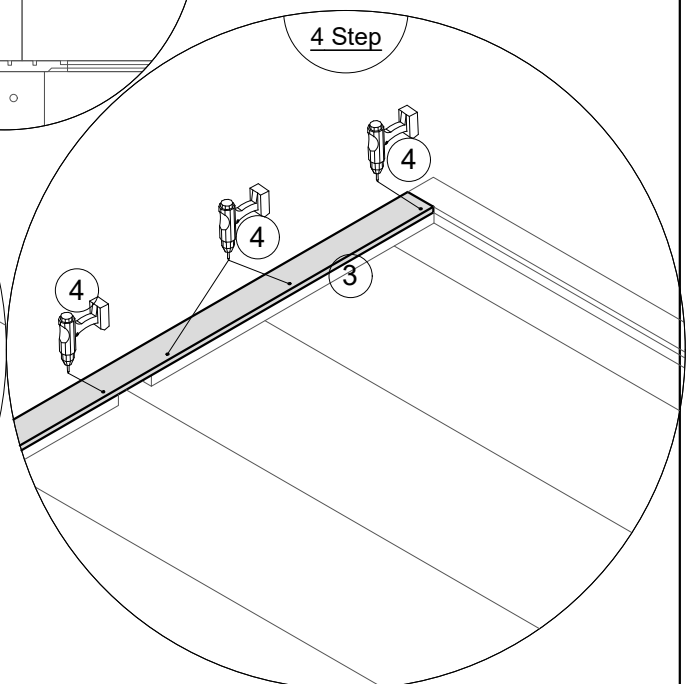
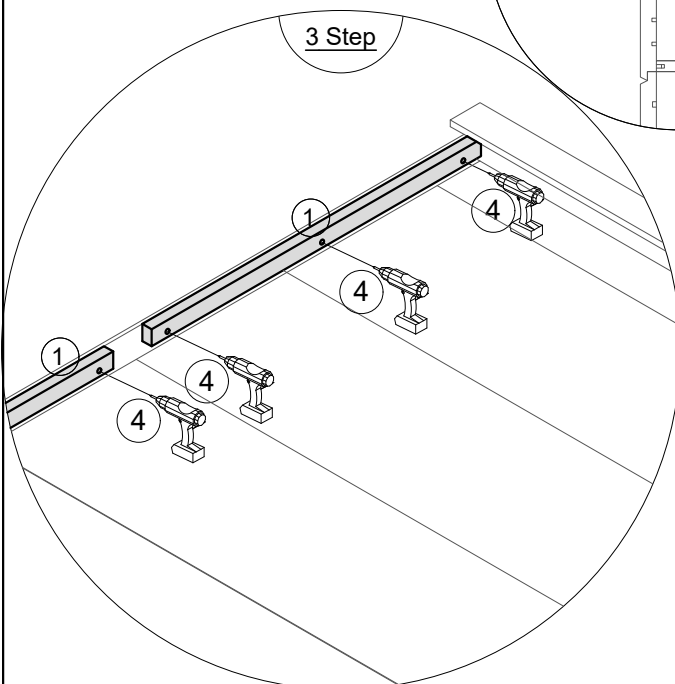
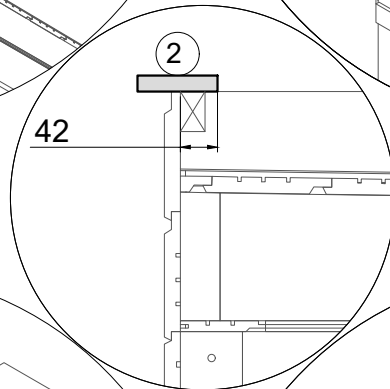
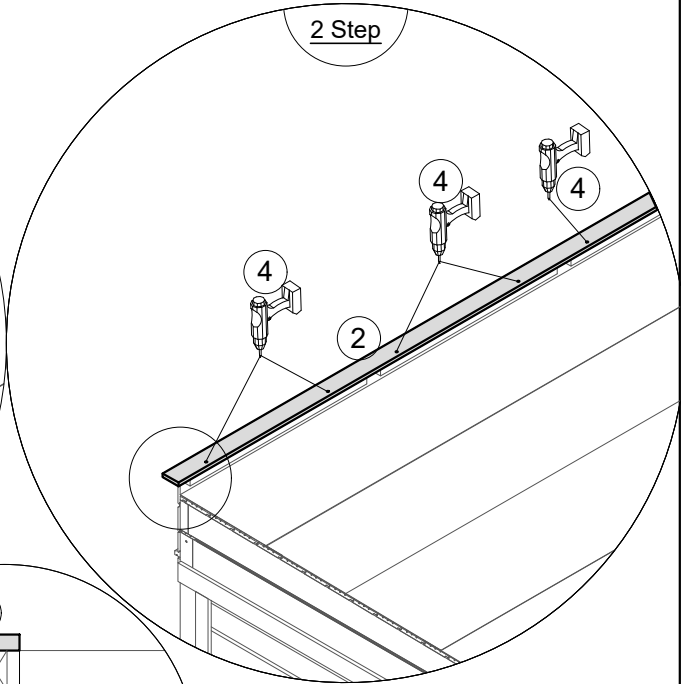
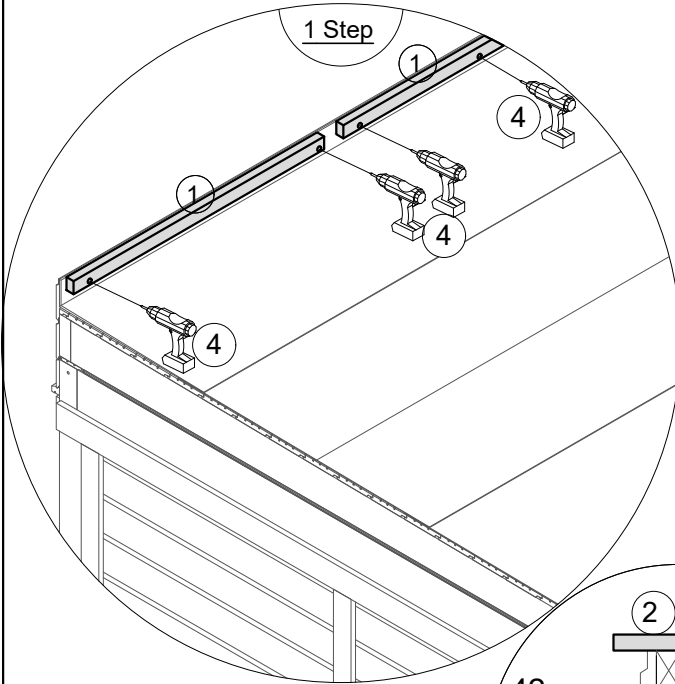
11.4 Cube-Garden Cube 3x2/3x3/3x4 END OF ROOF FINISH

④ x32
T-GC-3.5x45

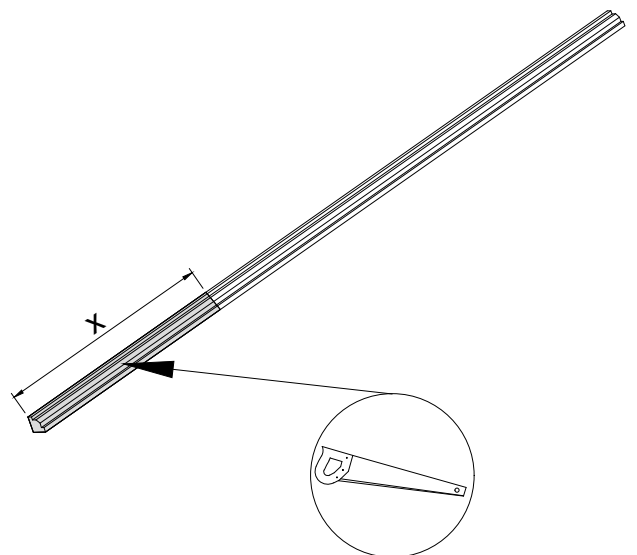
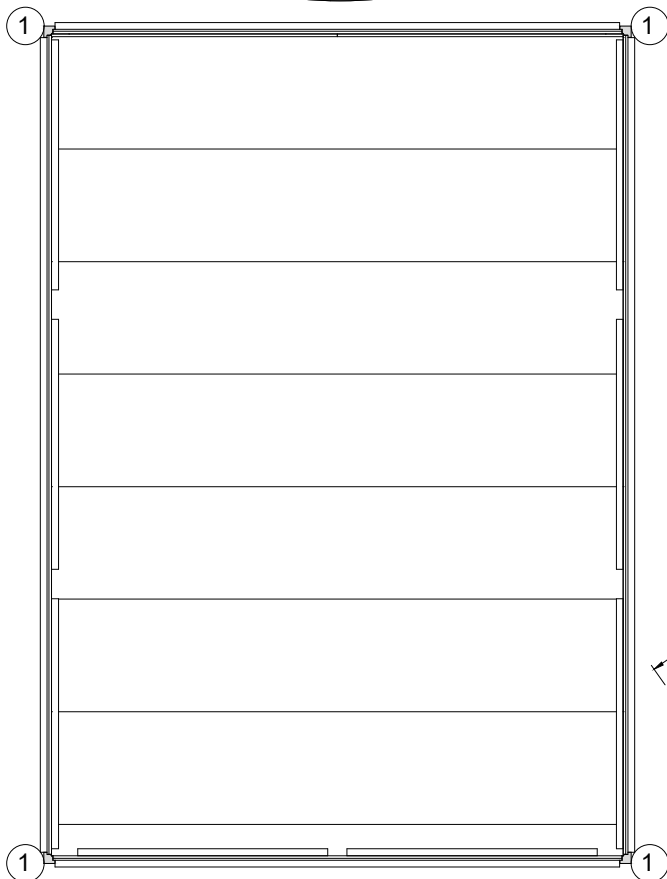
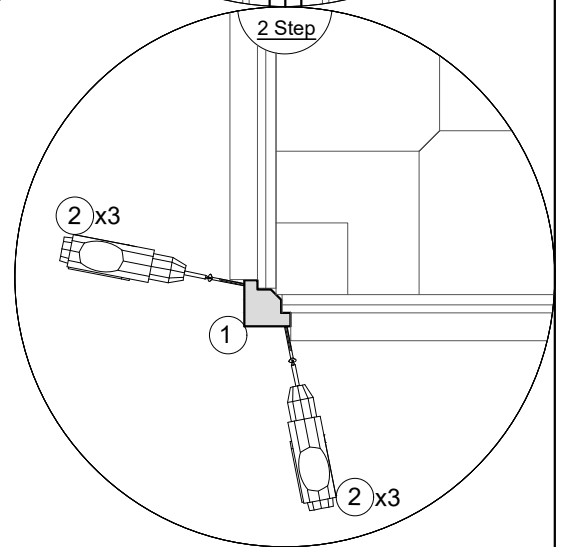
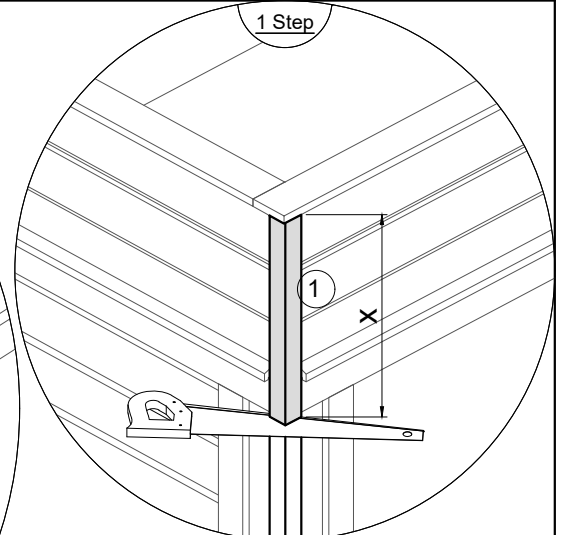
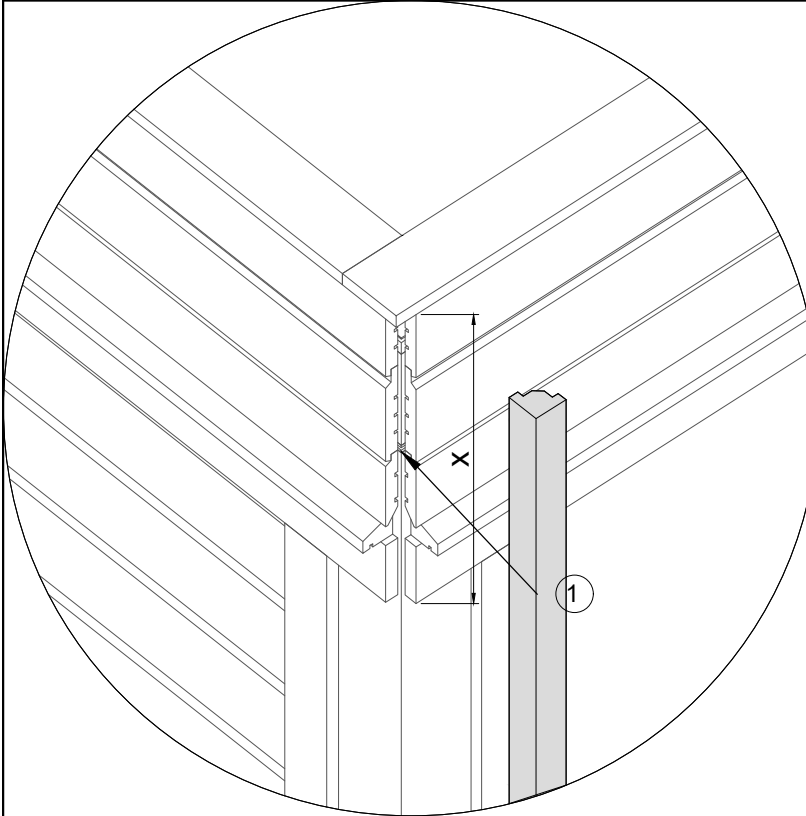
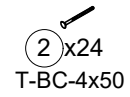
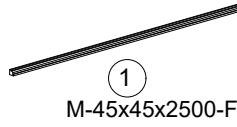
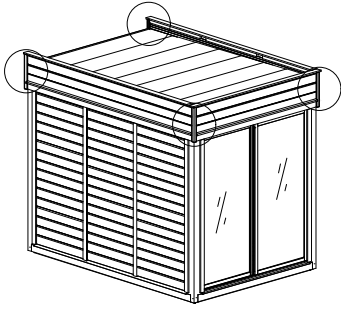
①
M-28x45x1000(3x2-8Pcs.)
or
M-28x45x1000(3x3-9Pcs.)
or
M-28x45x1000(3x4-10Pcs.)

②
M-18x95x2388-F(3x2-1Pcs.)
or
M-18x95x3388-F(3x3-1Pcs.)
or
M-18x95x4388-F(3x4-1Pcs.)

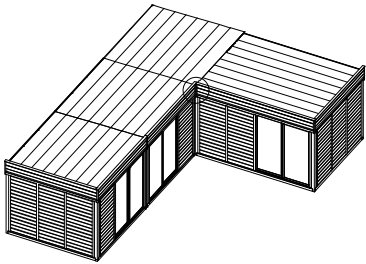
③
M-18x95x3274-F(3x2-2Pcs.)
or
M-18x95x3274-F(3x3-2Pcs.)
or
M-18x95x4274-F(3x4-2Pcs.)



11.5 Cube-Garden Cube 3x2/3x3/3x4 END OF ROOF FINISH

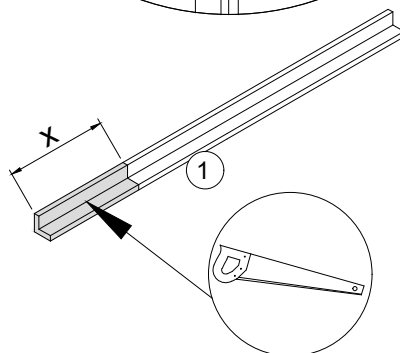
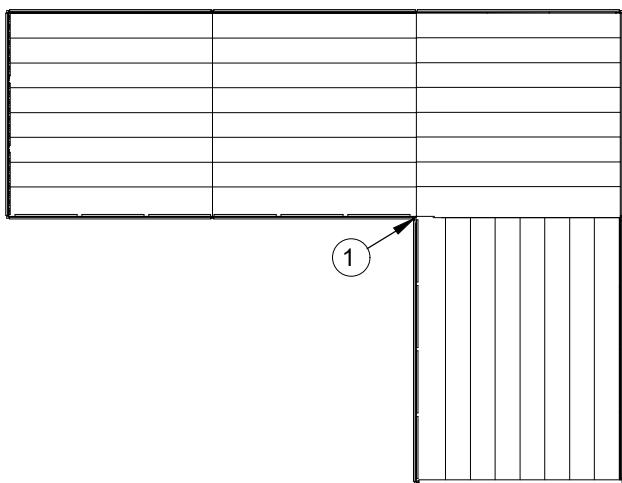
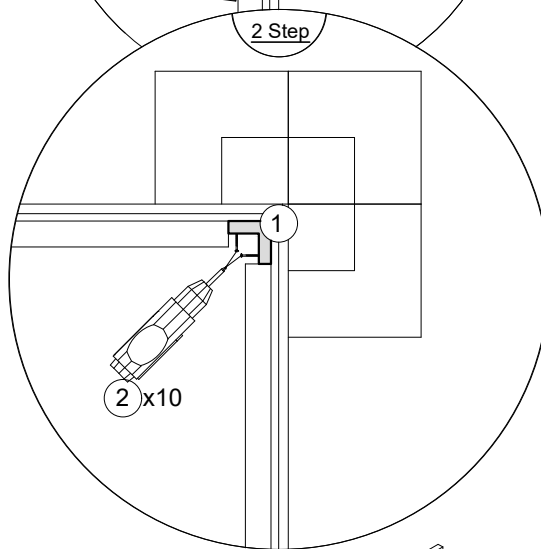
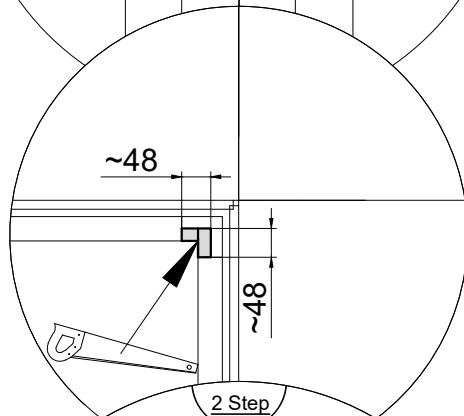
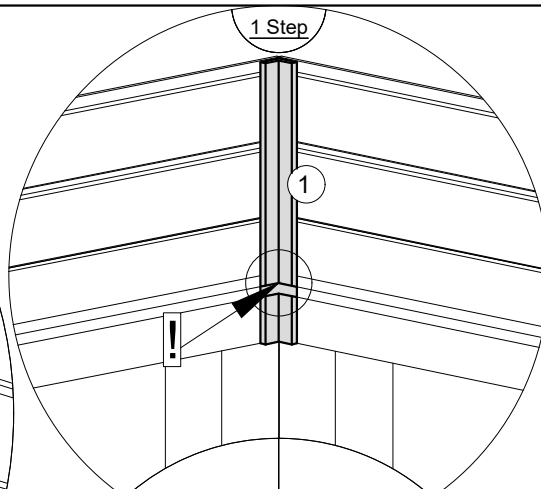
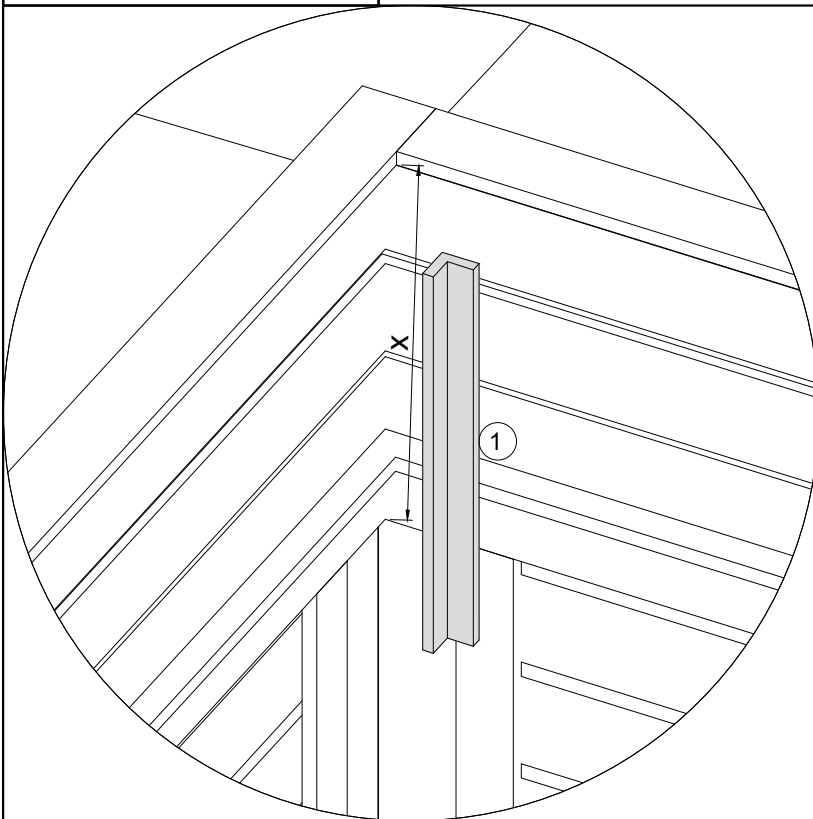


11.6 Cube-Garden Cube 3x2/3x3/3x4 CONNECTED CUBE DETAILS

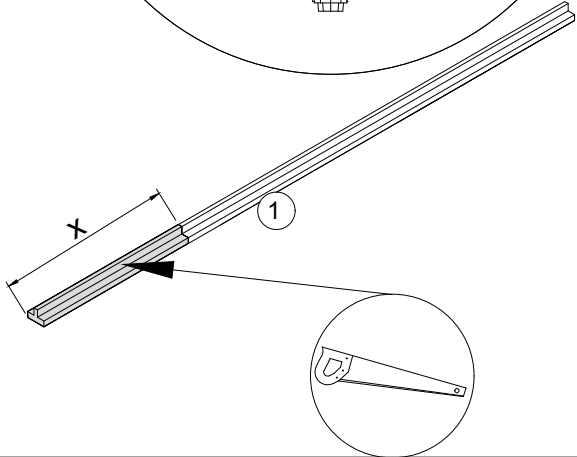
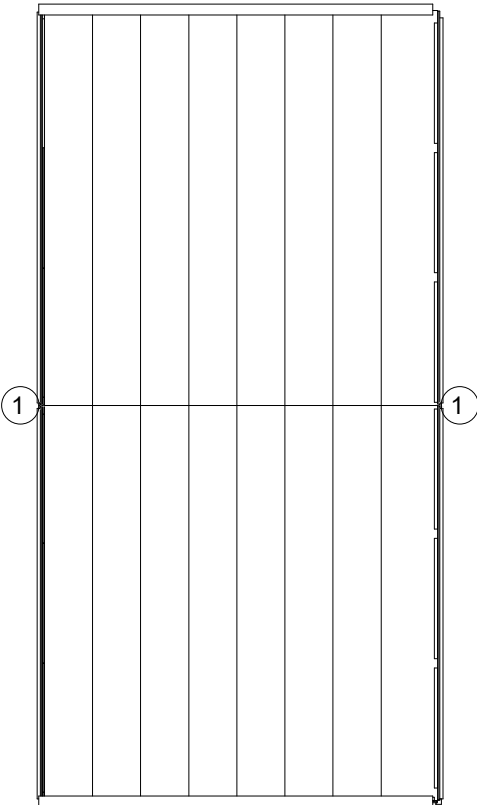
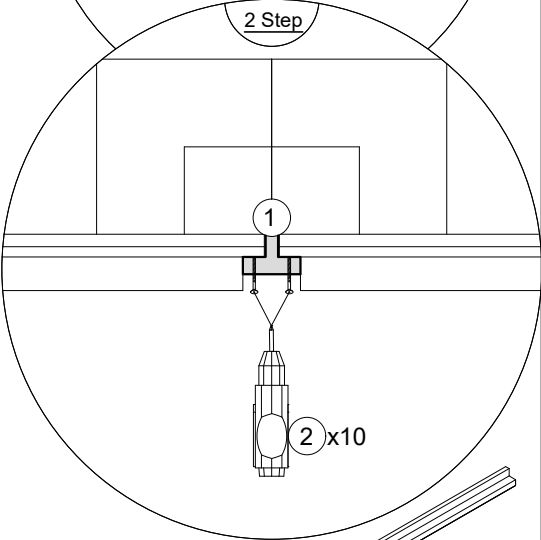
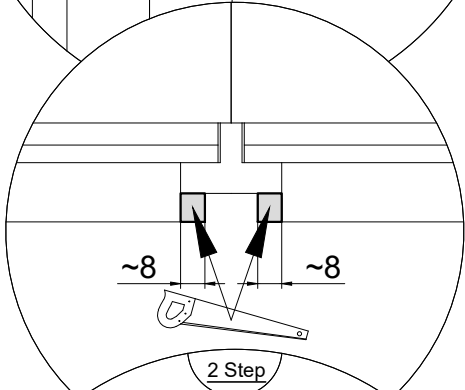
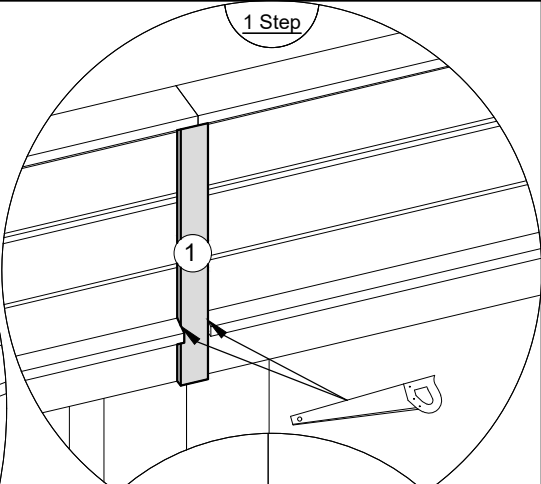
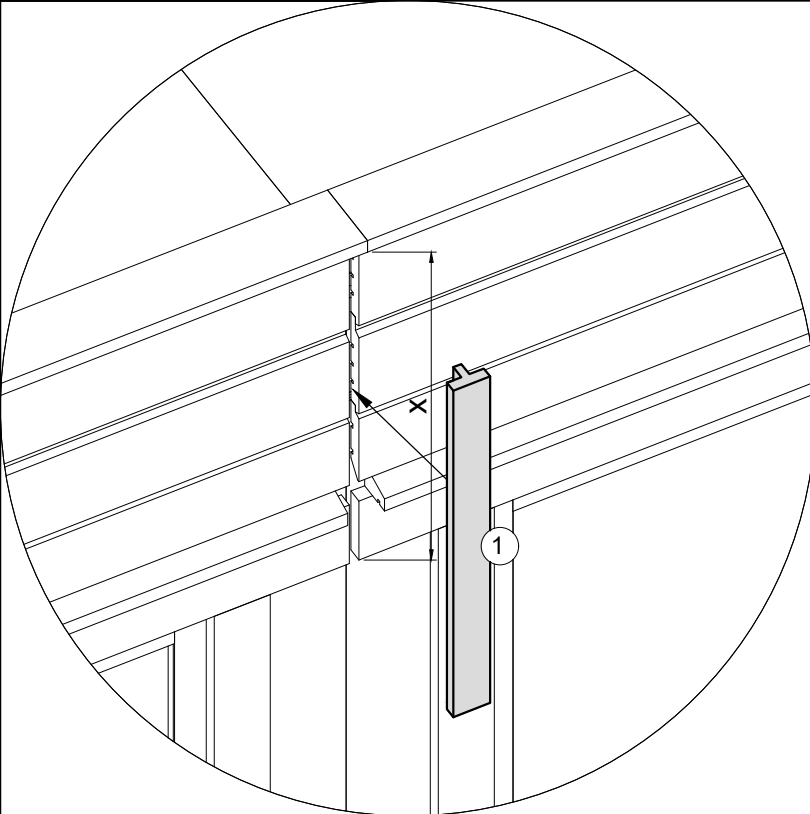
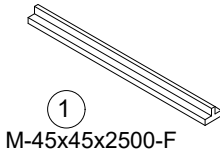
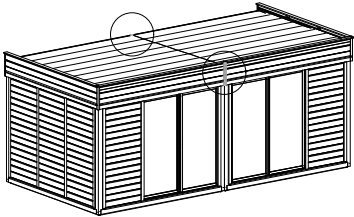


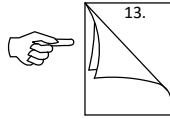
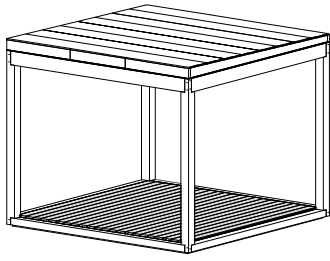
①
M-45x45x2500-F

② x24
T-BC-4x50



11.7 Cube-Garden Cube 3x2/3x3/3x4 CONNECTED CUBE DETAILS





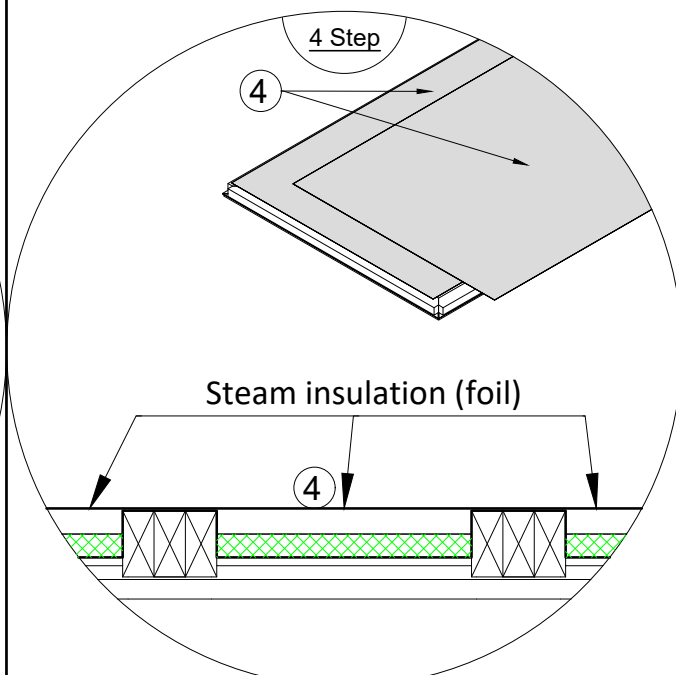
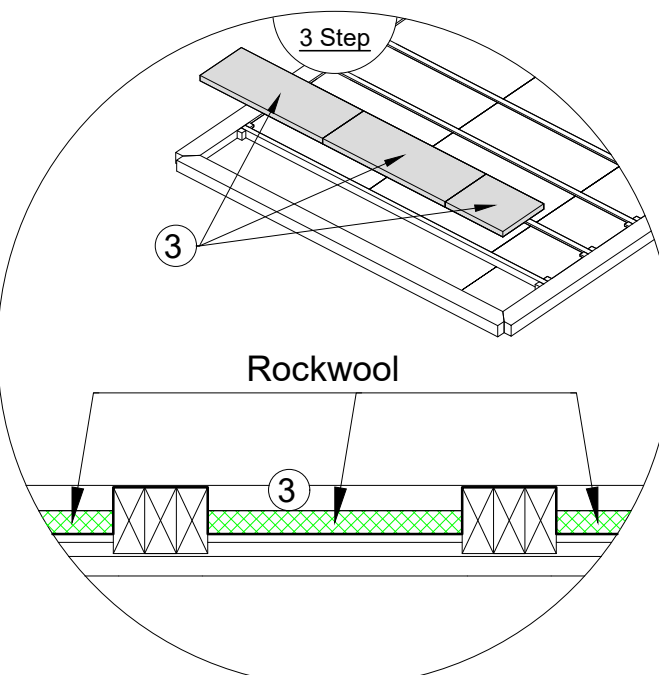
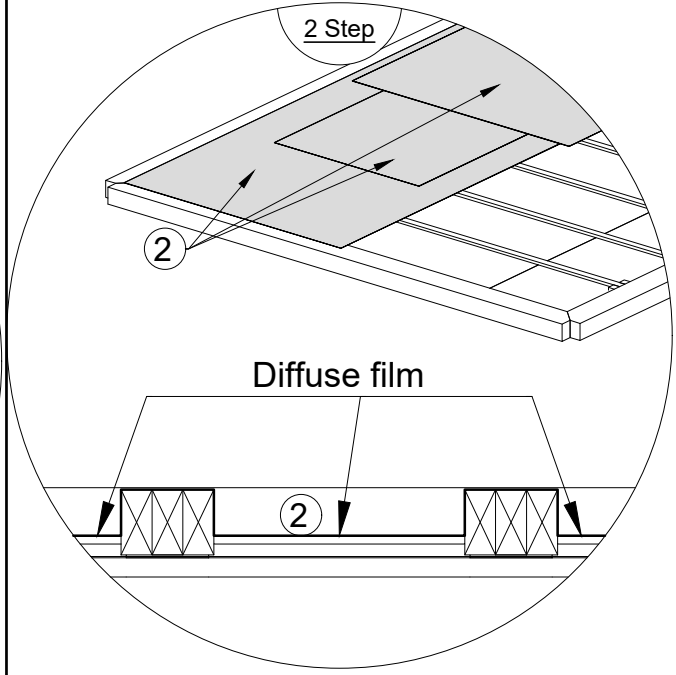
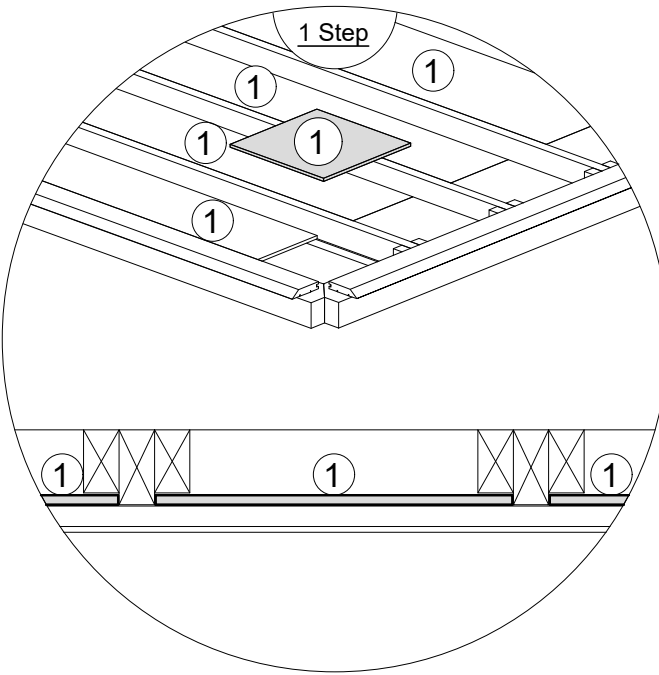
12. Cube-Garden Cube 3x2/3x3/3x4 INSULATED FLOOR ASSEMBLY

①
OSB-9x450x1960-F(3x2-6Pcs.)
or
OSB-9x450x2500-F(3x3-6Pcs.)
OSB-9x450x460-F(3x3-6Pcs.)
or
OSB-9x450x2500-F(3x4-6Pcs.)
OSB-9x450x1460-F(3x4-6Pcs.)

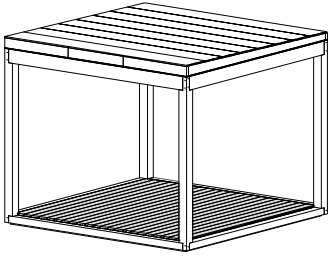
② Diffuse film-(3x2-12m²)
(3x3-18m²)
(3x4-24,75m²)

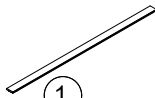
③ Rockwool-(3x2-8,64m²)
(3x3-12,96m²)
(3x4-17,28m²)


④ Steam insulation (foil)-(3x2-10,5m²)
(3x3-12m²)
(3x4-13,5m²)



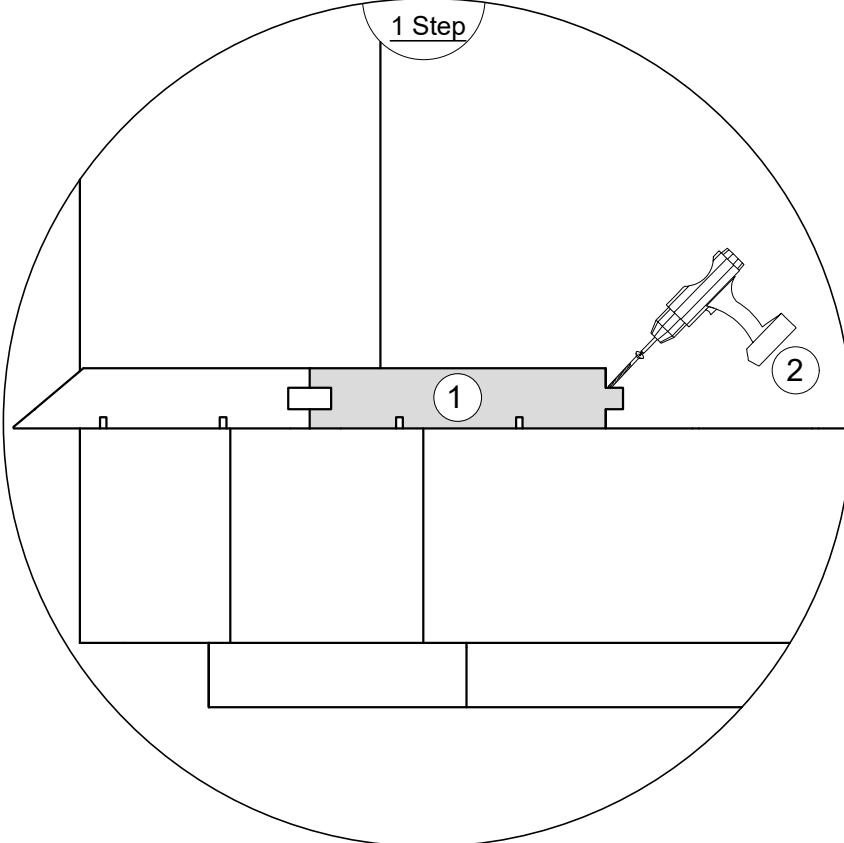
13. Cube-Garden Cube 3x2/3x3/3x4 FLOOR



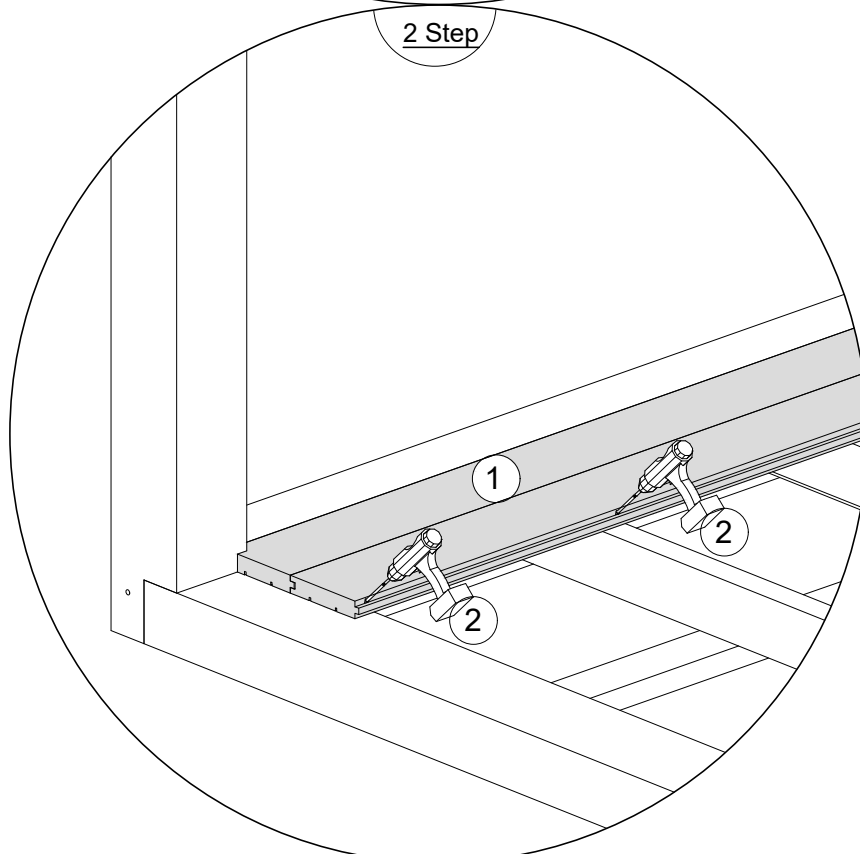
 1
Spunt-28x145x3045(3x2-15Pcs.)
or
Spunt-28x145x3045(3x3-22Pcs.)
or
Spunt-28x145x3045(3x4-30Pcs.)

 2
T-GC-3.5x45(3x2-75Pcs.)
or
T-GC-3.5x45(3x3-154Pcs.)
or
T-GC-3.5x45(3x4-210Pcs.)

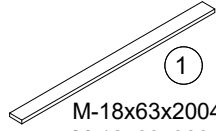
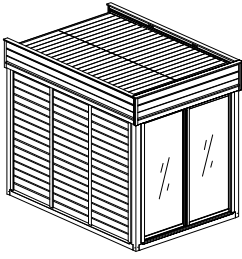
1 Step



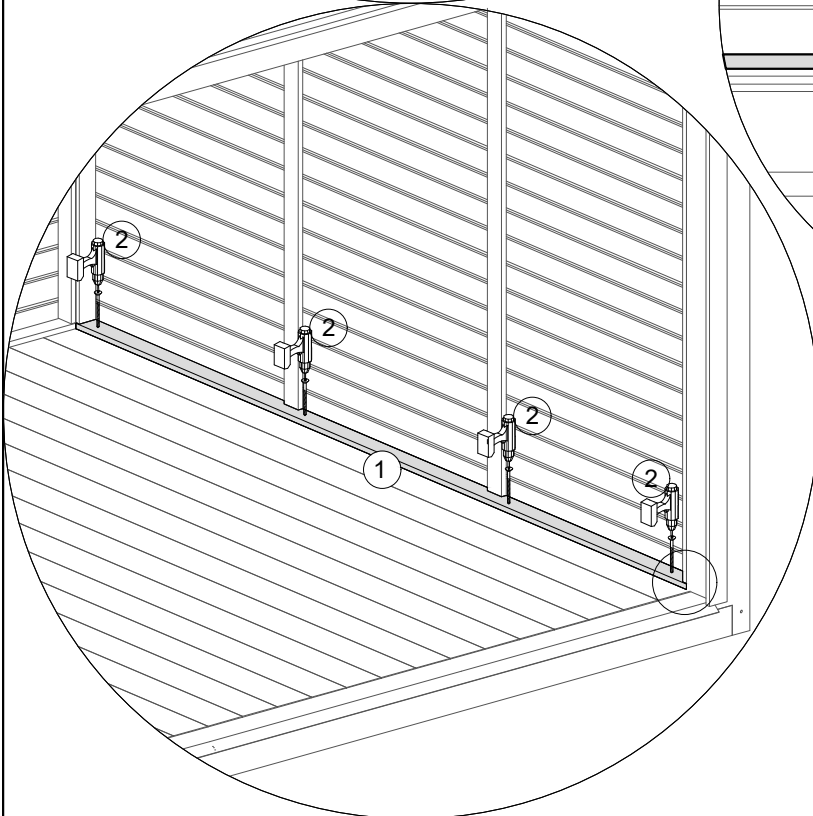
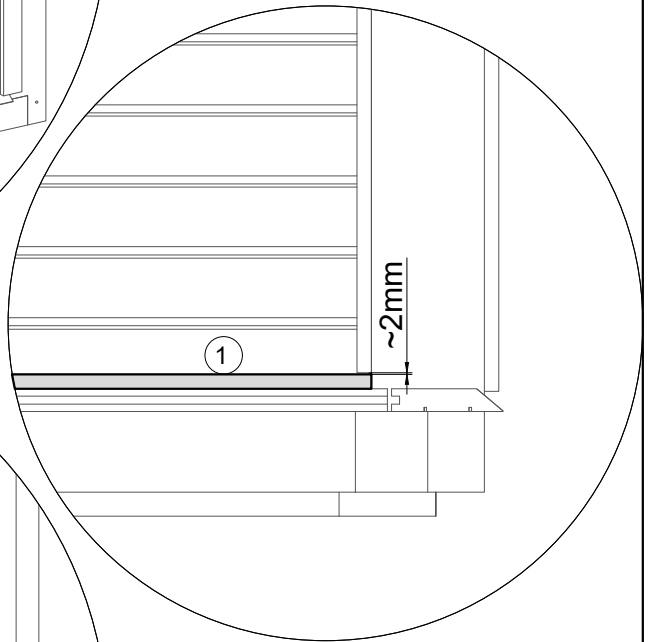
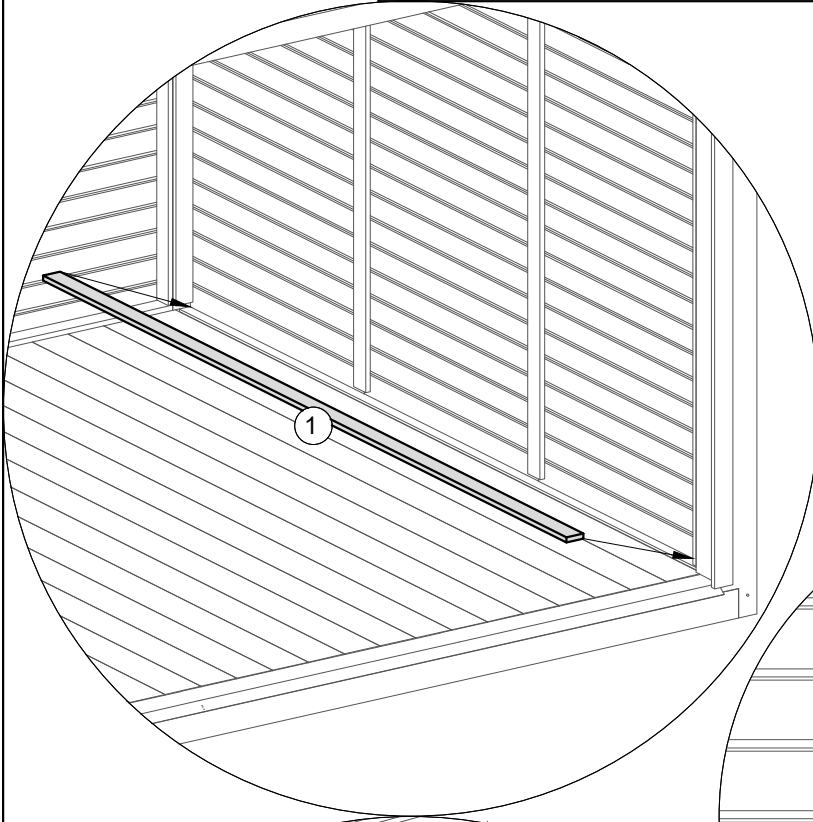
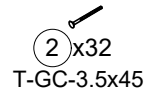
2 Step

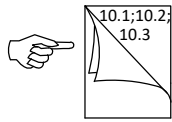
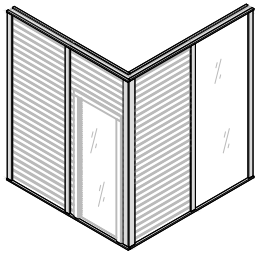


14. Cube-Garden Cube 3x2/3x3/3x4 INSIDE WALLS AND WINDOWS SUPPORTS



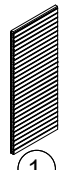
M-18x63x2004(3x2-2Pcs.)
M-18x63x3004(3x2-2Pcs.)
or
M-18x63x3004(3x3-4Pcs.)
or
M-18x63x4004(3x4-2Pcs.)
M-18x63x3004(3x4-2Pcs.)
or
OTHER



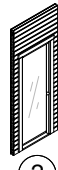


15. Cube-Garden Cube 3x2/3x3/3x4 INTERNAL PARTITIONS

- ⑤ x16
T-GC-3.5x45
- ⑥ x8
T-BC-4x70



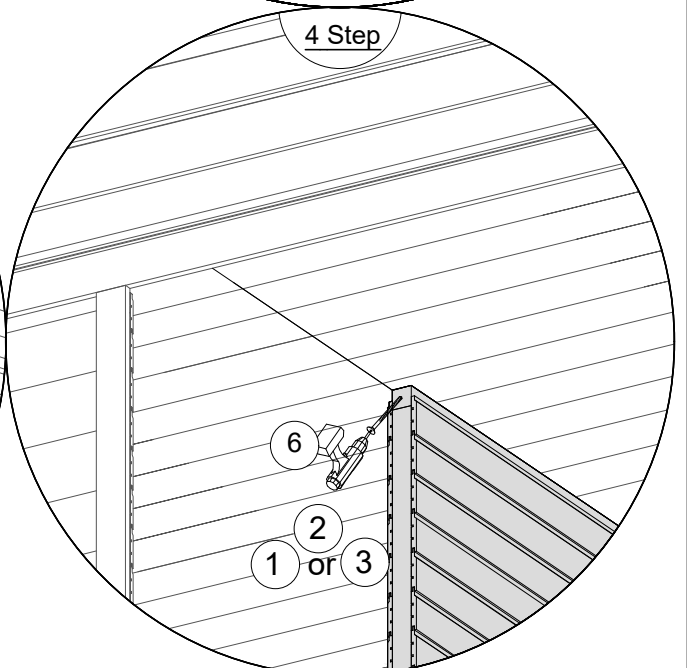
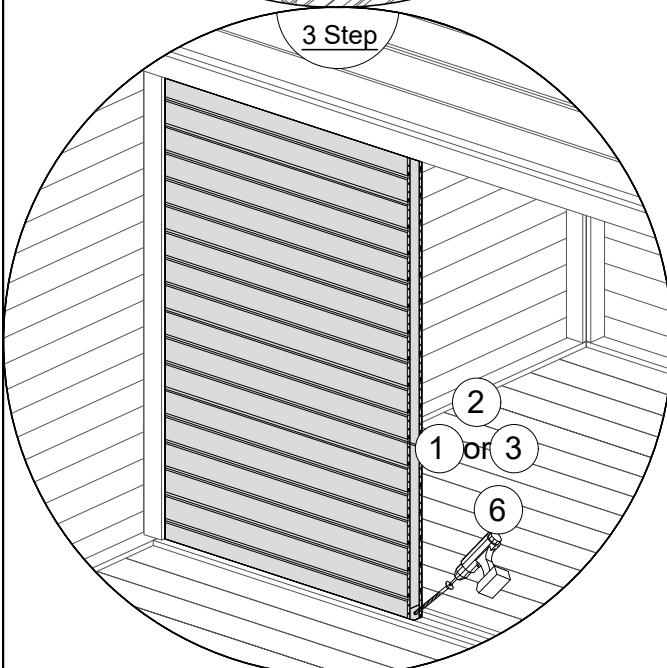
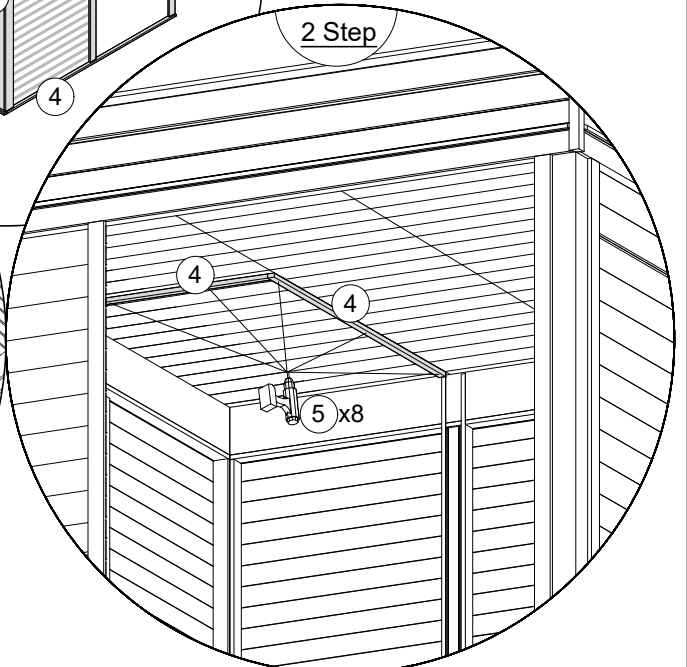
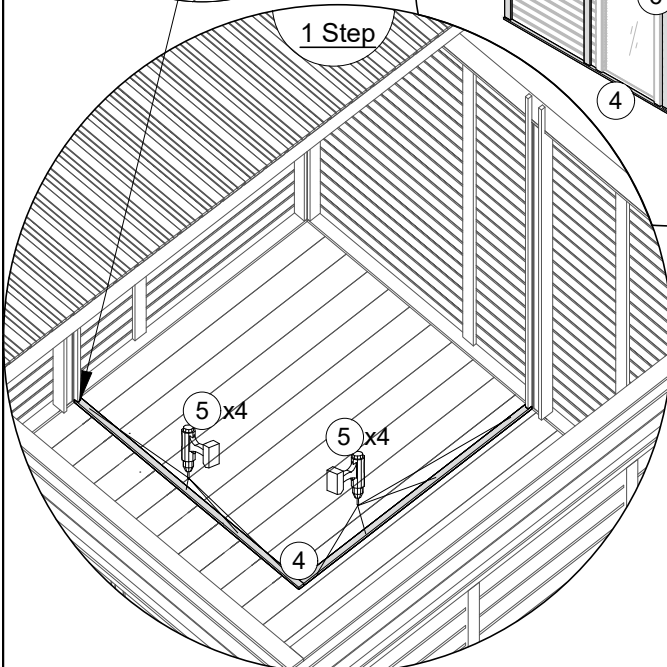
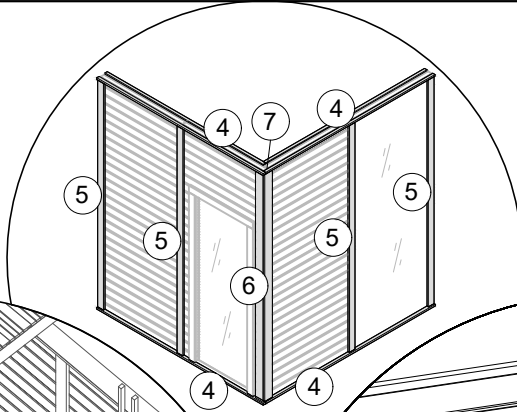
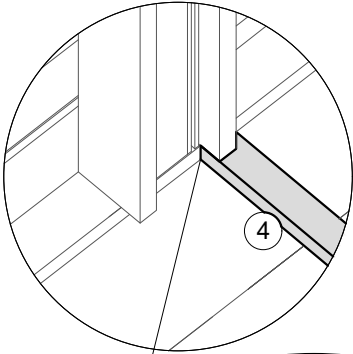
OR

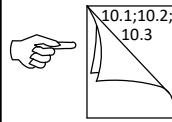
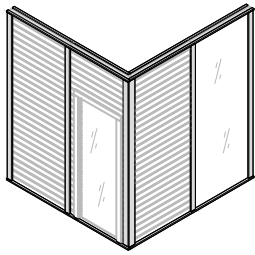


OR

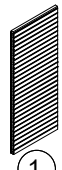


- ①
C-PUS00075-II
or
OTHER
- ②
C-PUS00103-IIIH
or
OTHER
- ③
C-PUS0007501-I
or
OTHER
- ④ x4
M-18x30x2100
- ⑦ x2
M-34x70x2364-F



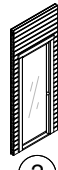


15.1 Cube-Garden Cube 3x2/3x3/3x4 INTERNAL PARTITIONS



①
C-PUS00075-II
or
OTHER

OR

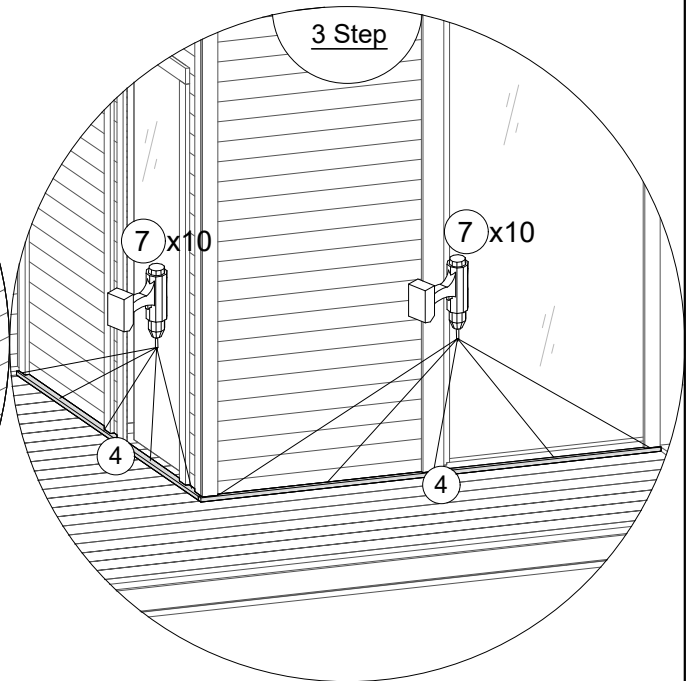
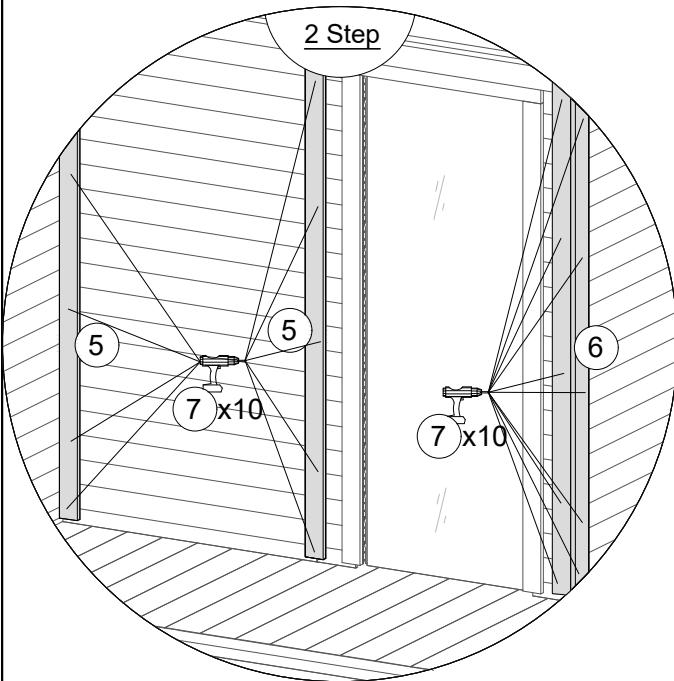
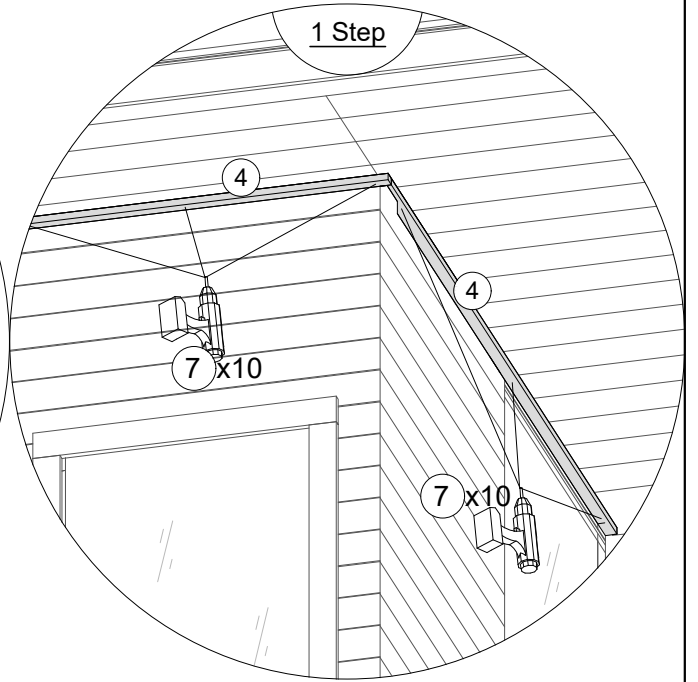
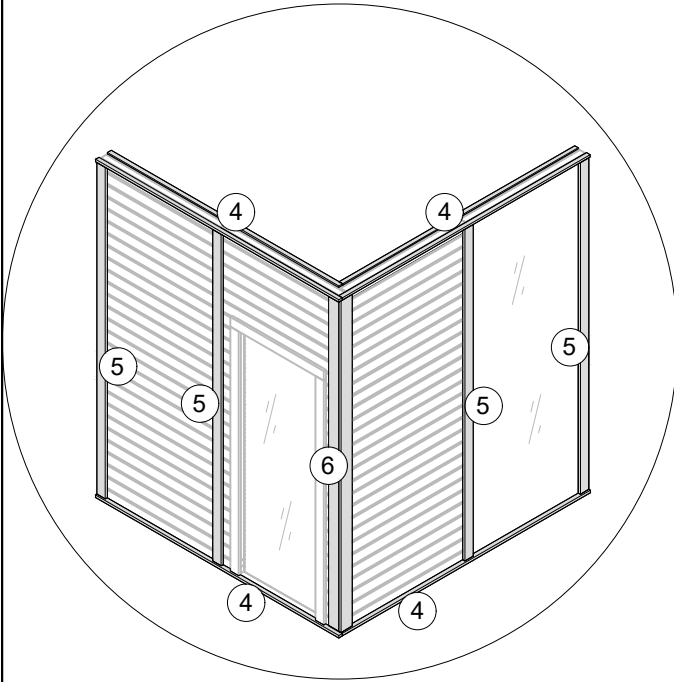
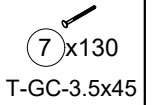
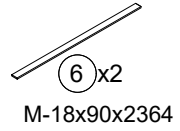
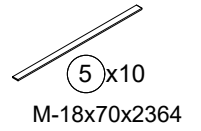
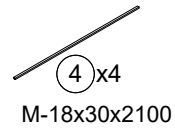


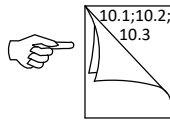
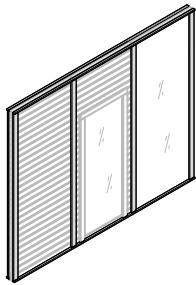
②
C-PUS00103-IIIH
or
OTHER

OR



③
C-PUS0007501-I
or
OTHER

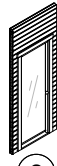




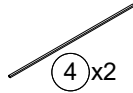
15.2 Cube-Garden Cube 3x2/3x3/3x4 INTERNAL PARTITIONS



OR



OR



(4) x2
M-18x30x3100



(5) x20
T-GC-3.5x45

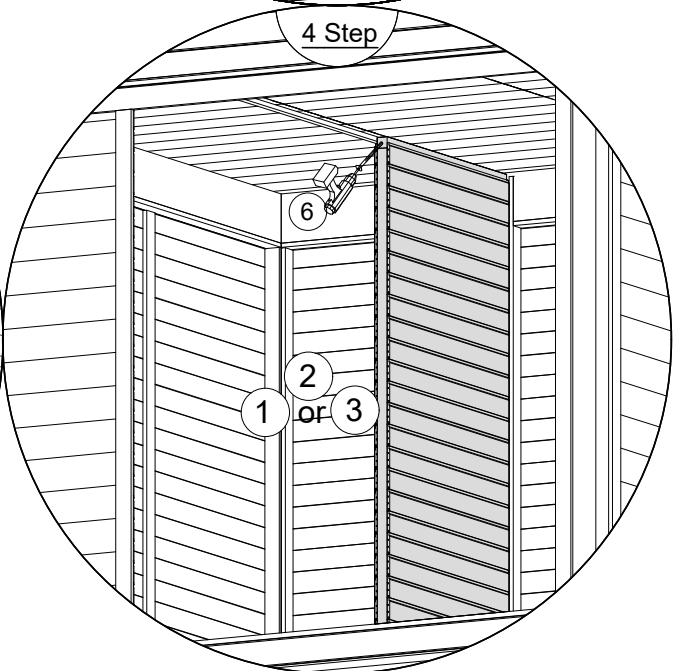
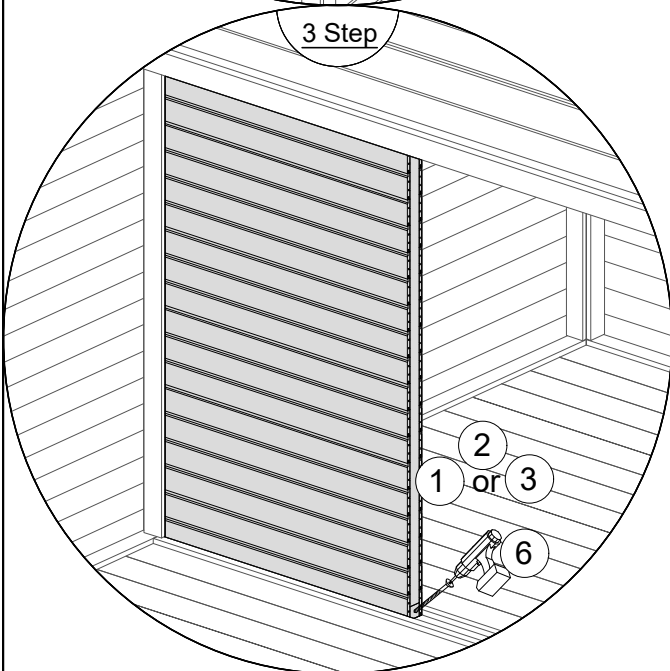
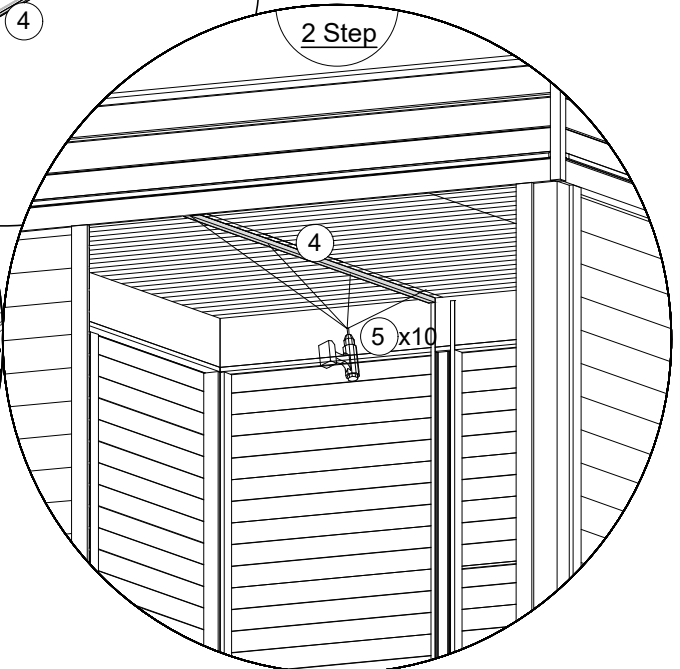
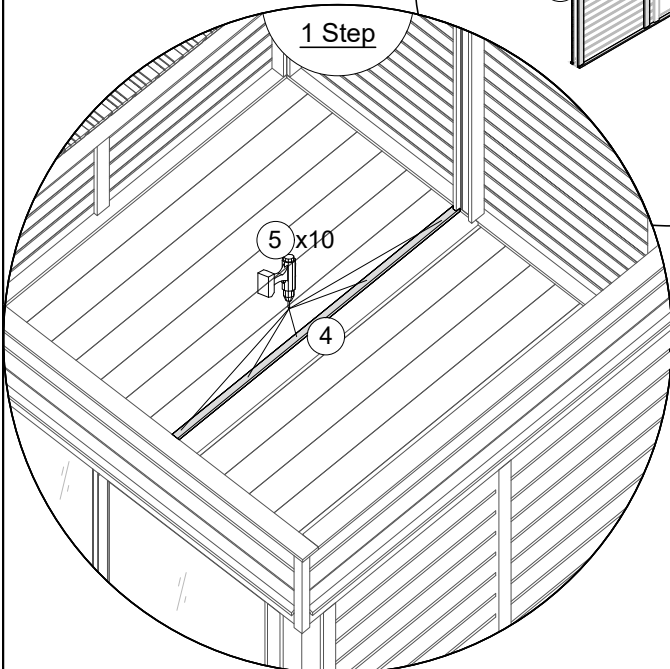
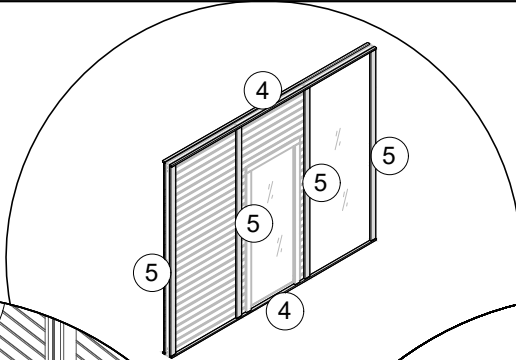


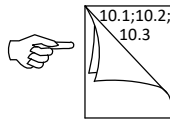
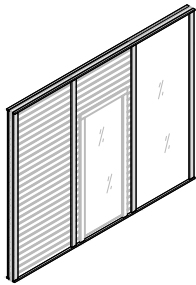
(6) x6
T-BC-4x70

(1)
C-PUS00075-II
or
OTHER

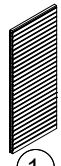
(2)
C-PUS00103-IIIH
or
OTHER

(3)
C-PUS0007501-I
or
OTHER

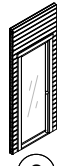




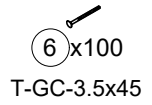
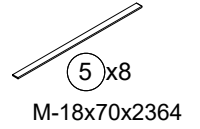
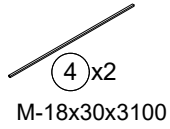
15.3 Cube-Garden Cube 3x2/3x3/3x4 INTERNAL PARTITIONS



OR



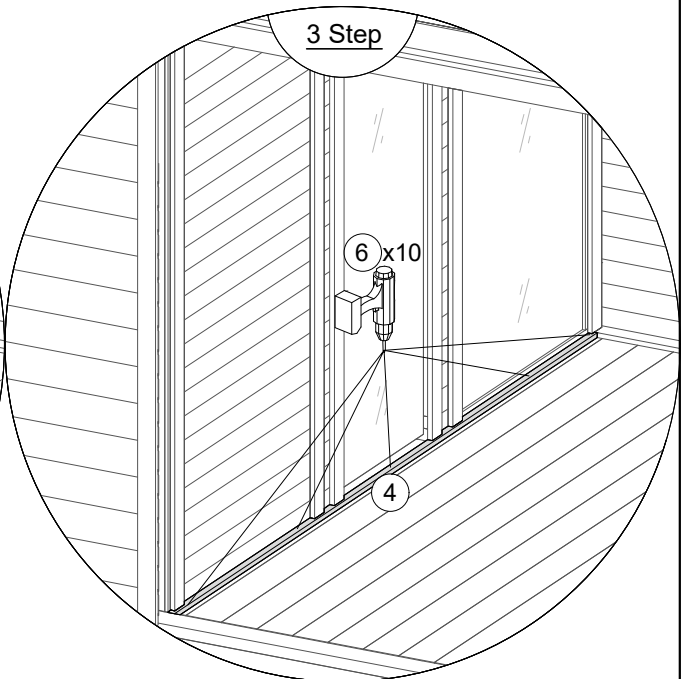
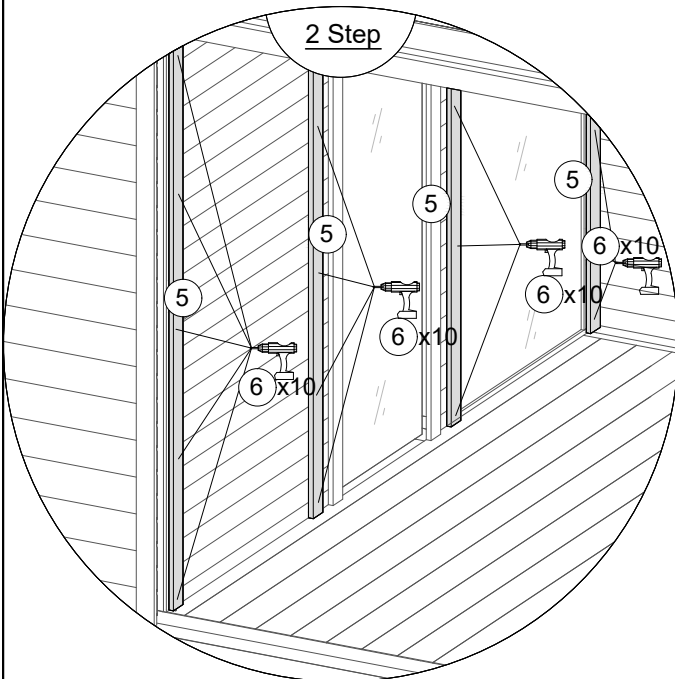
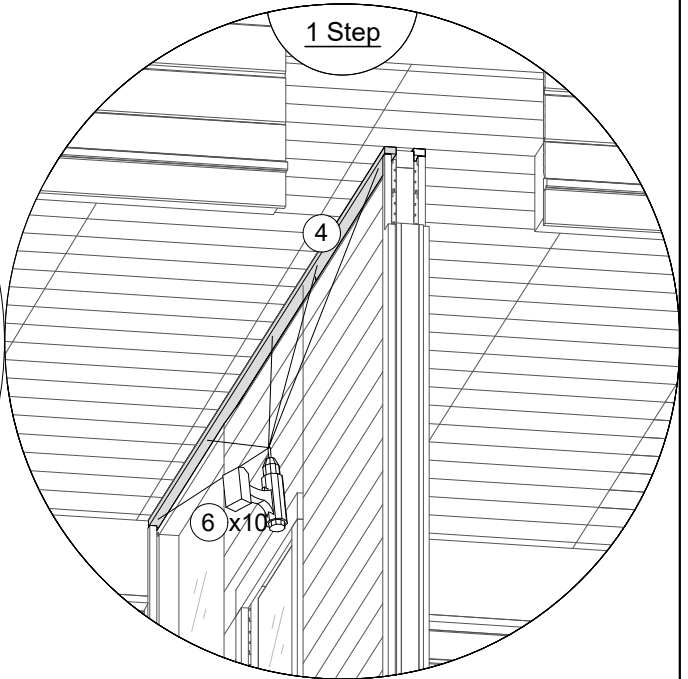
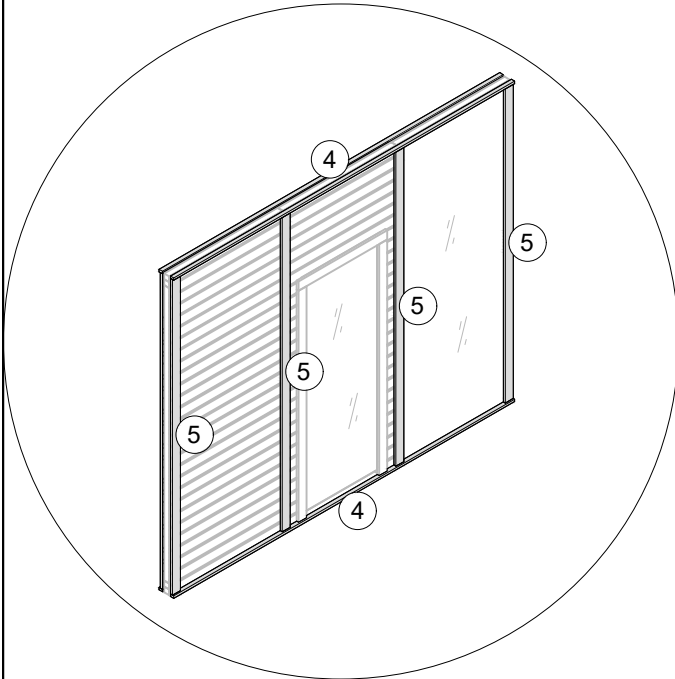
OR

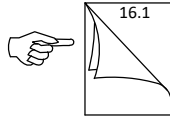
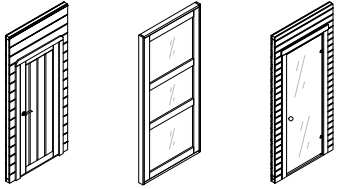


①
C-PUS00075-II
or
OTHER

②
C-PUS00103-IIIIH
or
OTHER

③
C-PUS0007501-I
or
OTHER





16. Cube-Garden Cube 3x2/3x3/3x4 DOOR ASSEMBLY



Stakta-70x690x1850
or
Stakta-70x700x1760
or
Stakta-70x990x2200
or
OTHER

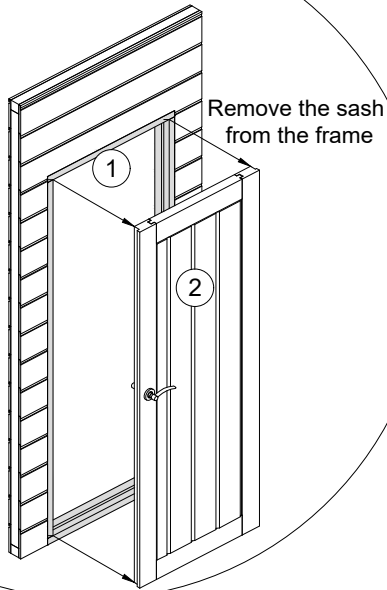


Varcia-45x620x1700
or
Varcia-45x659x1700
or
Varcia-45x946x2135
or
OTHER

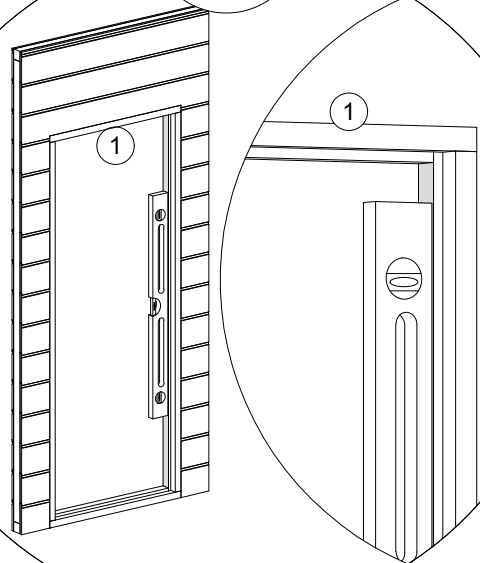


T-BC-4x70

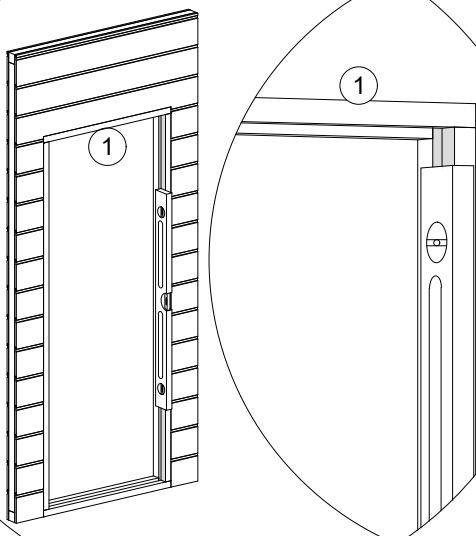
1 Step



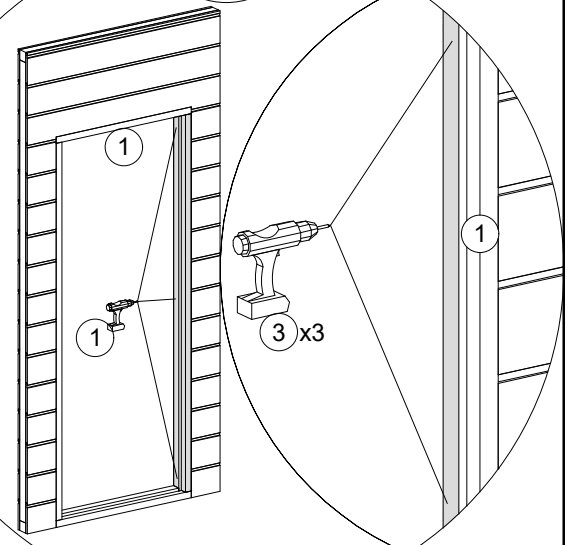
2 Step



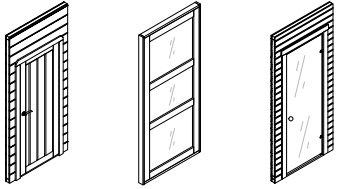
3 Step




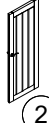
4 Step

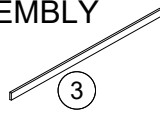



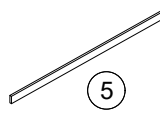
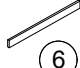
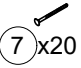
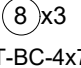
16.1 Cube-Garden Cube 3x2/3x3/3x4 DOOR ASSEMBLY



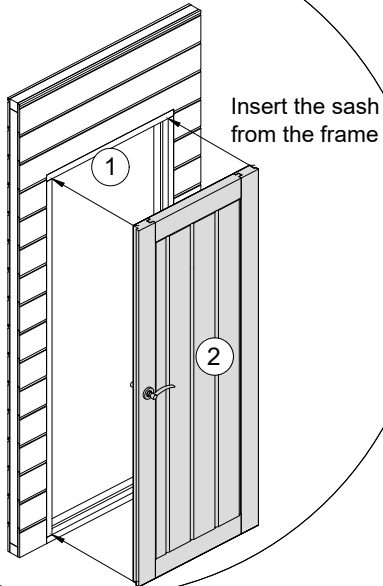
 **1**
 Stakta-70x690x1850
 or
 Stakta-70x700x1760
 or
 Stakta-70x990x2200
 or
 OTHER

 **2**
 Varcia-45x620x177
 0 or
 Varcia-45x659x1700
 or
 Varcia-45x946x2135
 or
 OTHER

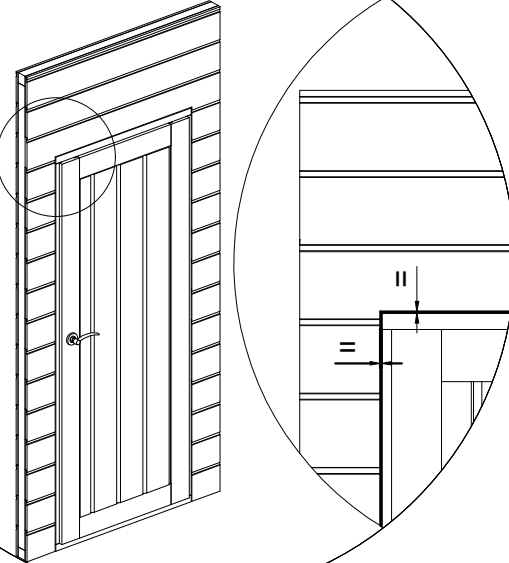
 **3**
 M-18x70x1695
 **4**
 M-18x70x810-F

 **5**
 M-18x70x1825
 **6**
 M-18x70x795
 **7** x20
 T-GC-3.5x45
 **8** x3
 T-BC-4x70

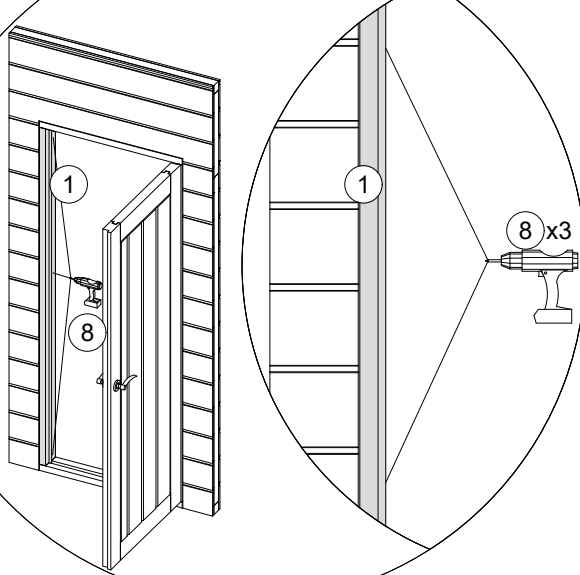
1 Step



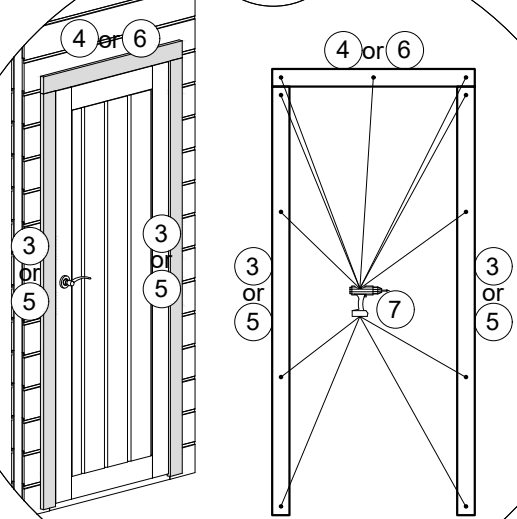
2 Step



3 Step

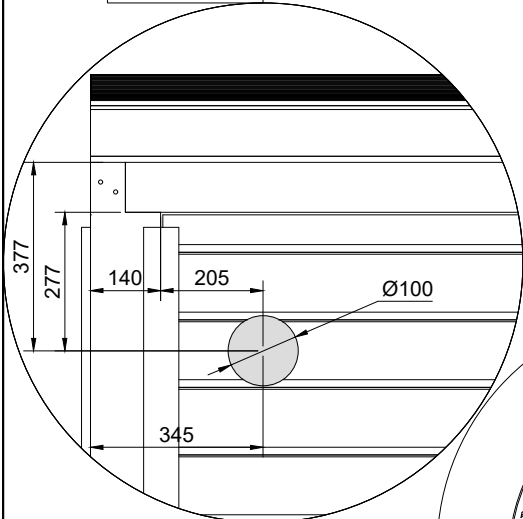


4 Step

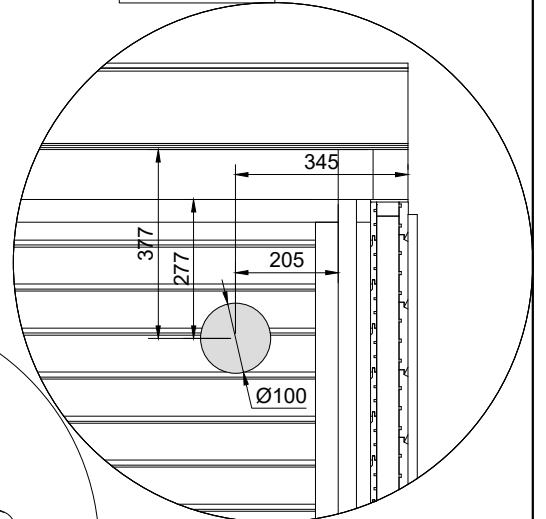


VENTILATION INSTALLATION

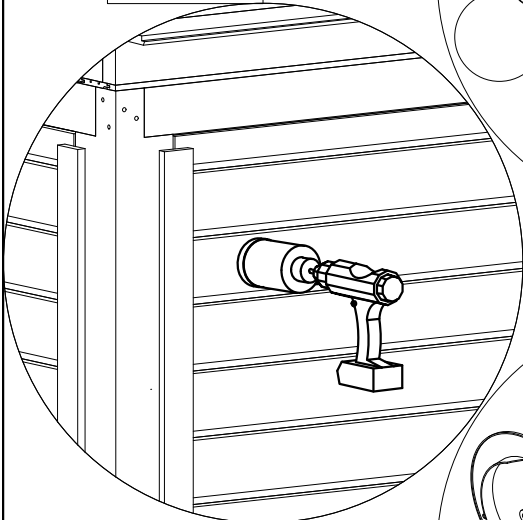
1 STEP



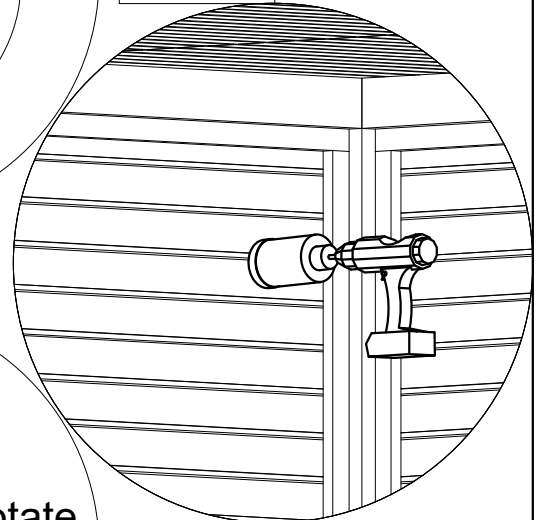
4 STEP



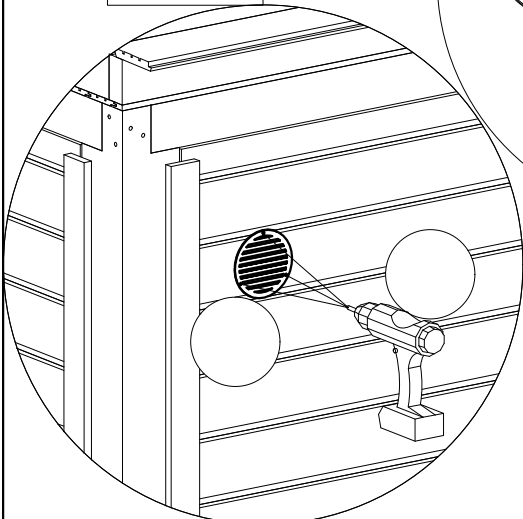
2 STEP



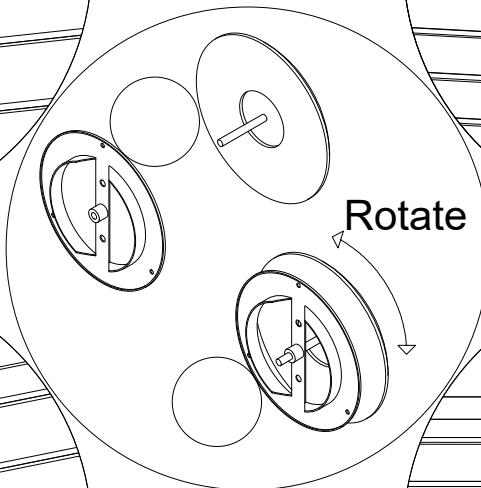
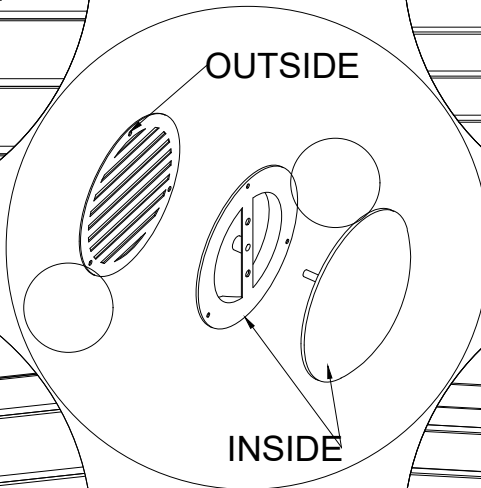
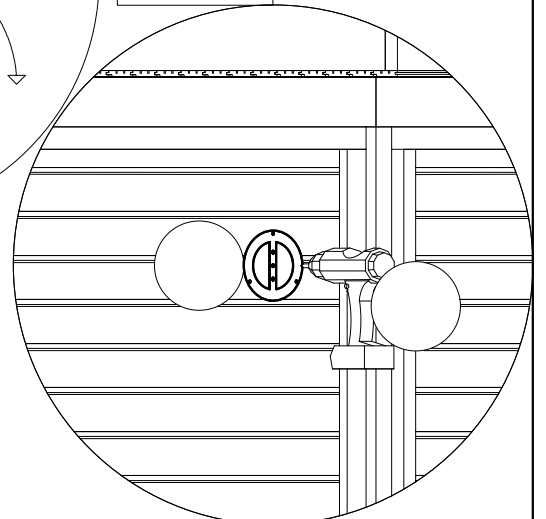
5 STEP



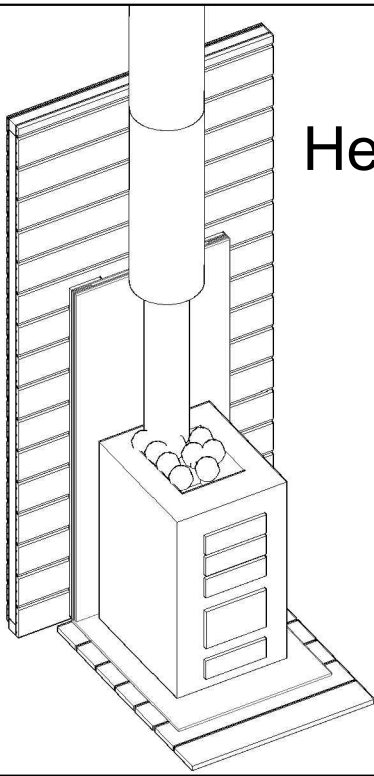
3 STEP







6 STEP

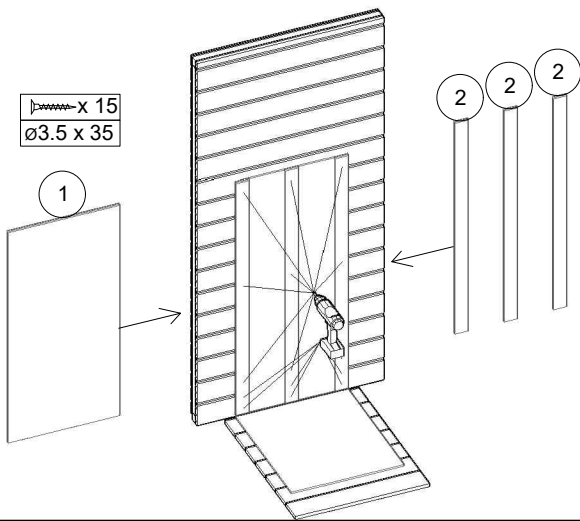


Sauna Cube Heat resistant Panels

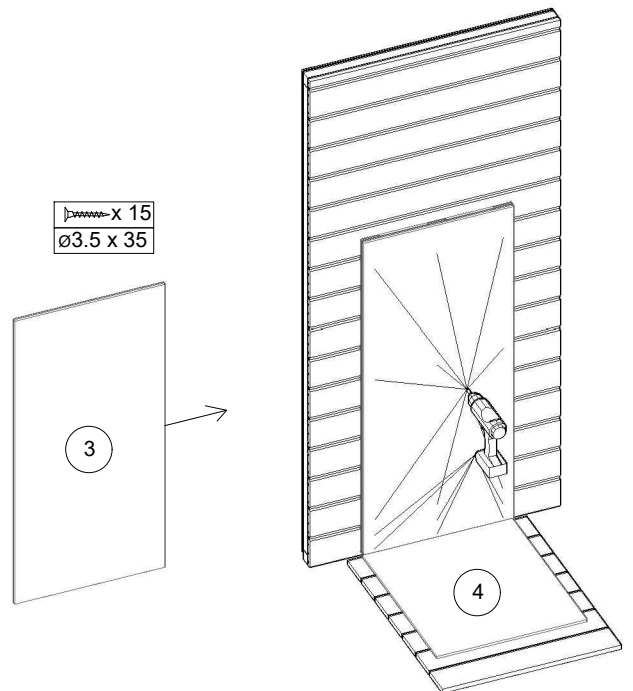


1		700hx600x10
2		700hx70x10
3		800hx600x10
4		900hx600x10

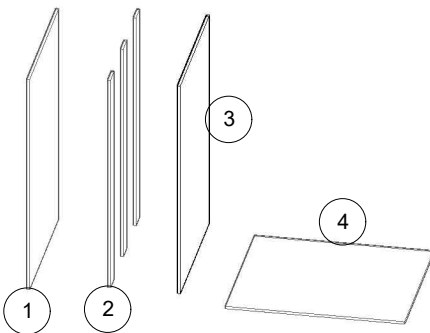
1



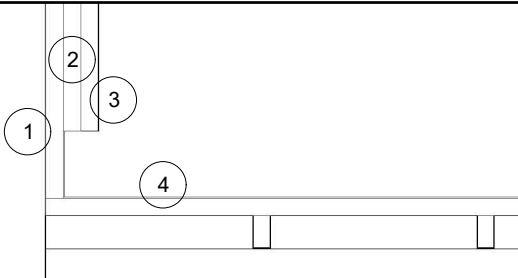
2



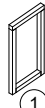
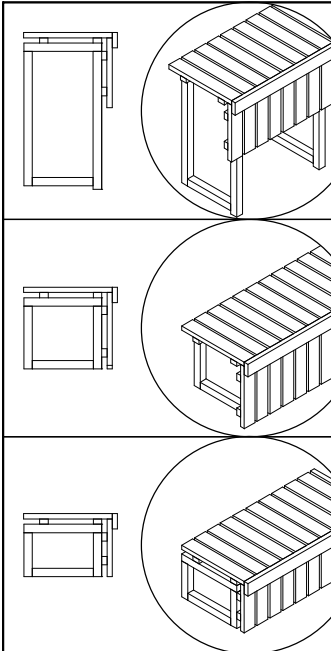
2



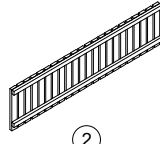
4



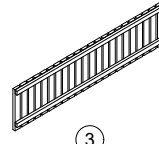
SAUNA BENCHES ASSEMBLING INSTRUCTION



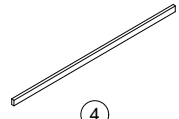
①
C-koja-337x422
or
C-koja-437x465
or
C-koja-878x422



②
C-gultas-1000x465
or
C-gultas-1950x465
or
C-gultas-1980x465
or
C-gultas-2980x465



③
C-gultas-1000x365



④
Mpl-16x90x1000
or
Mpl-16x90x1500
or
Mpl-16x90x1980
or
Mpl-16x90x2980



⑤
C-gultas-365x449

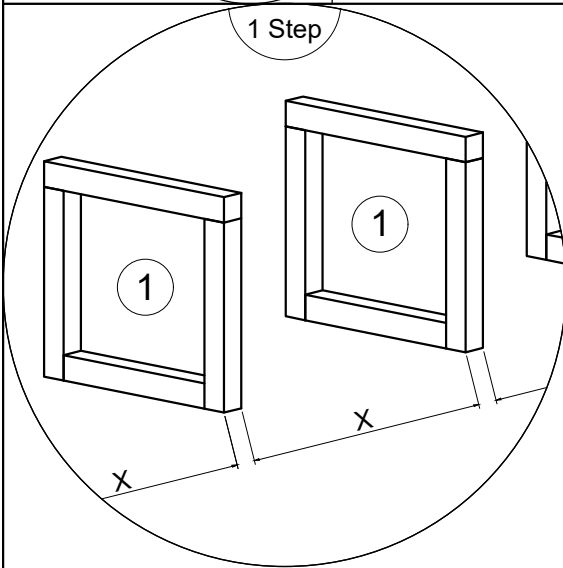


⑥
T-BC-4x50

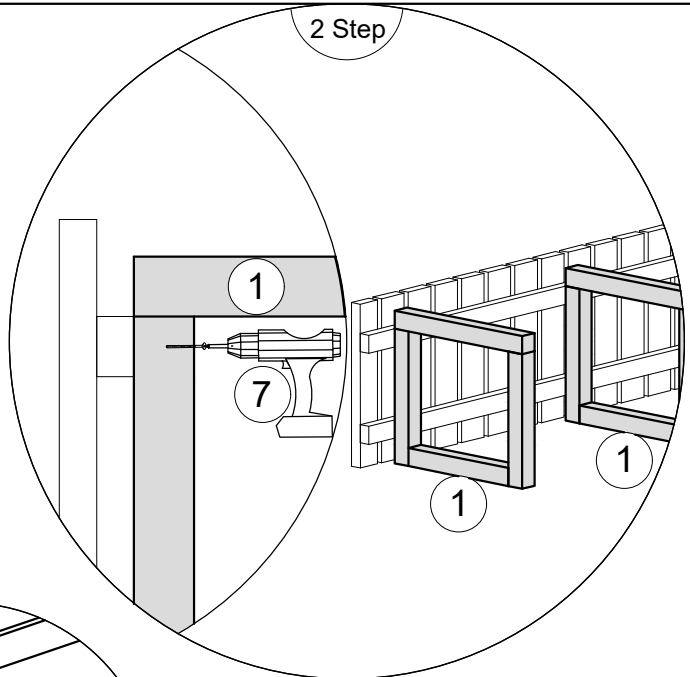


⑦
T-GC-5x80

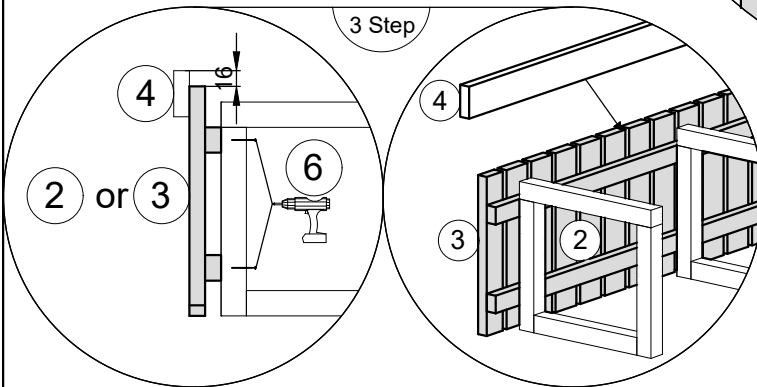
1 Step



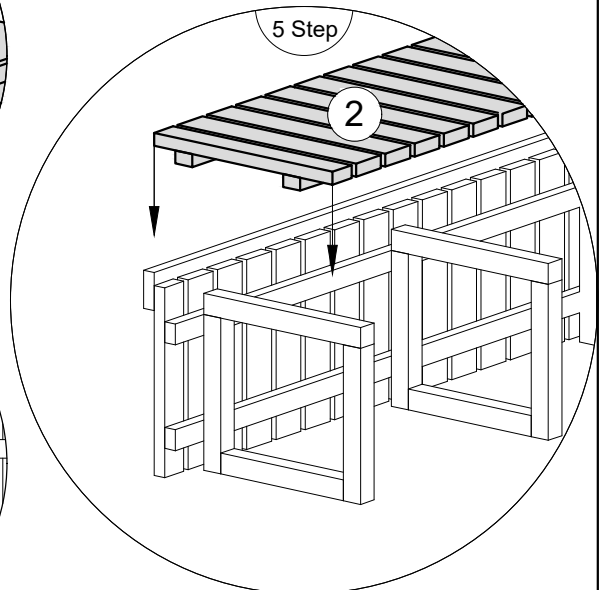
2 Step



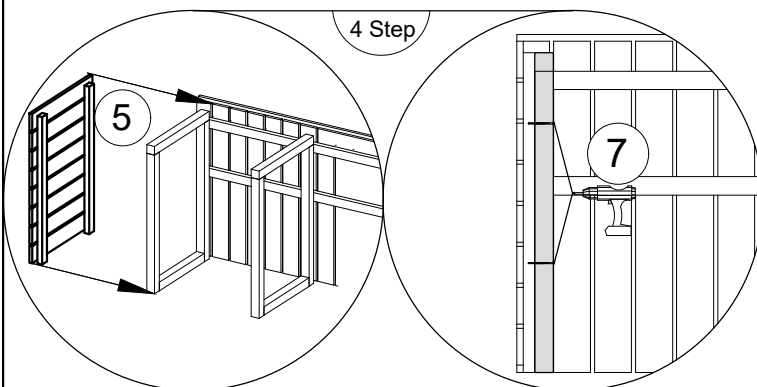
3 Step



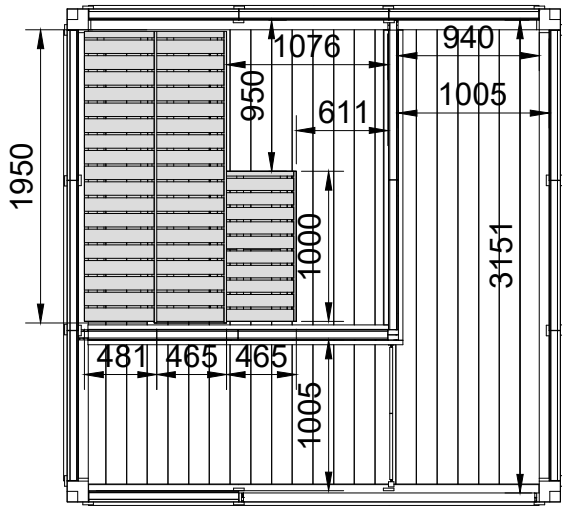
5 Step



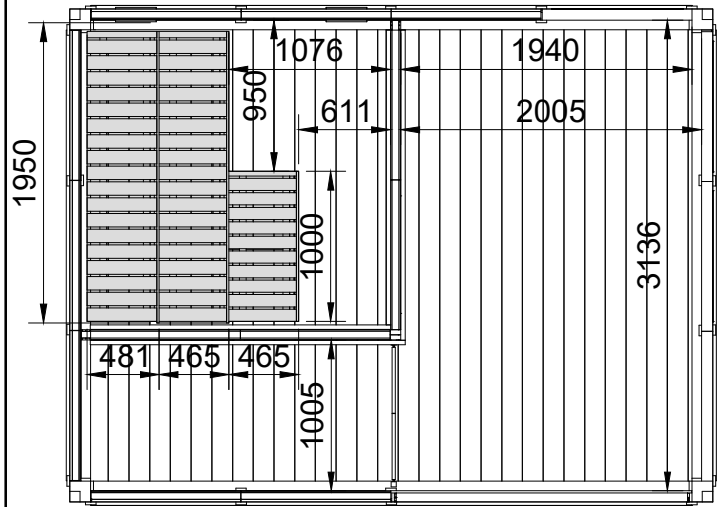
4 Step



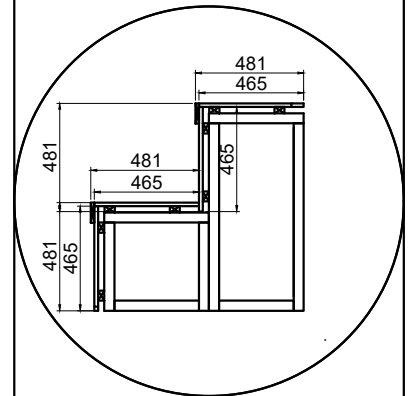
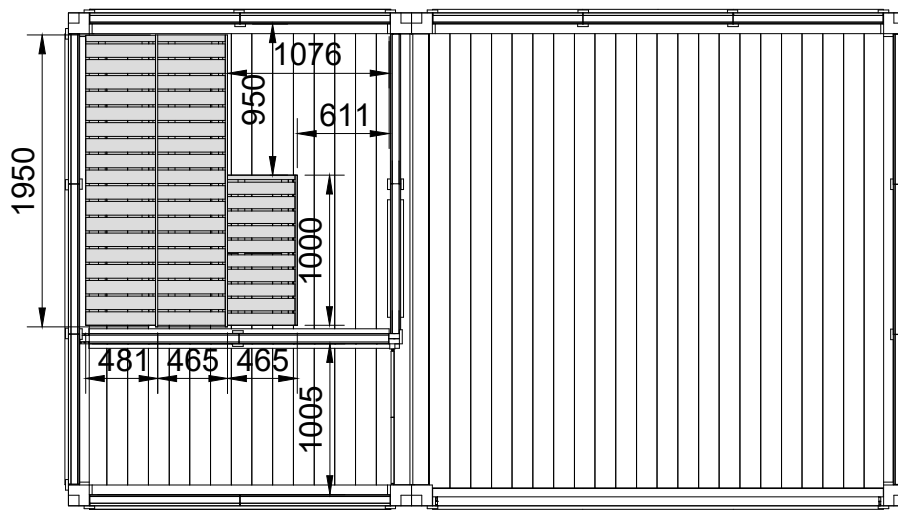
SAUNA CUBE 3 X 3 M
WITH CHANGING
ROOM



SAUNA CUBE 3 X 4 M
WITH LOUNGE



SAUNA CUBE 3 X 5 M
WITH LOUNGE



SAUNA CUBE 3 X 6 M
WITH LOUNGE

