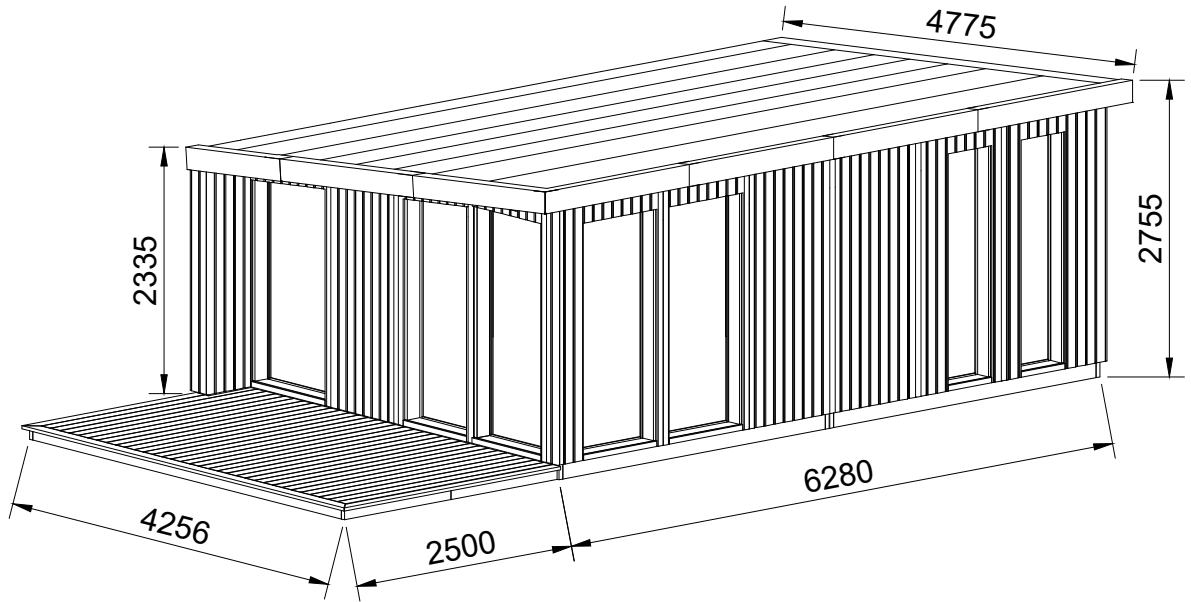




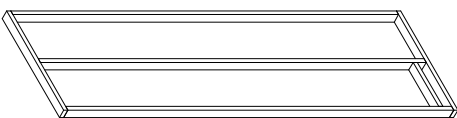
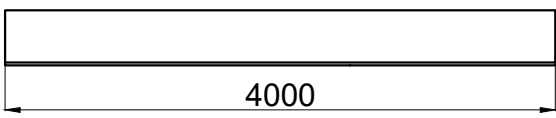
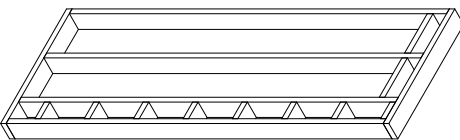
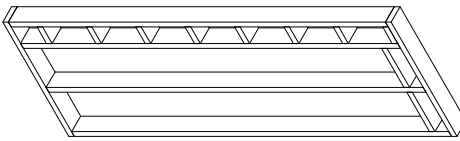
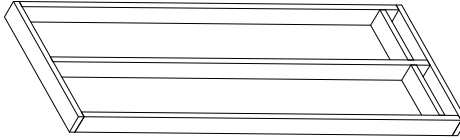
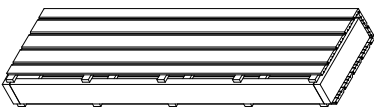


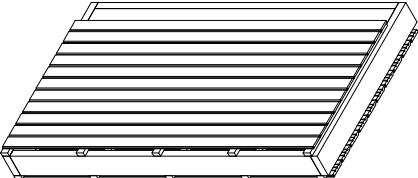
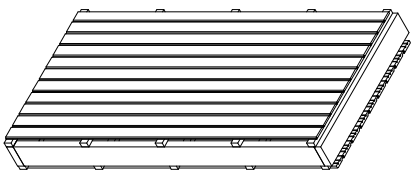
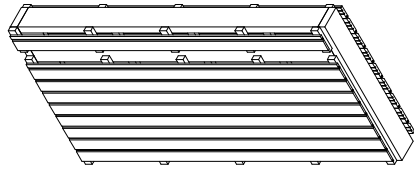
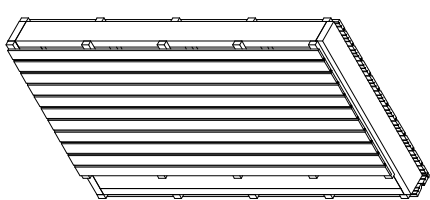
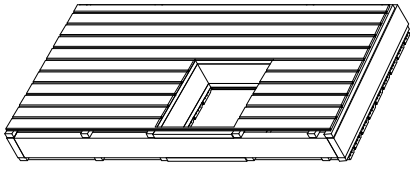
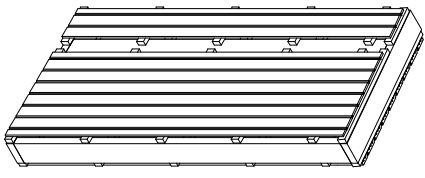
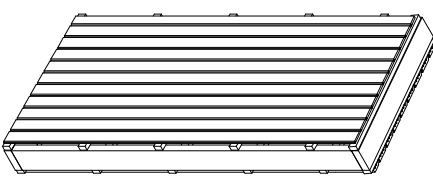
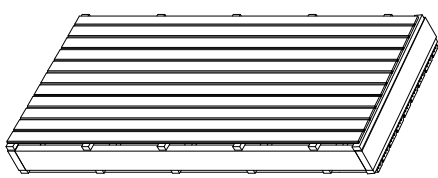
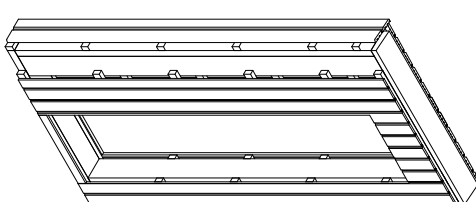
LOFTHOUSE I 24m<sup>2</sup>  
LH2402



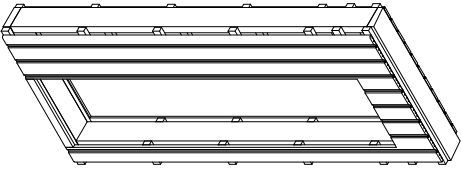
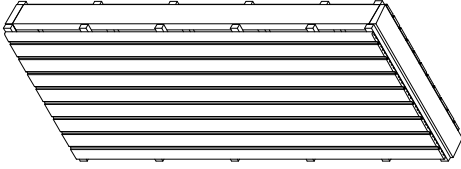
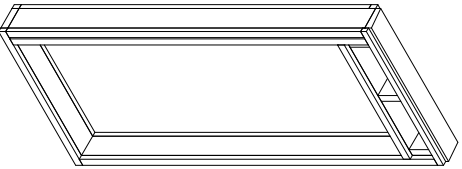
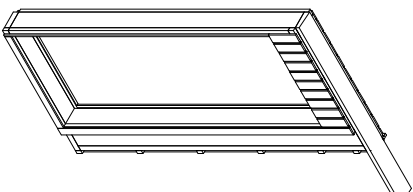
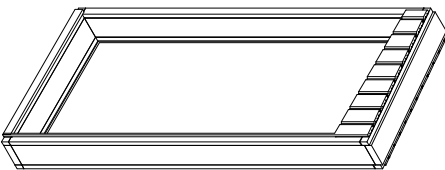
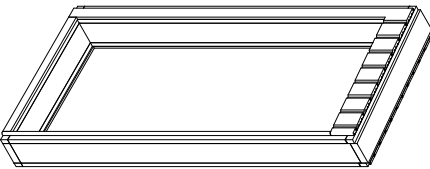

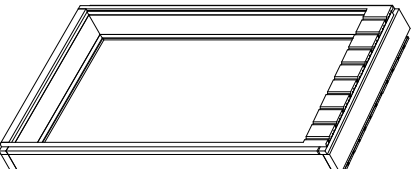
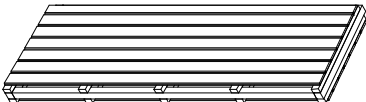
**LOFTHOUSE | 24m2 DETAILS**

No.	DETAIL	CODE	Pcs
<b>CEILING</b>			
1.		Ter-28x120x2400	33
2.		Ter-28x120x2519-F(k)	1
3.		Ter-28x120x2519-F(d)	1
4.		Ter-28x120x4345-2F	1
5.		LH-Ter-1235x4256	2
6.		Spunt-28x146x4000	44
7.		LH-GR-1070x3145-(d)	2
8.		LH-GR-1070x3145-(k)	2
9.		LH-GR-1070x3145	4
<b>WALL PANELS</b>			
10.		LH-S-500x2060	1

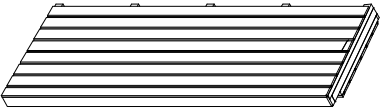

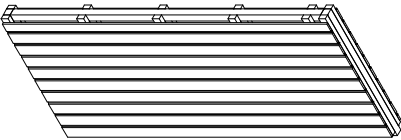














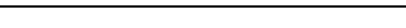
LOFTHOUSE I 24m2 DETAILS

No.	DETAIL	CODE	Pcs
11.		LH-S-1150x2038-(k)	1
12.		LH-S-1000x2038	3
13.		LH-Svid-1000x2038	1
14.		LH-S-1150x2038-(d)	1
15.		LH-SL(500x500)-1000x2120-(d)	1
16.		LH-S-1000x2208-(d)	1
17.		LH-S-1000x2295-(d)	1
18.		LH-S-1000x2383-(d)	1
19.		LH-SL(500x290)-1150x2402-(d)	1


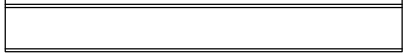



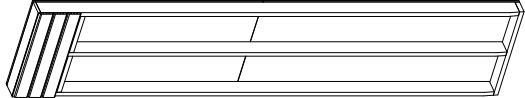
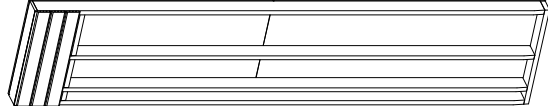
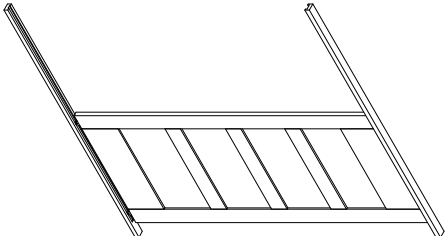

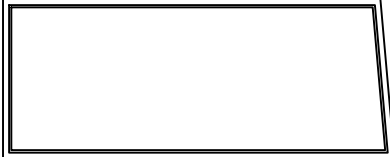
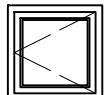
**LOFTHOUSE I 24m2 DETAILS**

No.	DETAIL	CODE	Pcs
20.		LH-SL(500x2090)-1000x2402	1
21.		LH-S-1000x2402	2
22.		LH-SL(845x2090)-1000x2402	1
23.		LH-SL(845x2090)-1150x2402-(k)	1
24.		LH-SL(845x2090)-1000x2383-(k)	1
25.		LH-SL(845x2071)-1000x2295-(k)	1
26.		LH-S-910x2208-(k)	1
27.		LH-SL(990x1914)-1090x2128-(k)	1
28.		LH-S-658x2044-(k)	1

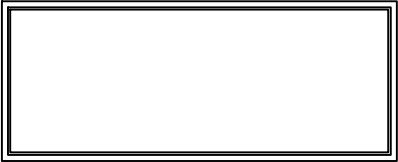

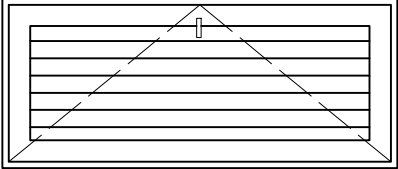
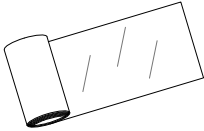
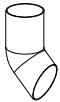

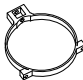


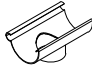








**LOFTHOUSE | 24m2 DETAILS**

No.	DETAIL	CODE	Pcs
29.		LH-S-658x2102-(k)	1
30.		LH-SD-(790x1800)-891x2102	1
31.		LH-S-904x2102	1
<b>FINISHING BOARD, OUTSIDE</b>			
32.		Md-18x58x2038-2F	7
33.		Md-18x58x2382-2F	5
34.		Md-18x58x2386-2F	8
35.		Md-18x50x995-2F	1
36.		Md-18x50x905-2F	1
37.		Md-18x50x850-2F	3
38.		Md-18x50x505-2F	3
<b>FINISHING BOARD, INSIDE</b>			
39.		Md-12x58x1985-2F	5
40.		Md-12x58x2013-2F	5
41.		Md-12x58x2360-2F	10
42.		Md-12x50x995-2F	1
43.		Md-12x50x905-2F	1
44.		Md-12x50x850-2F	3
45.		Md-12x50x505-2F	3
46.		Md-12x20x2500-2F	20


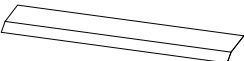














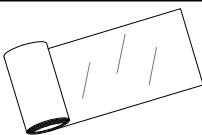
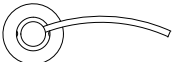

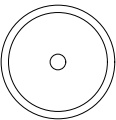

**LOFTHOUSE | 24m2 DETAILS**

No.	DETAIL	CODE	Pcs
47.		M-10x20x2500-2F	26
48.		Md-18x145x4100	32
49.		Md-18x145x2500	32
<b>ROOF PANELS</b>			
50.		LH-Stog-500x4755	1
51.		LH-Stog-1050x4755-(k)	1
52.		LH-Stog-1050x4755	4
53.		LH-Stog-1050x4755-(d)	1
<b>WINDOWS AND DOORS</b>			
54.		PUS00156	1
55.		LH-L-990x1817/1903	1
56.		LH-L-845x1997/2071	1
57.		LH-L-500x2090d	1

LOFTHOUSE | 24m2 **DETAILS**

No.	DETAIL	CODE	Pcs
58.		LH-L-845x2090	2
59.		LH-L-500x2090	2
60.		LH-D-900x2090d	1
<b>OTHER DETAILS</b>			
61.		Mid-3x500x5000	18
62.		Liet-d80-alkune	2
63.		Liet-lietlov-laikiklis	14
64.		Liet-lietvamzd-laikiklis	4
65.		Liet-lietvamzd-3m	2
66.		Liet-lietlov-3m	3
67.		Liet-d80-ilaja	2
68.		Liet-akle-kaire	1
69.		Liet-akle-desine	1
70.		Sk-LH-Stog-1000	1
71.		Sk-LH-Stog-900	4
72.		Sk-LH-Stog-550	3
73.		Sk-LH-Pal- 1000	1
74.		Sk-LH-Pal- 900	3
75.		Sk-LH-Pal- 950	1

LOFTHOUSE | 24m2 **DETAILS**

No.	DETAIL	CODE	Pcs
76.		Sk-LH-Pal- 550	3
77.		Sk-LH-Kraig-lietlov-1650	5
78.		Sk-LH-Kraig-son-apac-1600	6
79.		Sk-LH-Kraig- son-vir -1600(d)	1
80.		Sk-LH-Kraig- son-vir -1600(k)	1
81.		Sk-LH-Kraig-priek-1600	5
82.		T-BC-3.5x45	1390
83.		T-GC-4x70	20
84.		T-GCTer-5x60	360
85.		T-GC-5x100	376
86.		T-GC-8x200	35
87.		T-V-1.55x32	882
88.		T-V-2x20	300
89.		T-skardai-4.8x28	105
90.		T-BC-4x50	130
91.		T-JC-4.2x13	80
92.		Plévelė (folija) garo izoliacin ALU 6x1.5m	4
93.		"LAURA" F0029	1
94.		Ki0006	2
95.		PR0161	2
96.		F0028	1



# LOFTHOUSE I 24m2 FOUNDATION

It is very important to have a proper foundation.

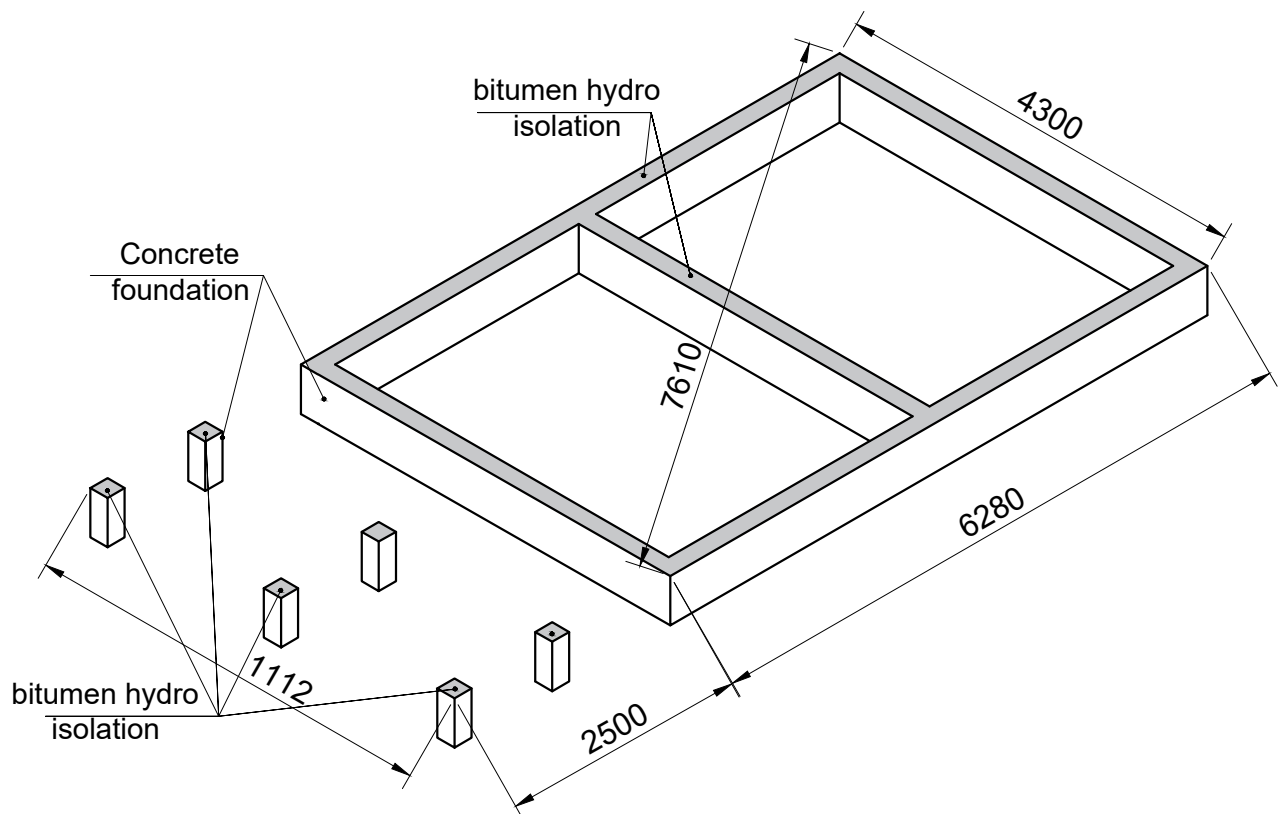
Therefore we recommend making the foundation according to the sketches here. First of all, foundation must be prepared according to the landscape and ground conditions.

The foundation under the product must be prepared specially, it must be homogeneous, tight and equal. It must be ensured that it will not change its properties. We recommend using concrete foundation. Before installation of product, we recommend to make hydro isolation of foundation.

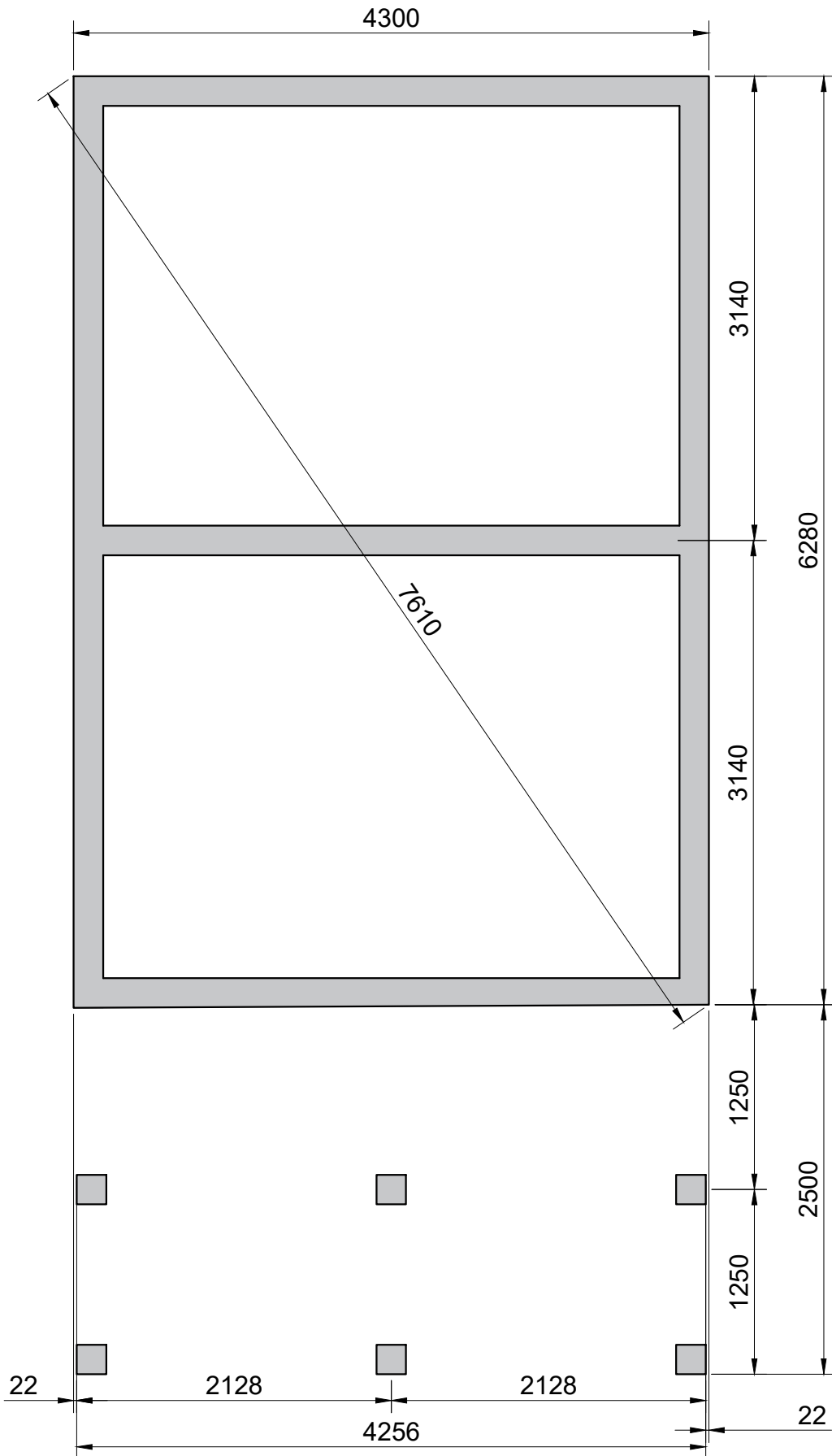
Consult a local qualified builder or an engineer to prepare a proper foundation, which fits to your location.

Due to improper foundation, cracks in the structures may occur. Due to uneven product seating, the geometric shape of the product may change, which can result in door / window twist, or/and gap may appear. And in the worst case product 's collapse.

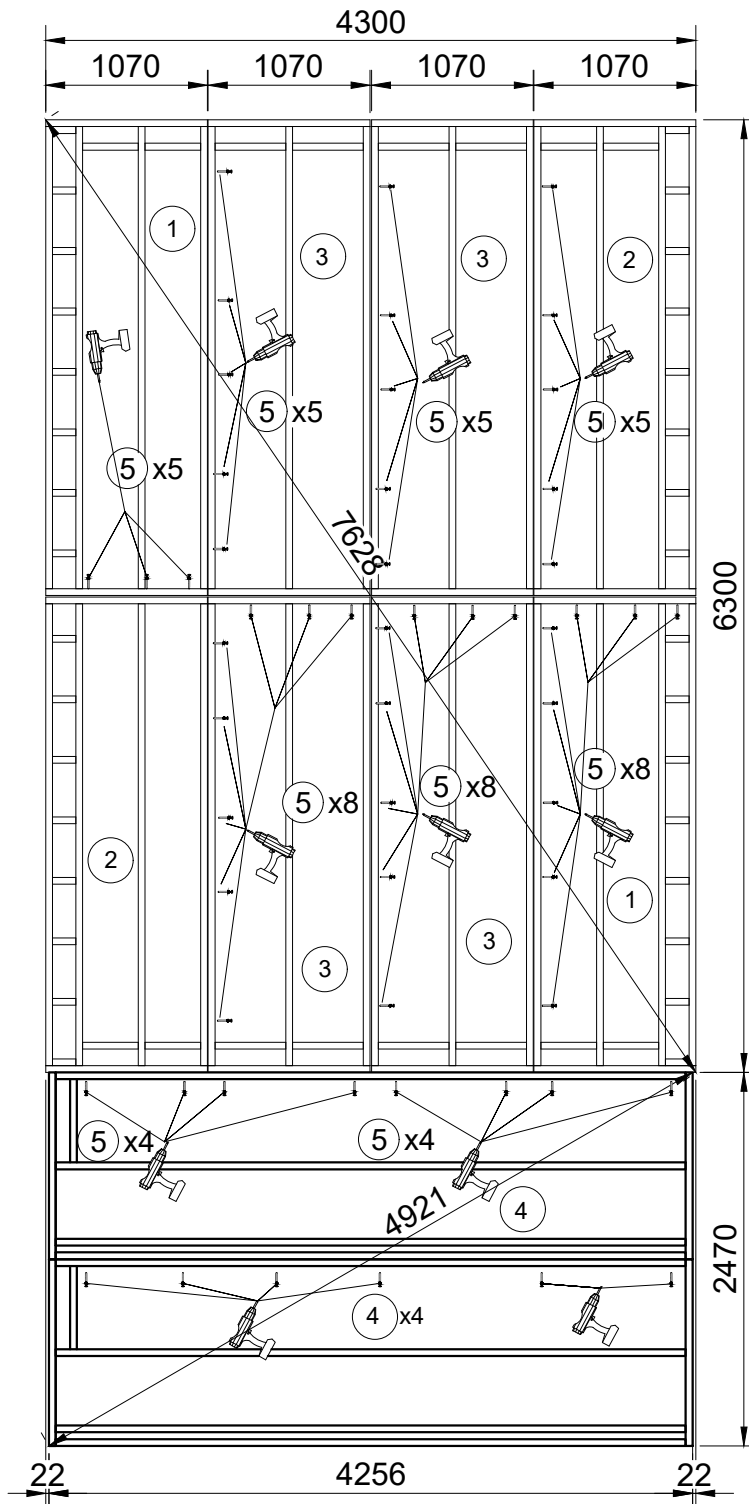
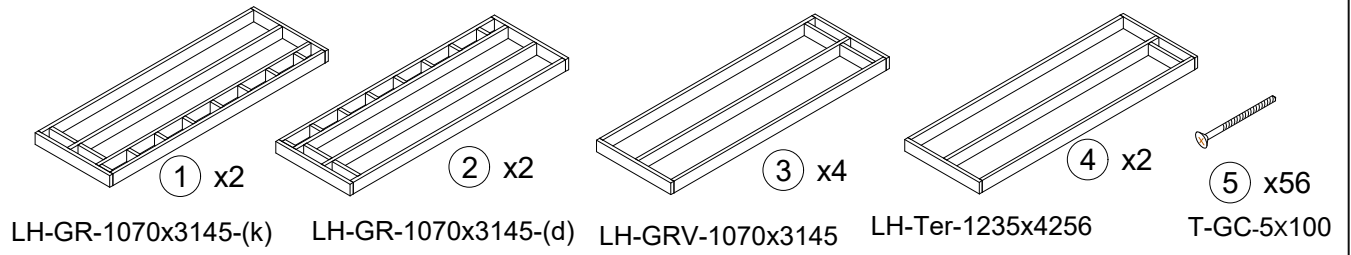
If you do not follow recommendation, product will lose its warranty.



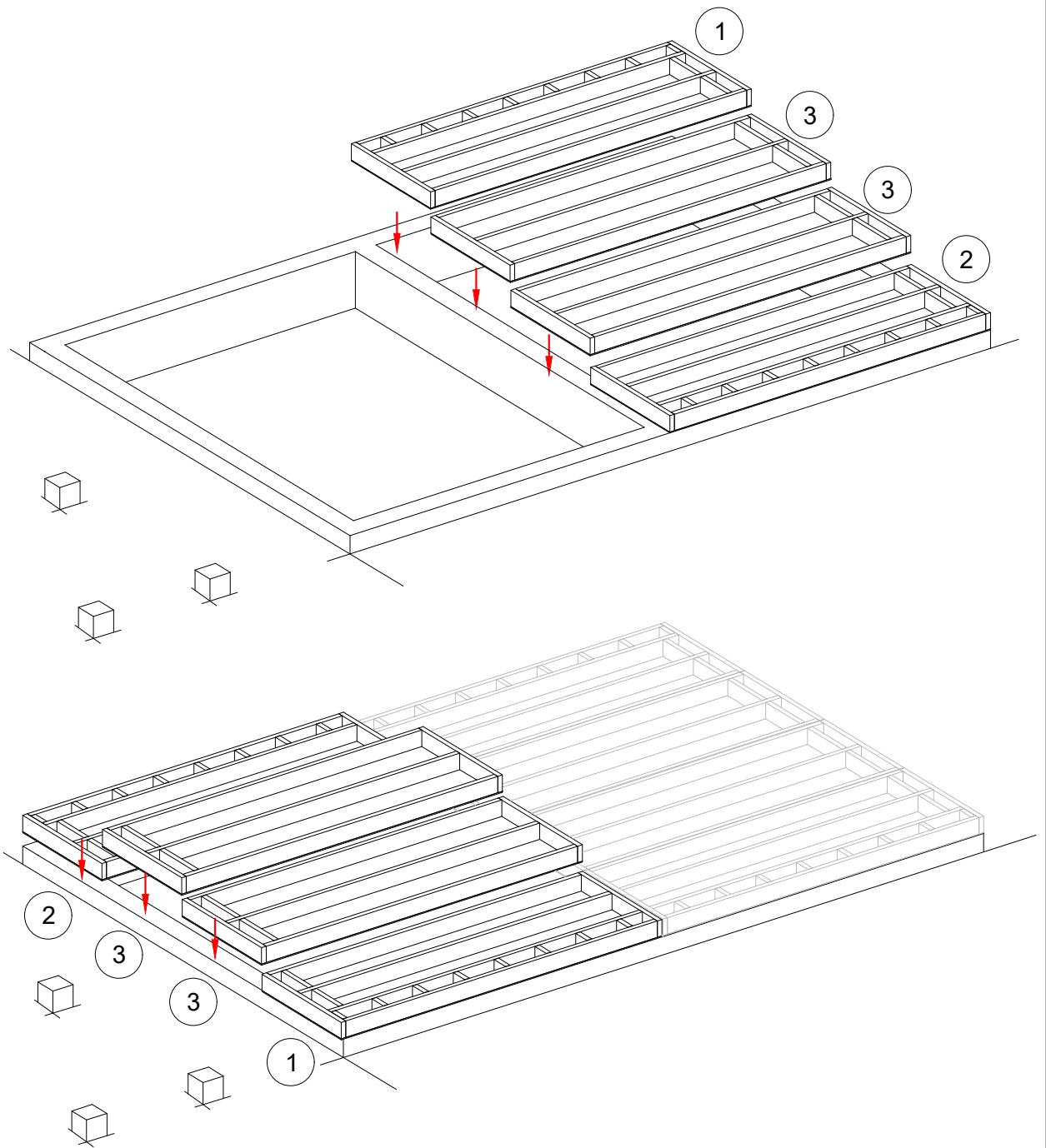
# LOFTHOUSE I 24m<sup>2</sup> FOUNDATION



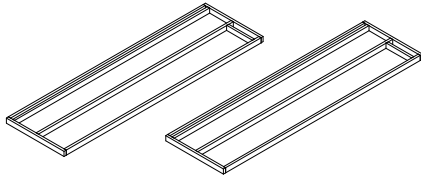
# 1.1 LOFTHOUSE I 24m2 FLOORING



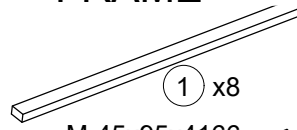
# 1.2 LOFTHOUSE I 24m2 FLOORING



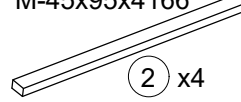
# 1.3 LOFTHOUSE I 24m2 ASSEMBLY OF TERRACE FRAME



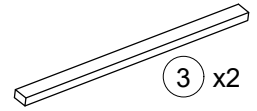
LH-Ter-1235x4256



M-45x95x4166



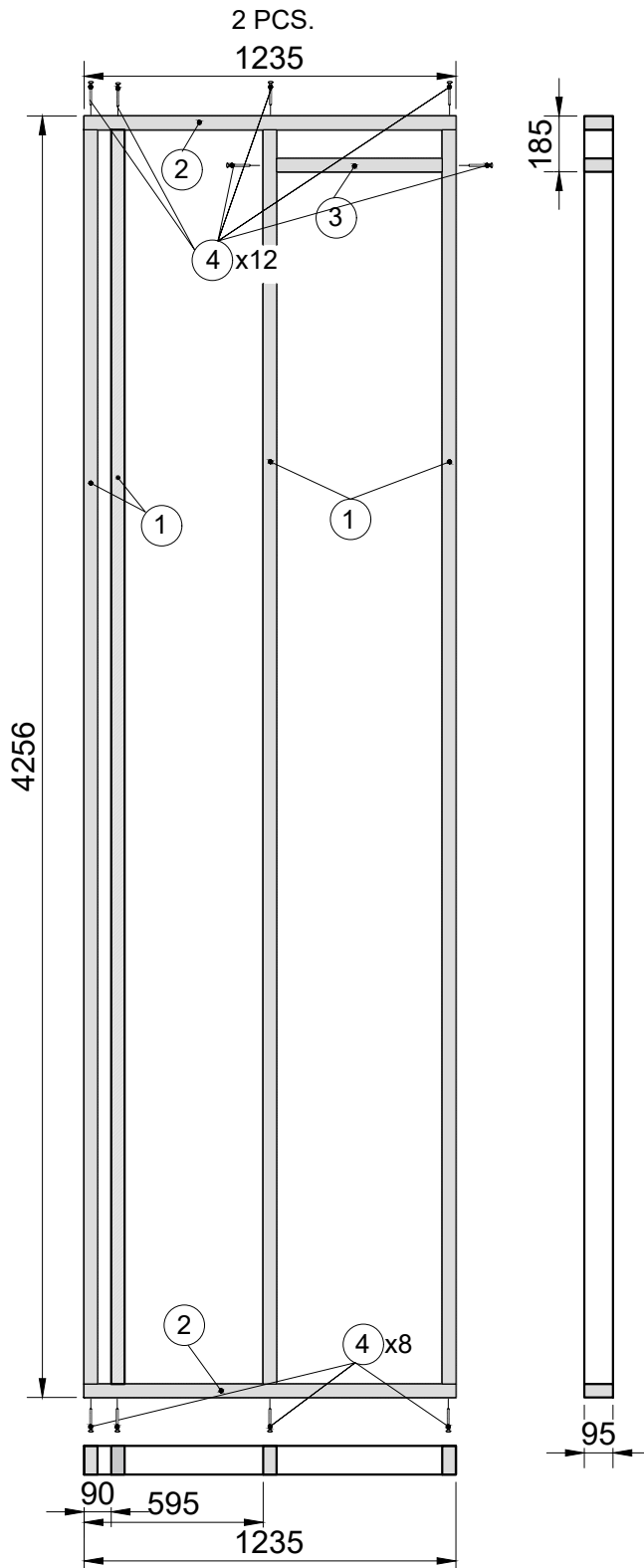
M-45x95x1235



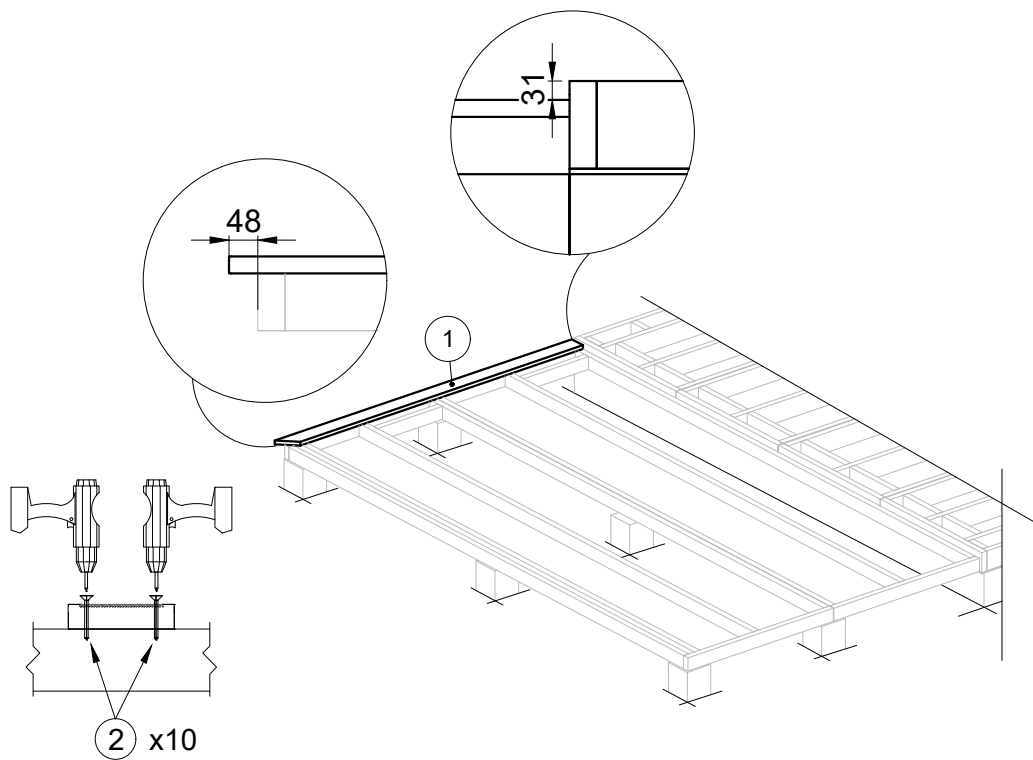
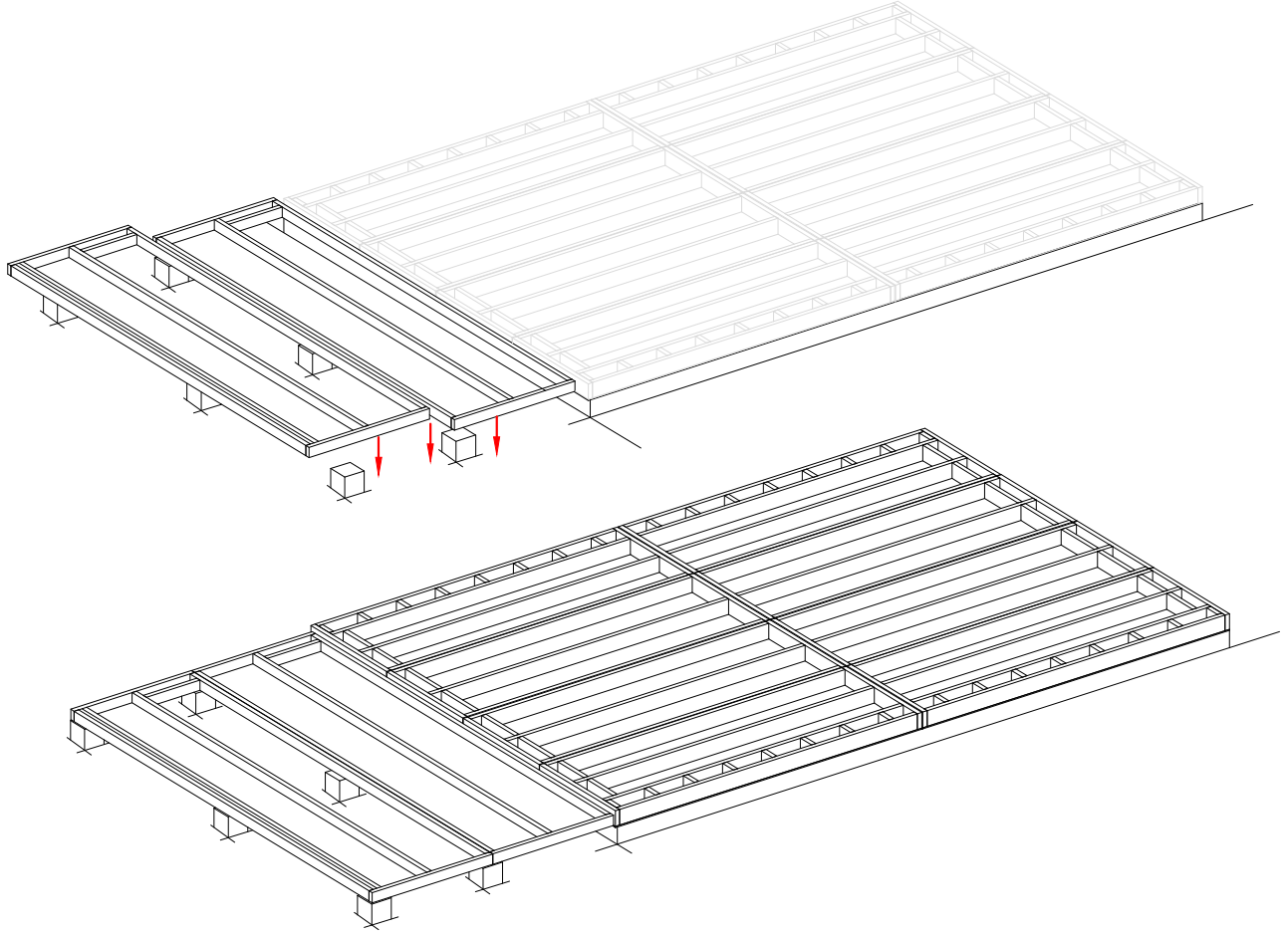
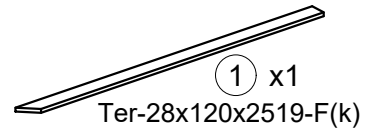
M-45x95x550



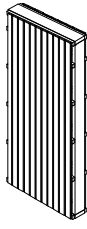
T-GC-5x100



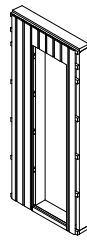
# 1.4 LOFTHOUSE I 24m<sup>2</sup> FLOORING



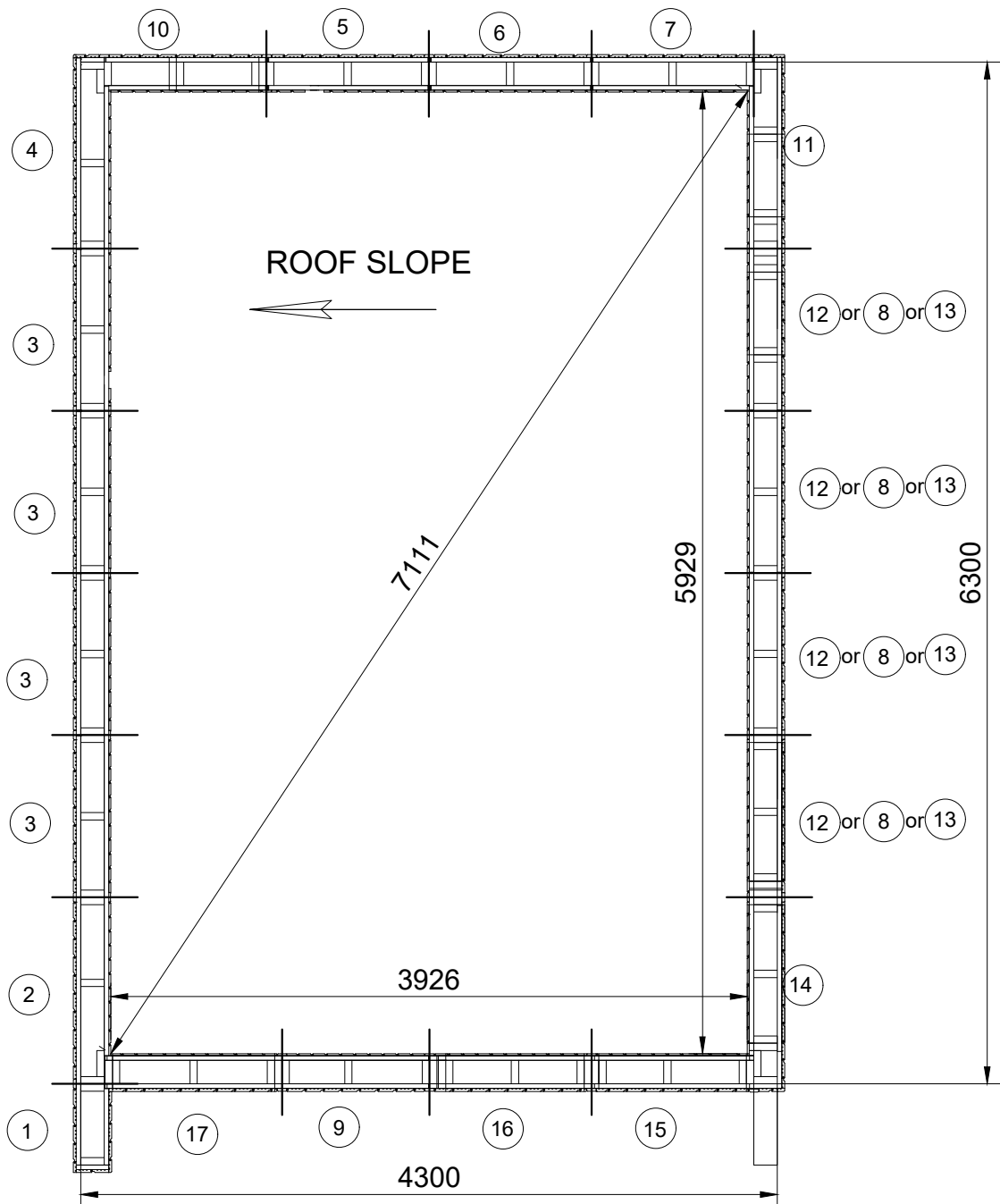
## 2.1 LOFTHOUSE I 24m2 WALL ASSEMBLY



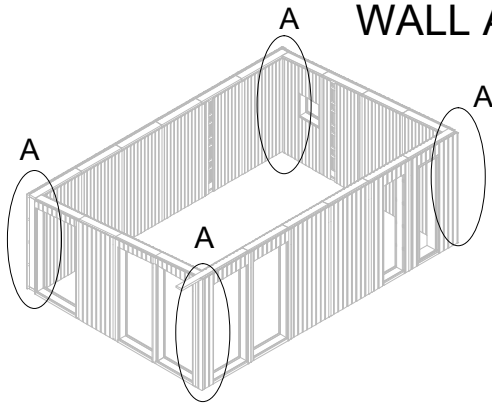
- ① LH-S-500x2060
- ② LH-S-1150x2038-(k)
- ③ LH-S-1000x2038 - 4pcs.
- ④ LH-S-1150x2038-(d)
- ⑤ LH-S-1000x2208-(d)
- ⑥ LH-S-1000x2295-(d)
- ⑦ LH-S-1000x2383-(d)
- ⑧ LH-S-1000x2402-2pcs.
- ⑨ LH-S-910x2208-(k)



- ⑩ LH-SL(500x500)-1000x2120-(d)
- ⑪ LH-SL(500x290)-1150x2402-(d)
- ⑫ LH-SL(500x2090)-1000x2402
- ⑬ LH-SL(845x2090)-1000x2402
- ⑭ LH-SL(845x2090)-1150x2402-(k)
- ⑮ LH-SL(845x2090)-1000x2383-(k)
- ⑯ LH-SL(845x2071)-1000x2295-(k)
- ⑰ LH-SL(990x1914)-1090x2128-(k)



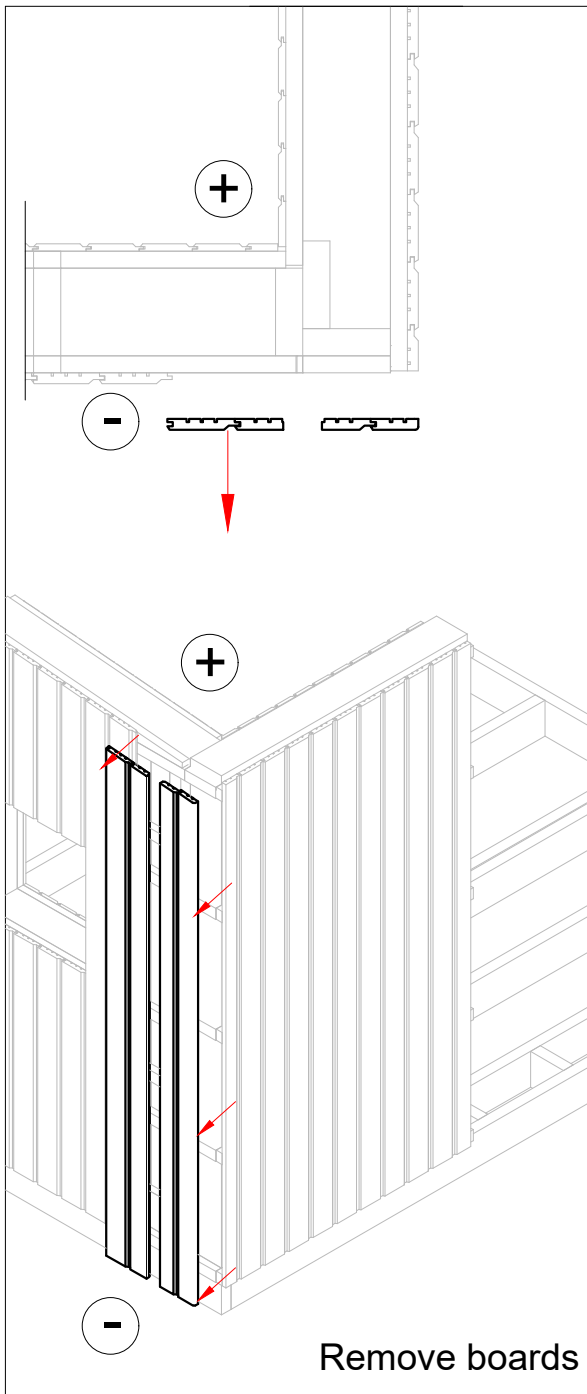
## 2.2 LOFTHOUSE I 24m2 WALL ASSEMBLY, CORNERS



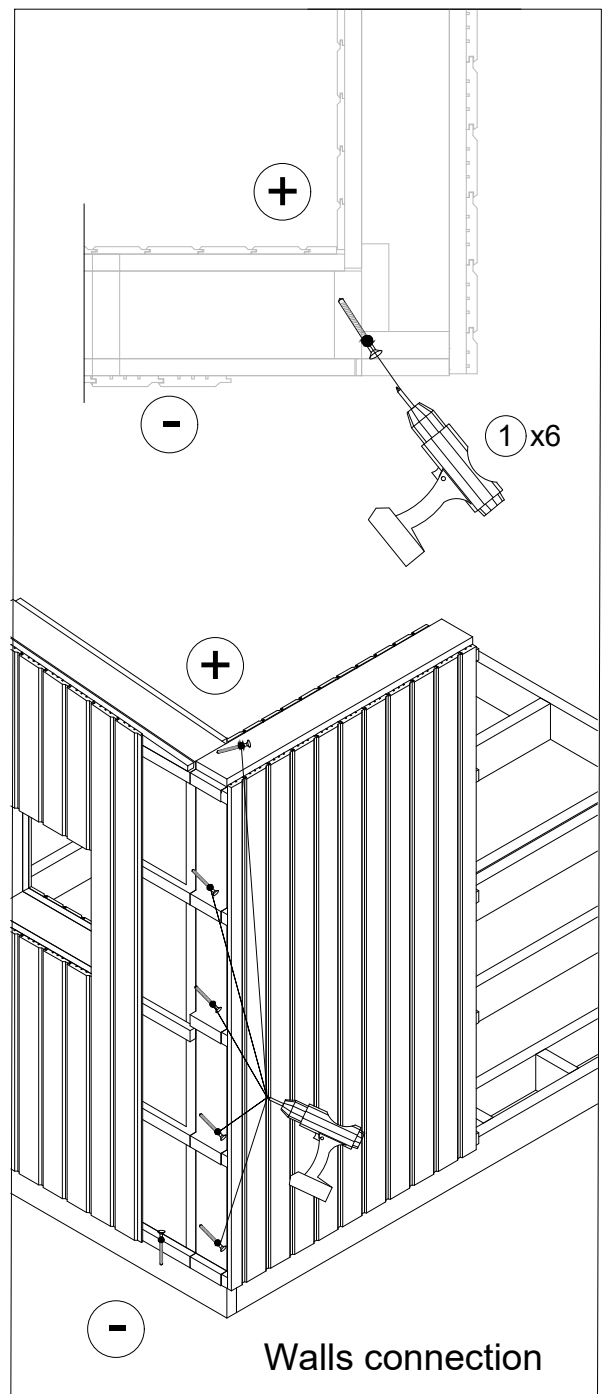
① x24

T-GC-5x100

### A 1 step

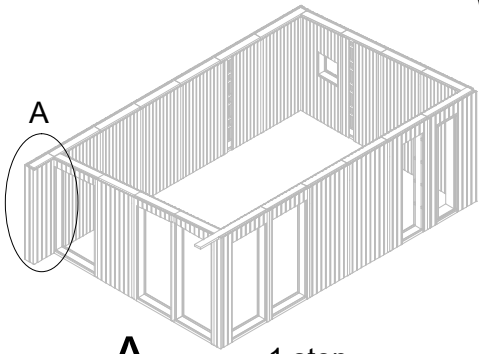


### A 2 step



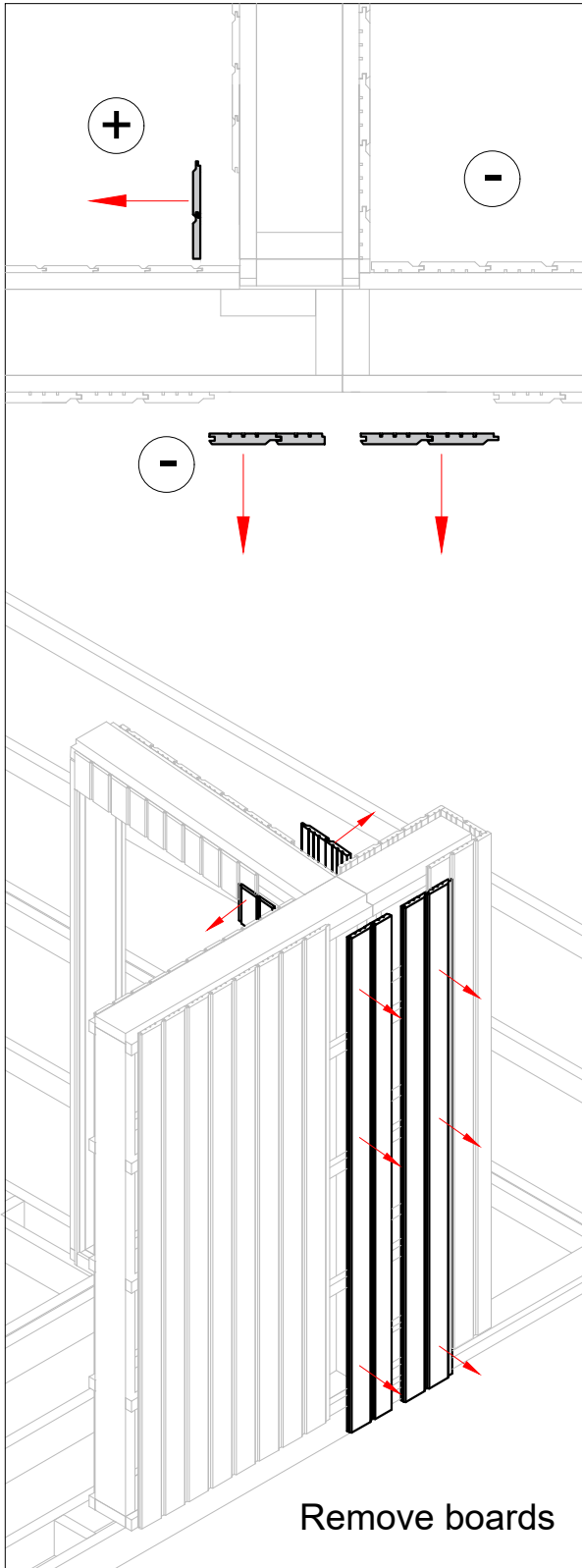


## 2.3 LOFTHOUSE | 24m2 WALL ASSEMBLY, CORNERS

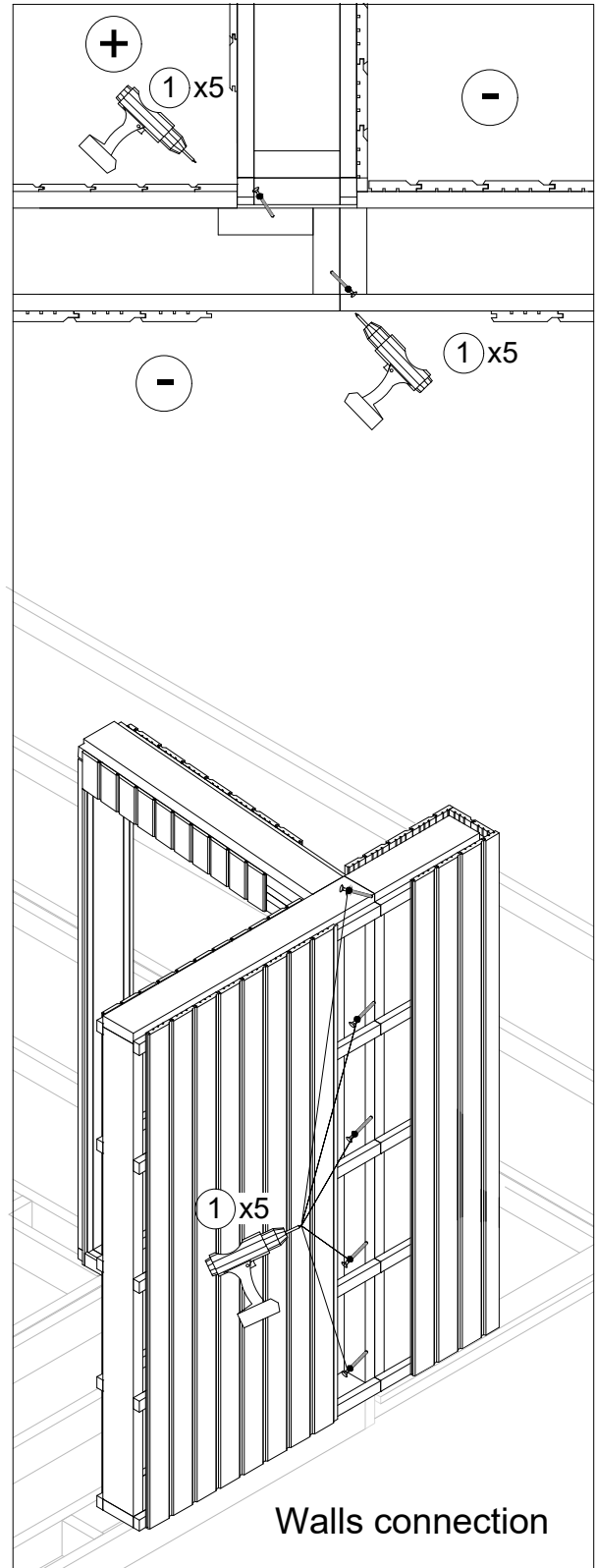


① x10  
T-GC-5x100

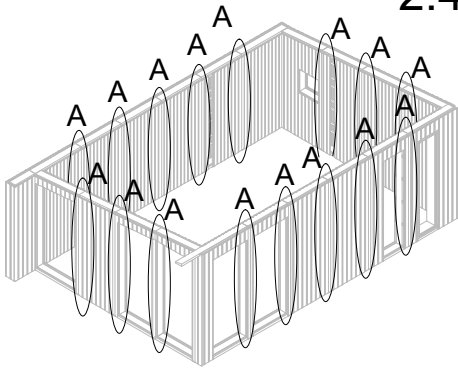
**A** 1 step



**A** 2 step



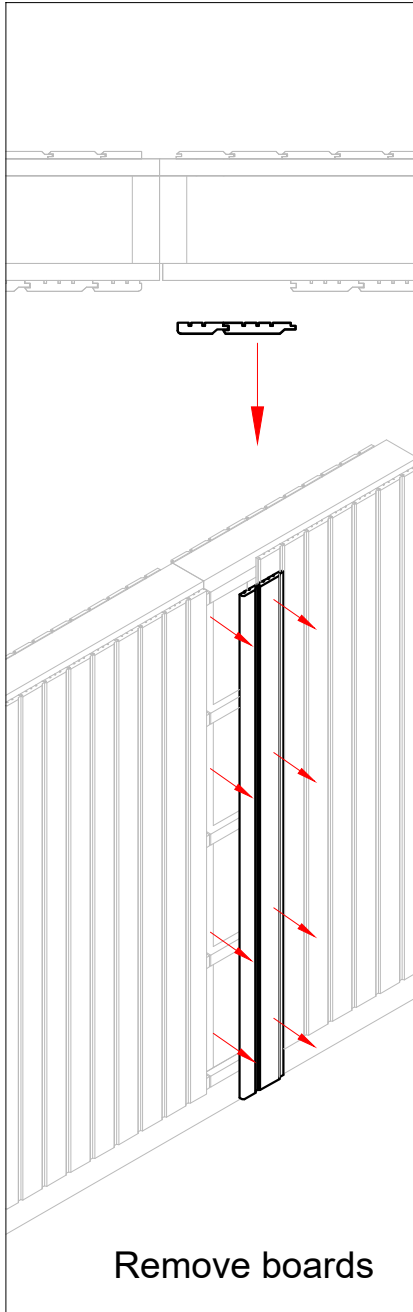
## 2.4 LOFTHOUSE I 24m2 WALL ASSEMBLY



① x60  
T-GC-5x100

**A**

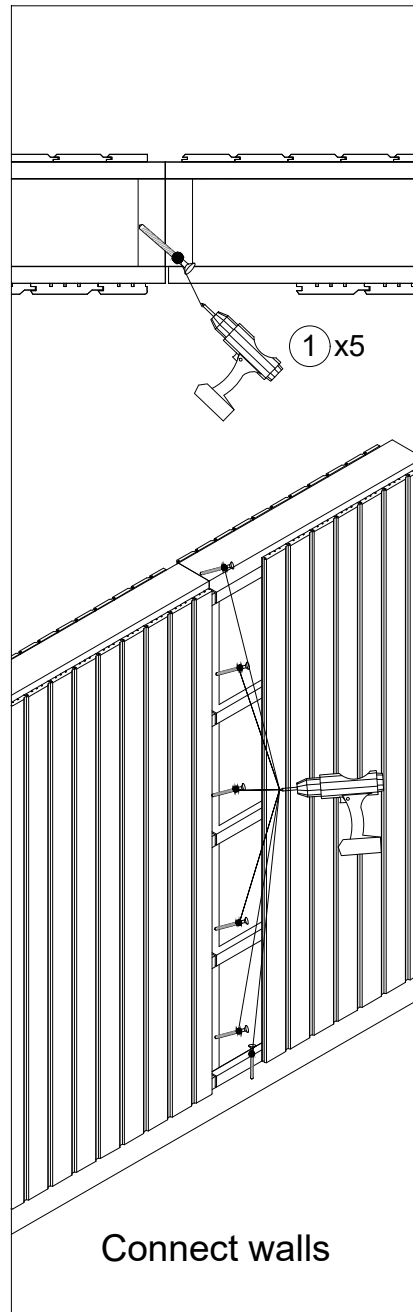
1 step



Remove boards

**A**

2 step



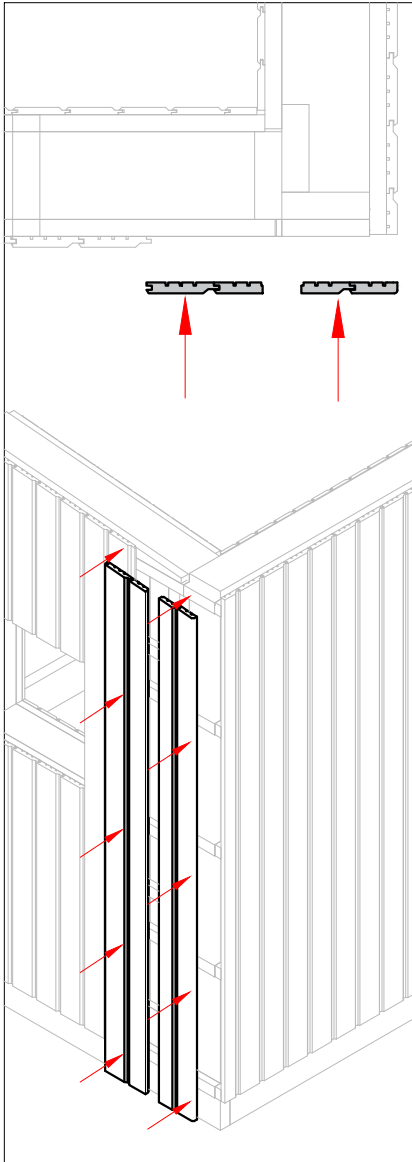
Connect walls

# 2.5 LOFTHOUSE I 24m2 WALL ASSEMBLY

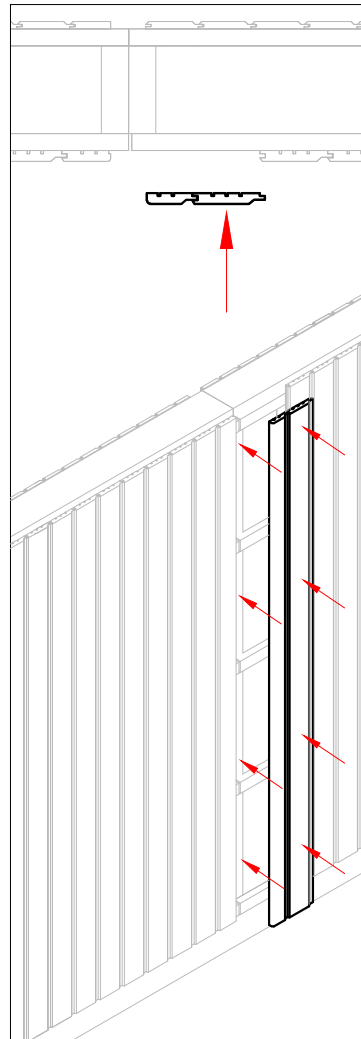


1 x60

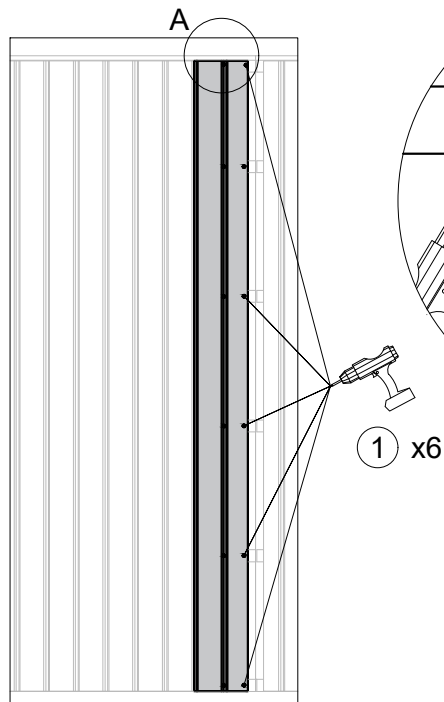
T-GC-3.5x45



Install boards

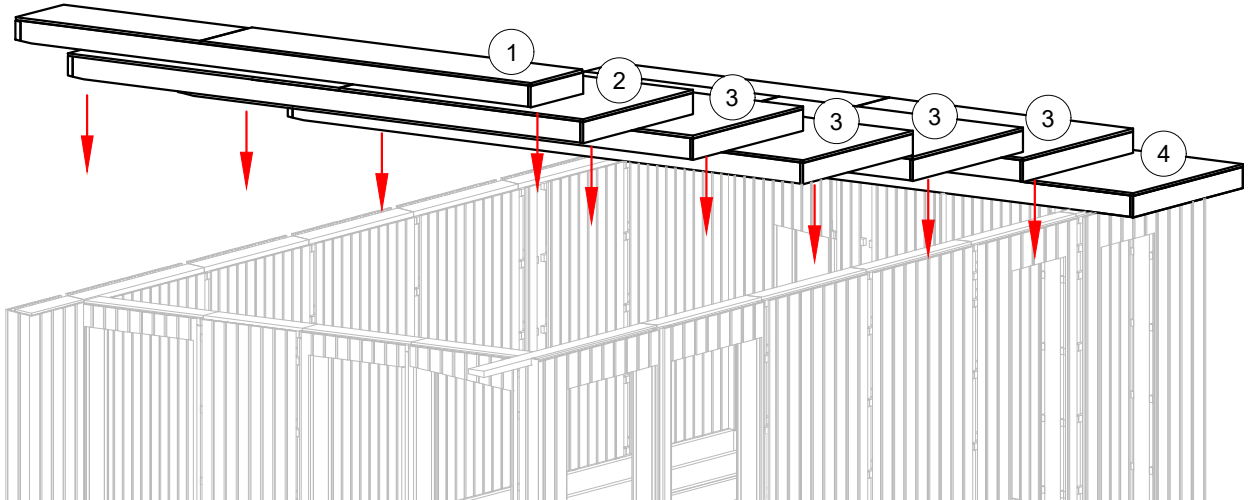
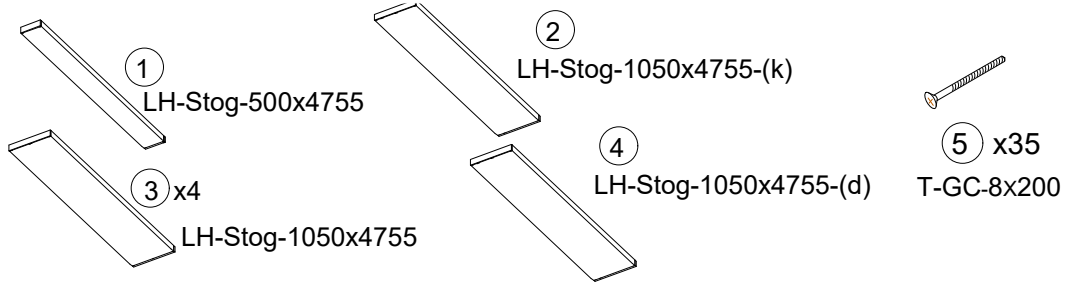


Install boards

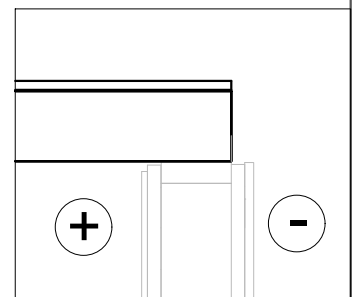
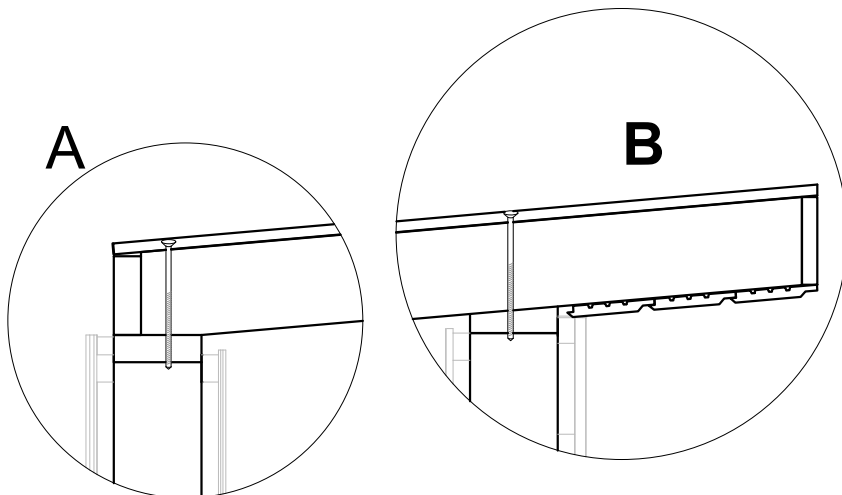
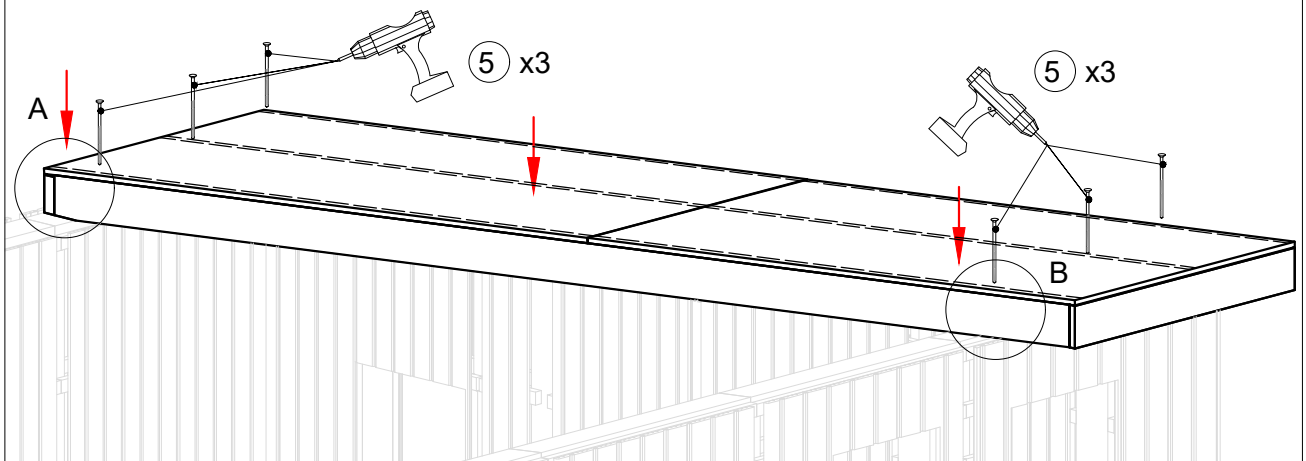


1 x6

# 3.1 LOFTHOUSE I 24m2 ROOF ASSEMBLY

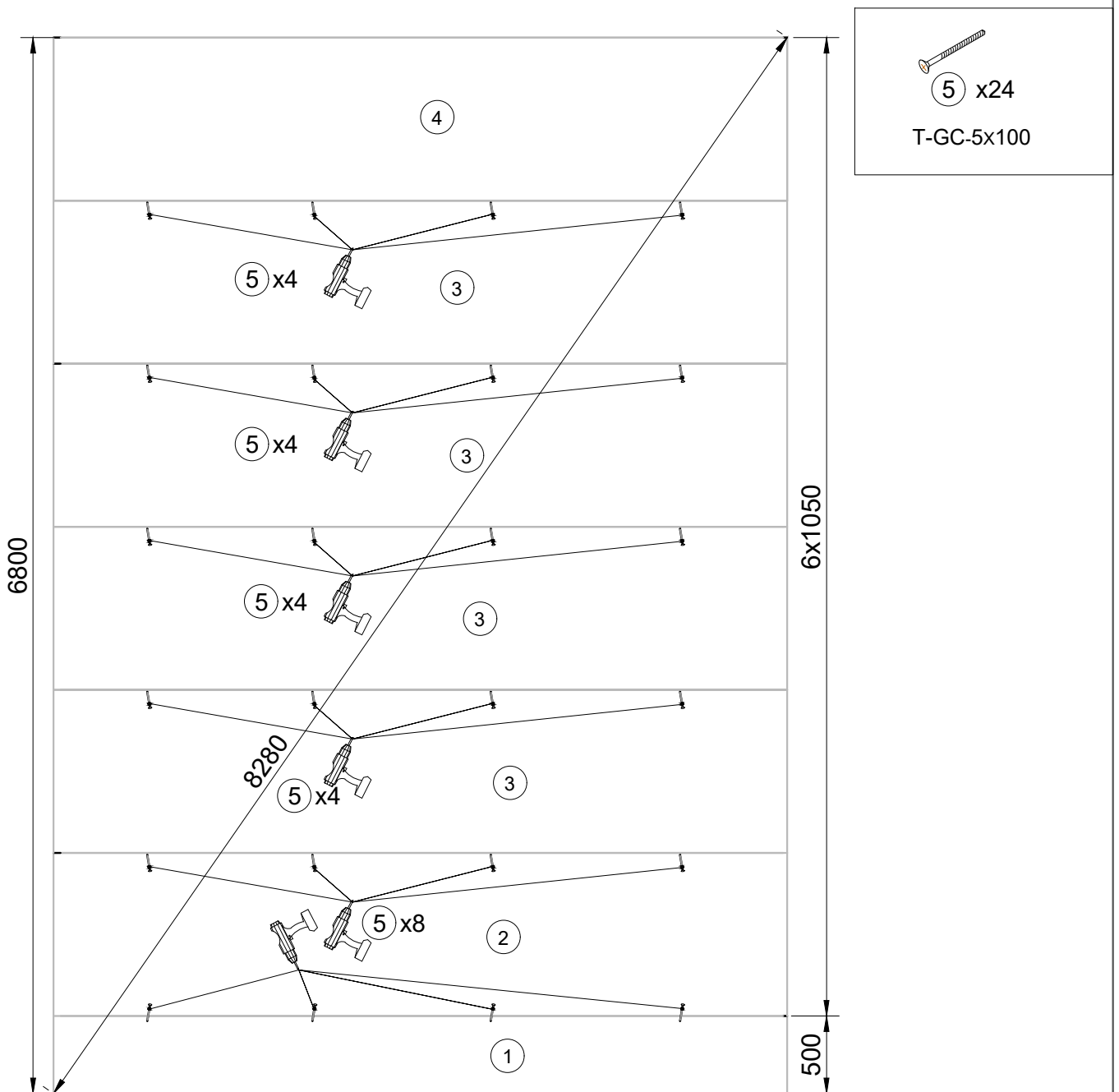


PLACE ALL ROOF PANELS AND  
ALIGN THEM TO THE WALL  
FRAME, AND THEN USE SCREWS

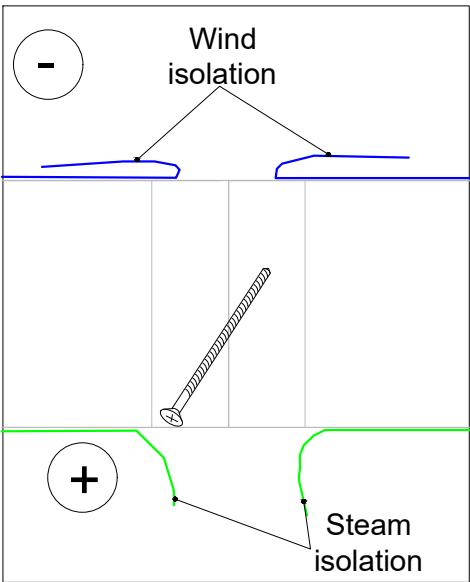
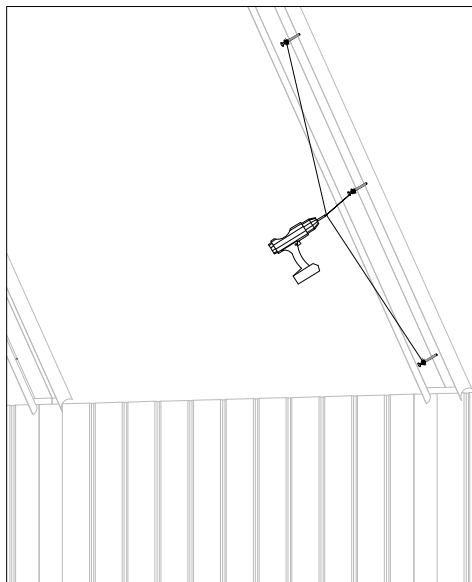


SIDE

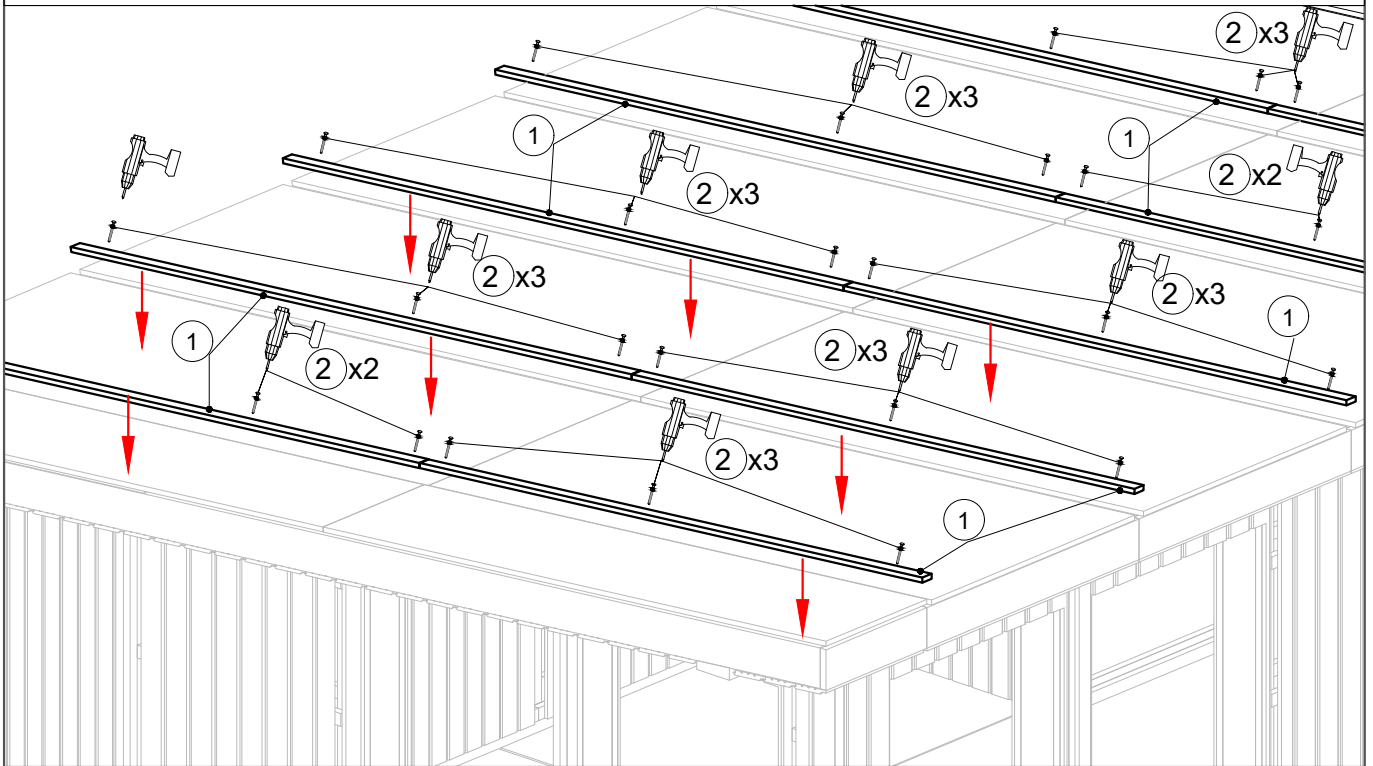
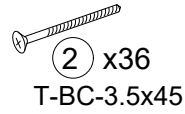
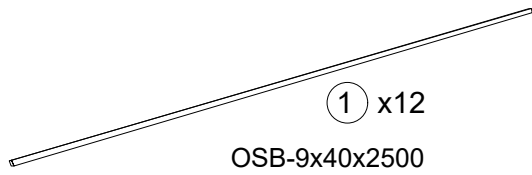
# 3.2 LOFTHOUSE I 24m<sup>2</sup> ROOF ASSEMBLY, CONNECTION BETWEEN PANELS



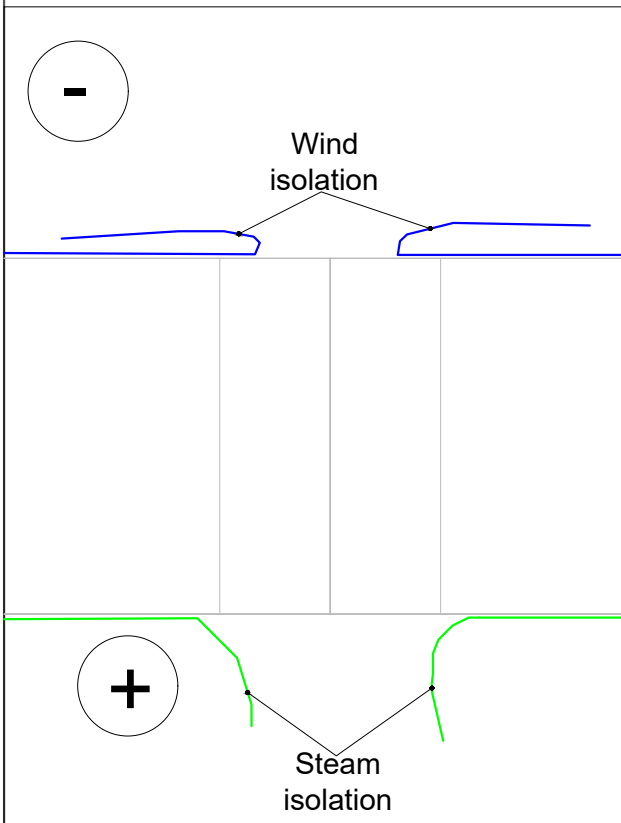
(5) x24  
T-GC-5x100



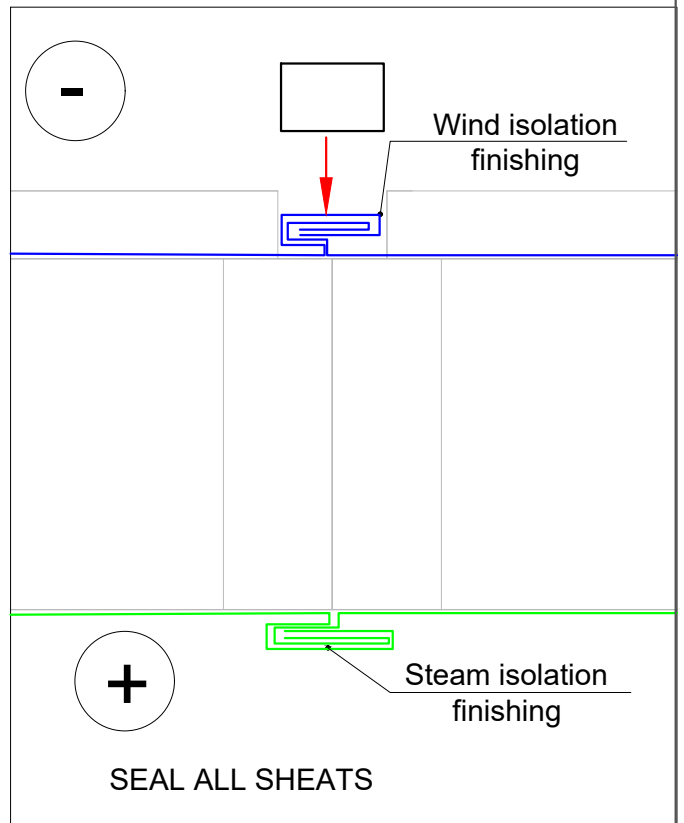
### 3.3 LOFTHOUSE I 24m2 ROOF ASSEMBLY, LATHS INSTALATION



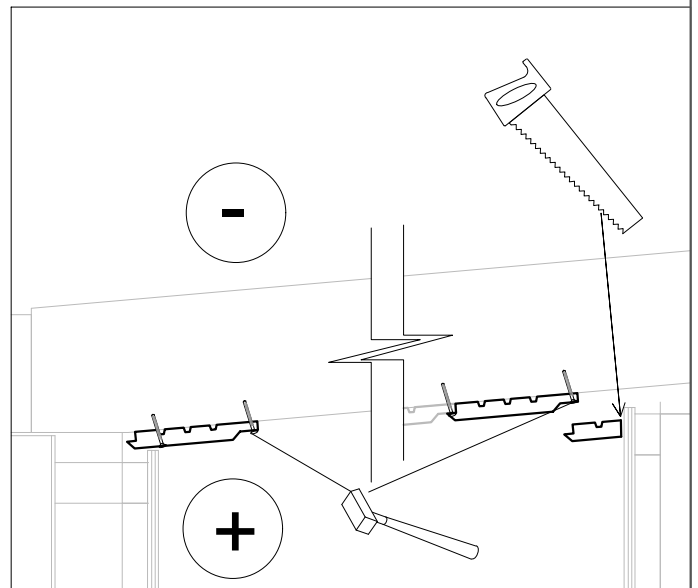
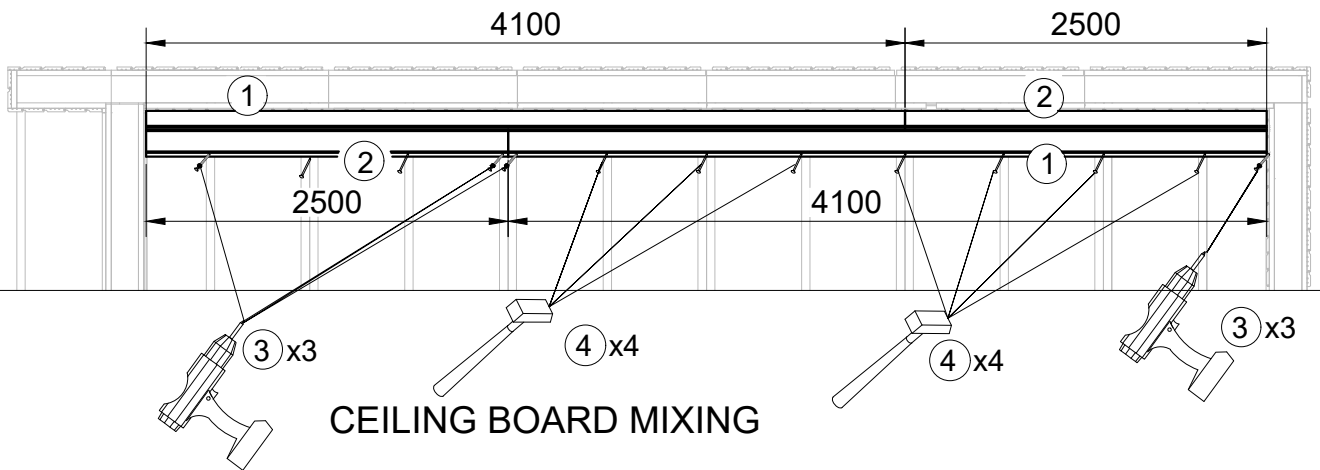
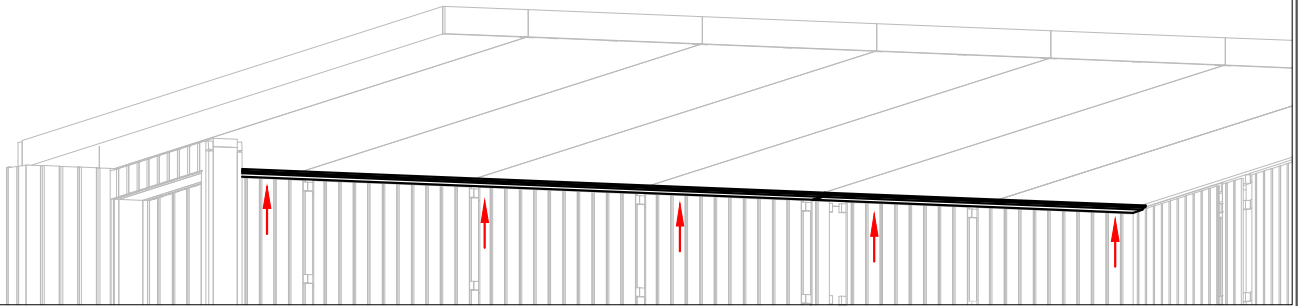
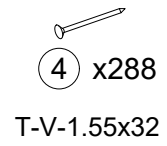
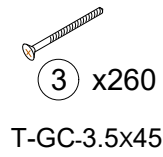
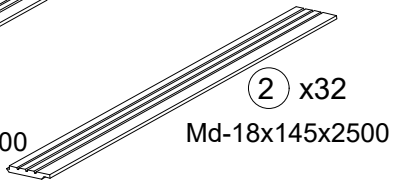
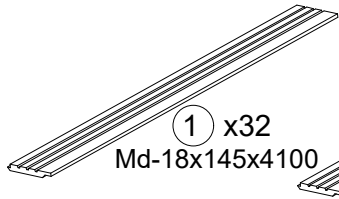
1 step



2 step

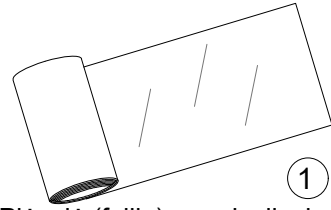


### 3.4 LOFTHOUSE I 24m<sup>2</sup> CEILING BOARDS ASSEMBLY



**CUT LAST BOARD BY NEEDED  
DIMENSIONS**

# 4.1 LOFTHOUSE I 24m2 FLOOR FLOOR STEAM ISOLATION ASSEMBLY



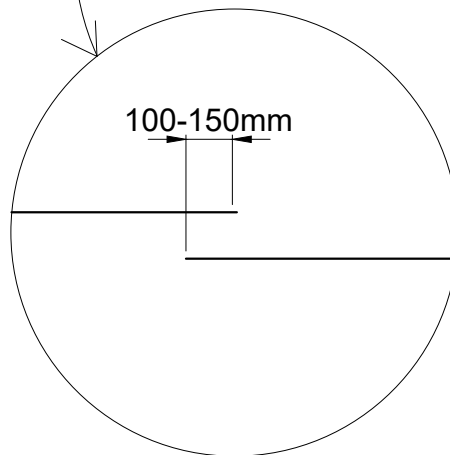
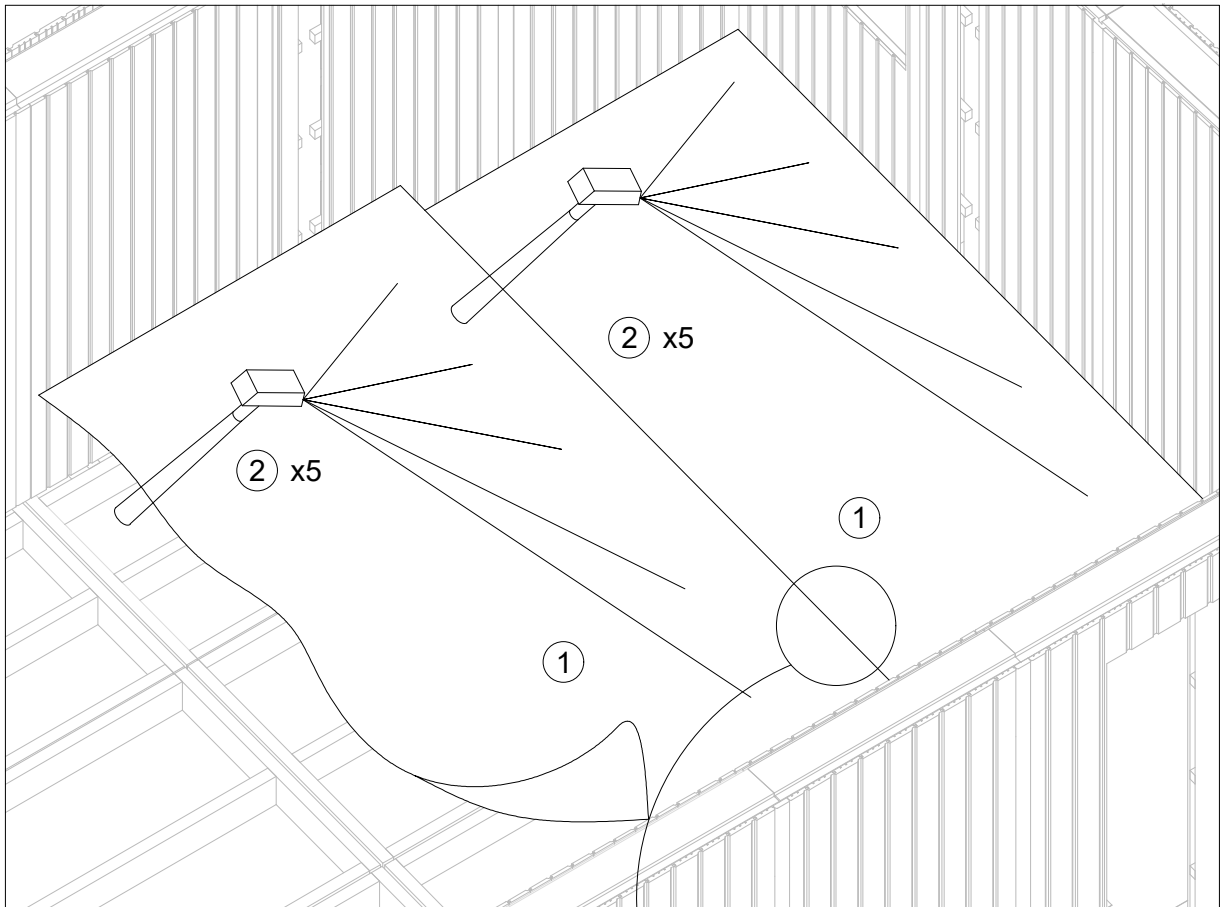
① x4

Plévelé (folija) garo izoliacin ALU 6x1.5m



② x80

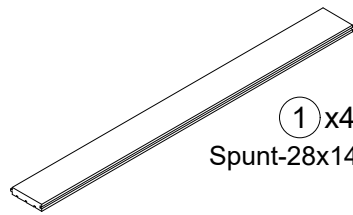
T-V-1.55x32



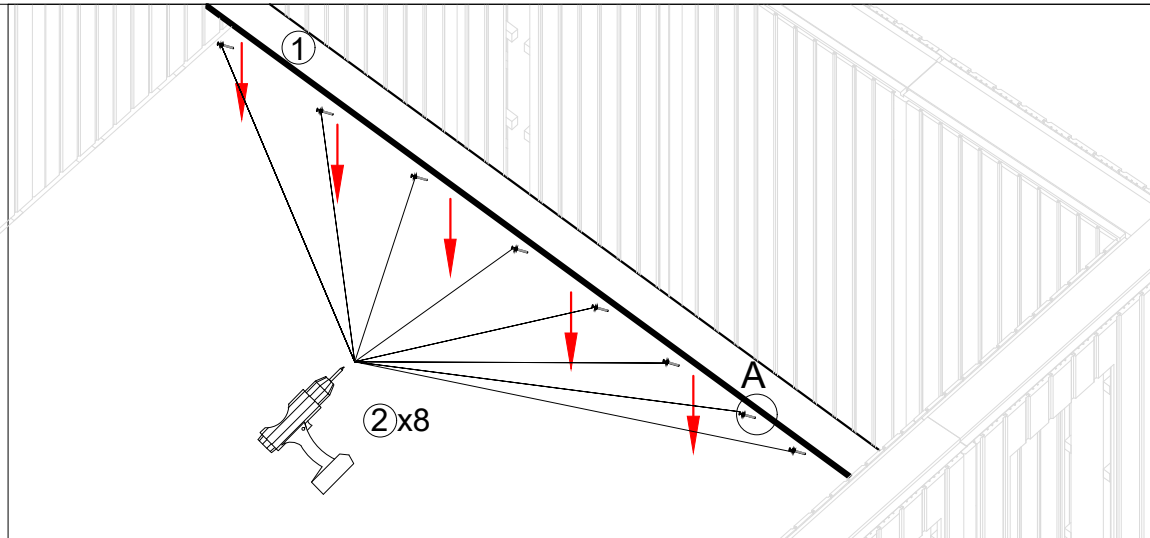
STEAM ISOLATION OTHERLAPING



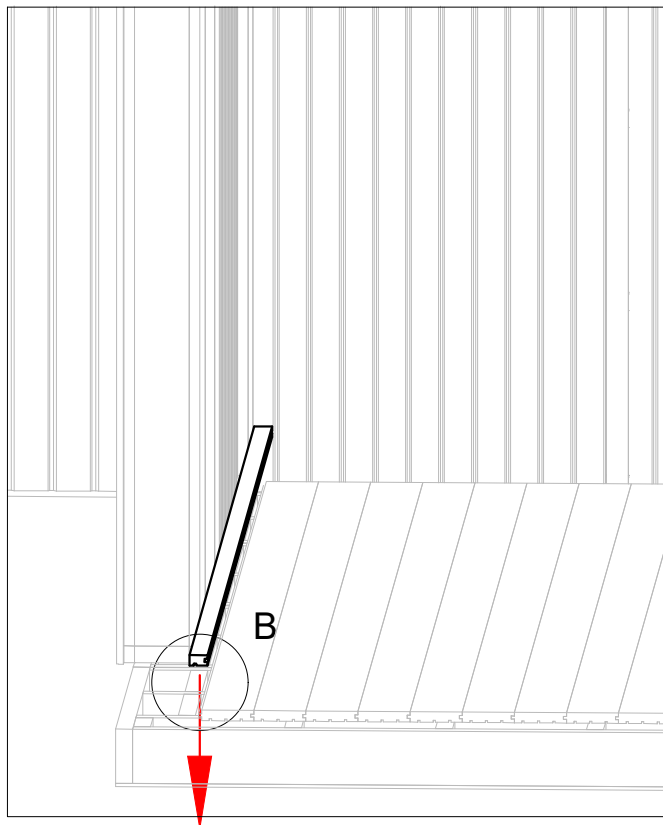
## 4.2 LOFTHOUSE I 24m2 FLOOR INSIDE FLOORBOARD ASSEMBLY



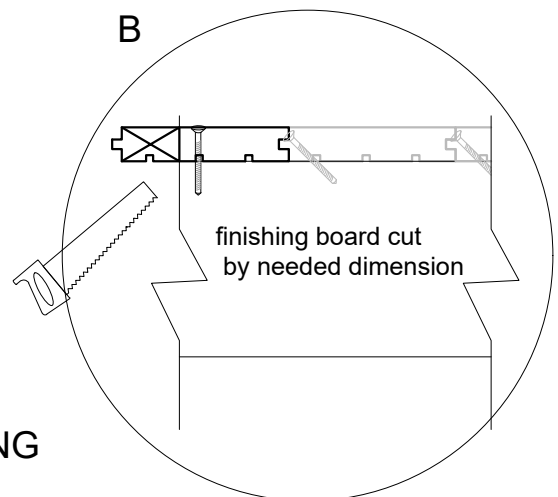
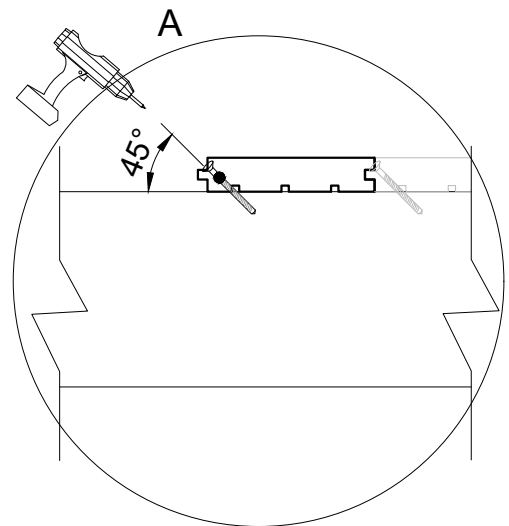
② x352  
T-GC-3.5x45



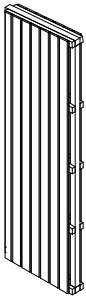
### FLOORBOARD ASSEMBLY BEGINNING



### FLOORBOARD ASSEMBLY FINISHING



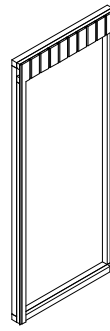
# 5.1 LOFTHOUSE I 24m2 INSIDE WALL ASSEMBLY



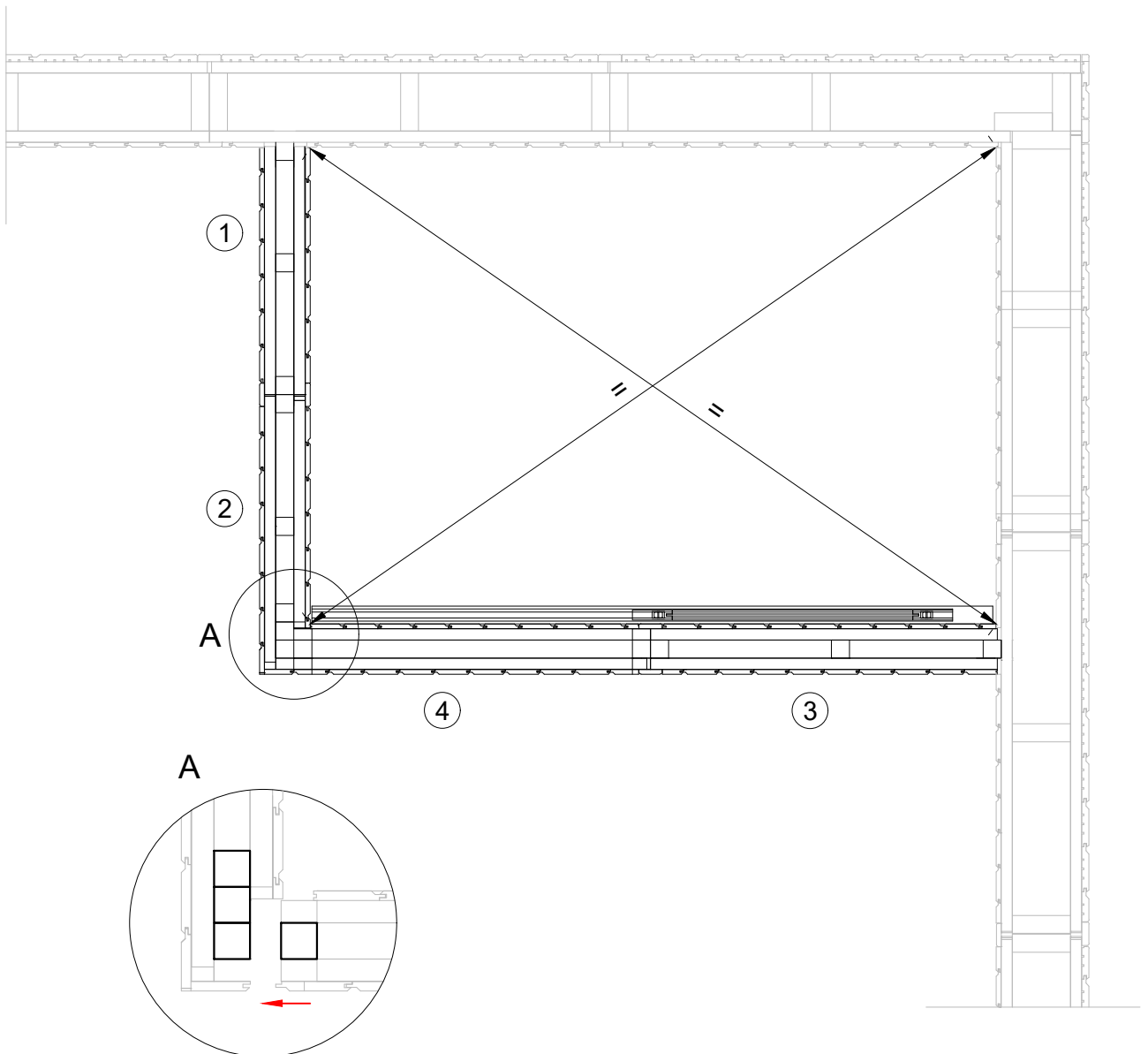
① LH-S-658x2044-(k)

② LH-S-658x2102-(k)

③ LH-S-904x2102



④ LH-SD-(790x1800)-891x2102



# 5.2 LOFTHOUSE I 24m2 INSIDE WALL ASSEMBLY

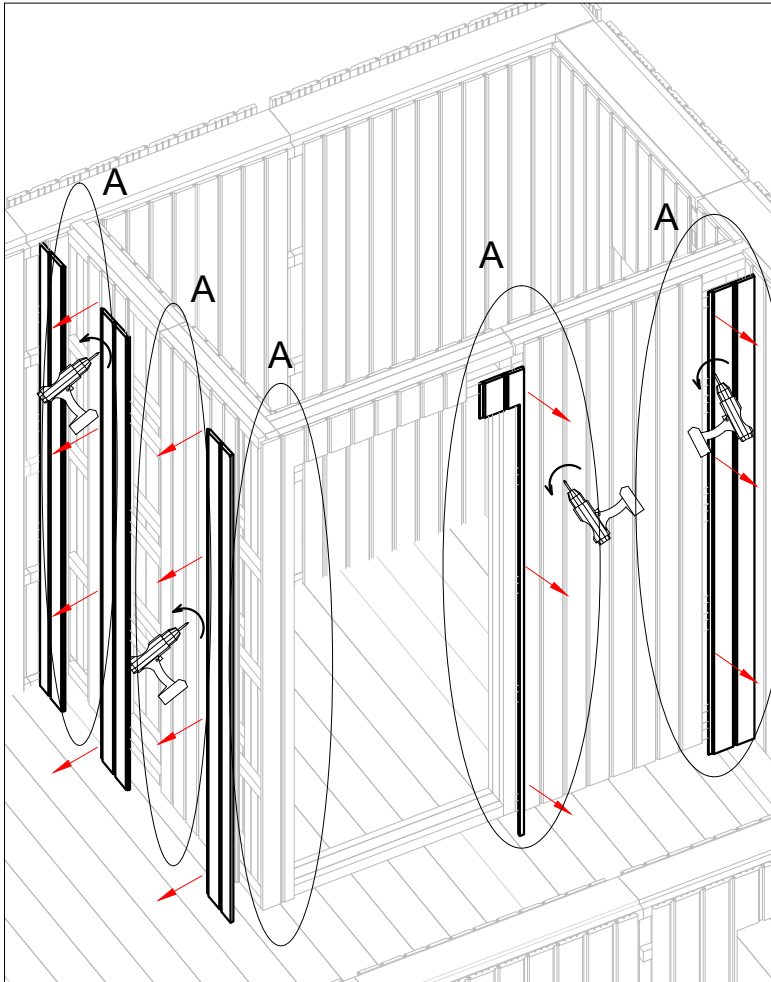


① x25

A

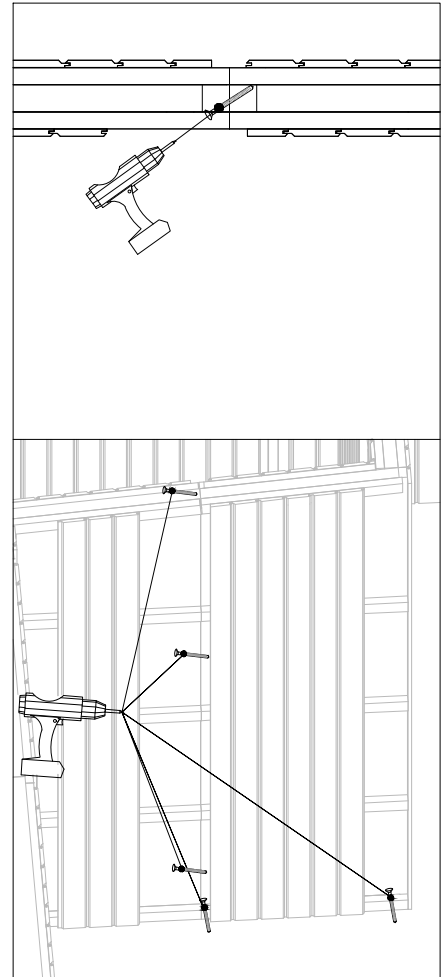
T-GC-5x100

1 step



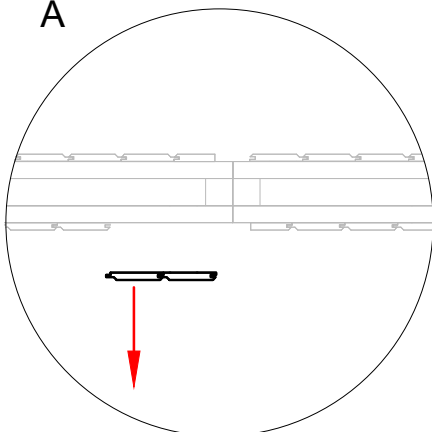
Remove boards

2 step



Walls connection

A

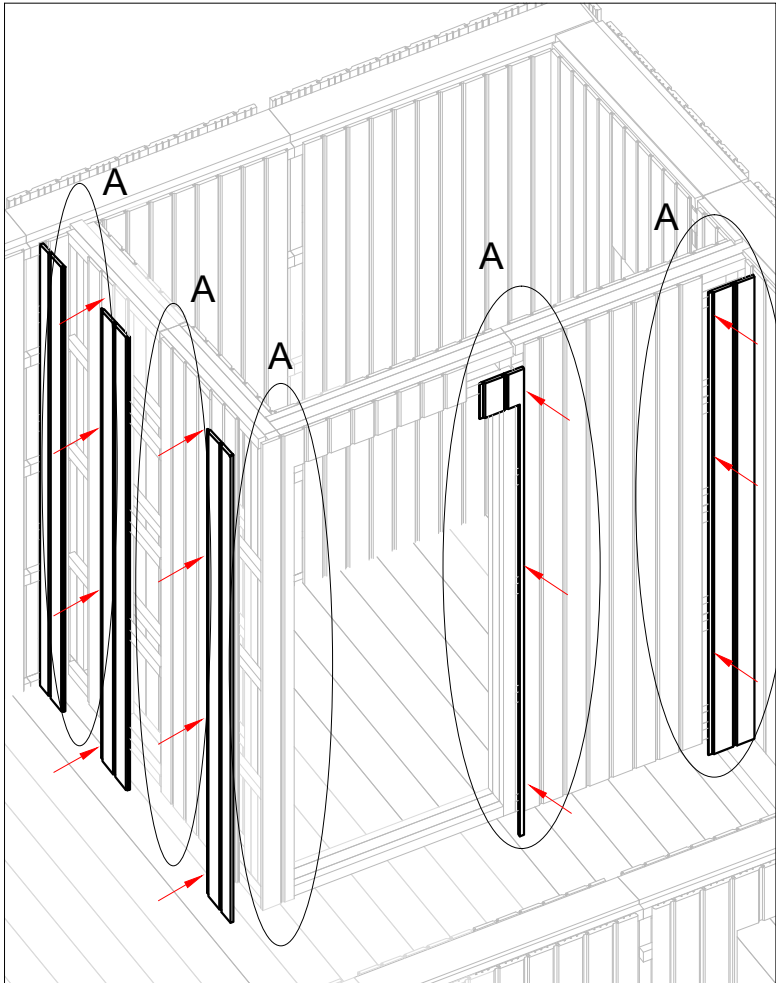


# 5.3 LOFTHOUSE I 24m2 INSIDE WALL ASSEMBLY

① x25

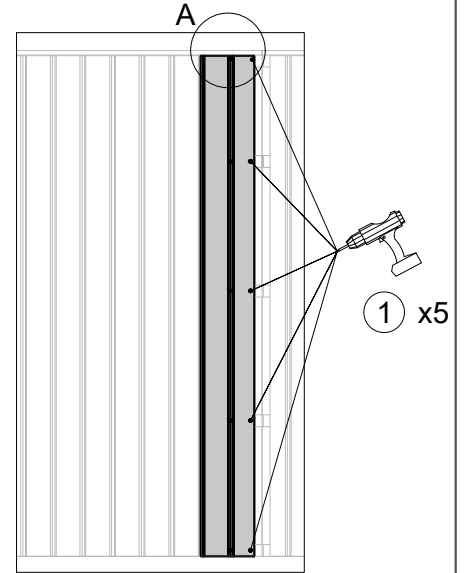
T-GC-5x100

1 step

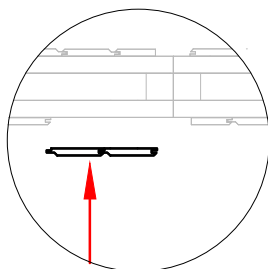


Remove boards

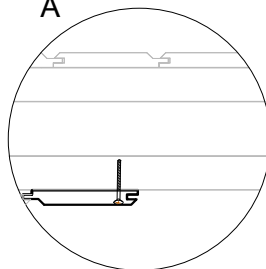
2 step



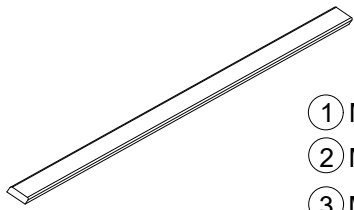
A



A



# 5.4 LOFTHOUSE I 24m<sup>2</sup> WALL OUTSIDE FINISHING ASSEMBLY



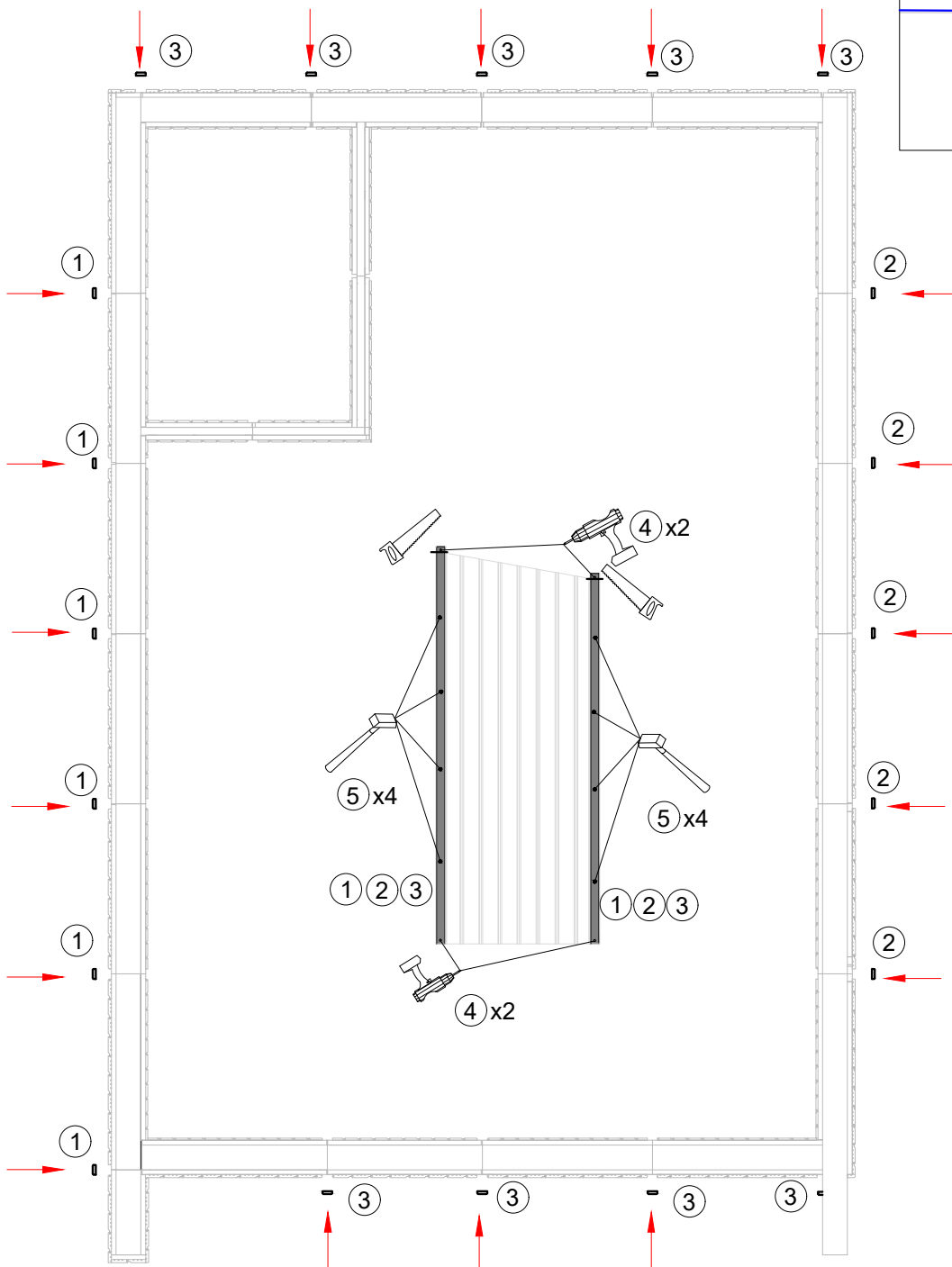
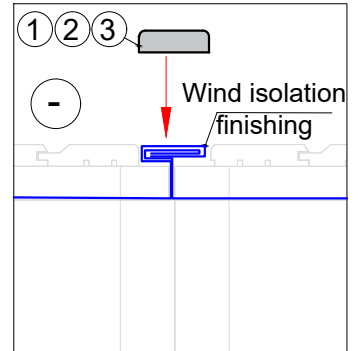
- ① M-18x58x2038-2F x6
- ② M-18x58x2382-2F x5
- ③ M-18x58x2386-2F x9



- ④ x40
- T-GC-3.5x45

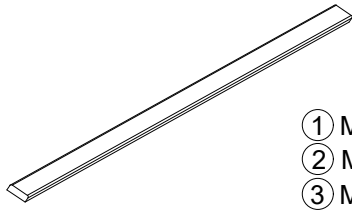


- ⑤ x80
- T-V-1.55x32



# 5.5 LOFTHOUSE I 24m<sup>2</sup>

## WALL INSIDE FINISHING ASSEMBLY



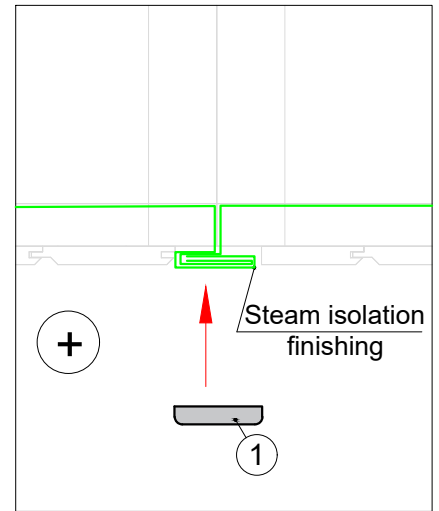
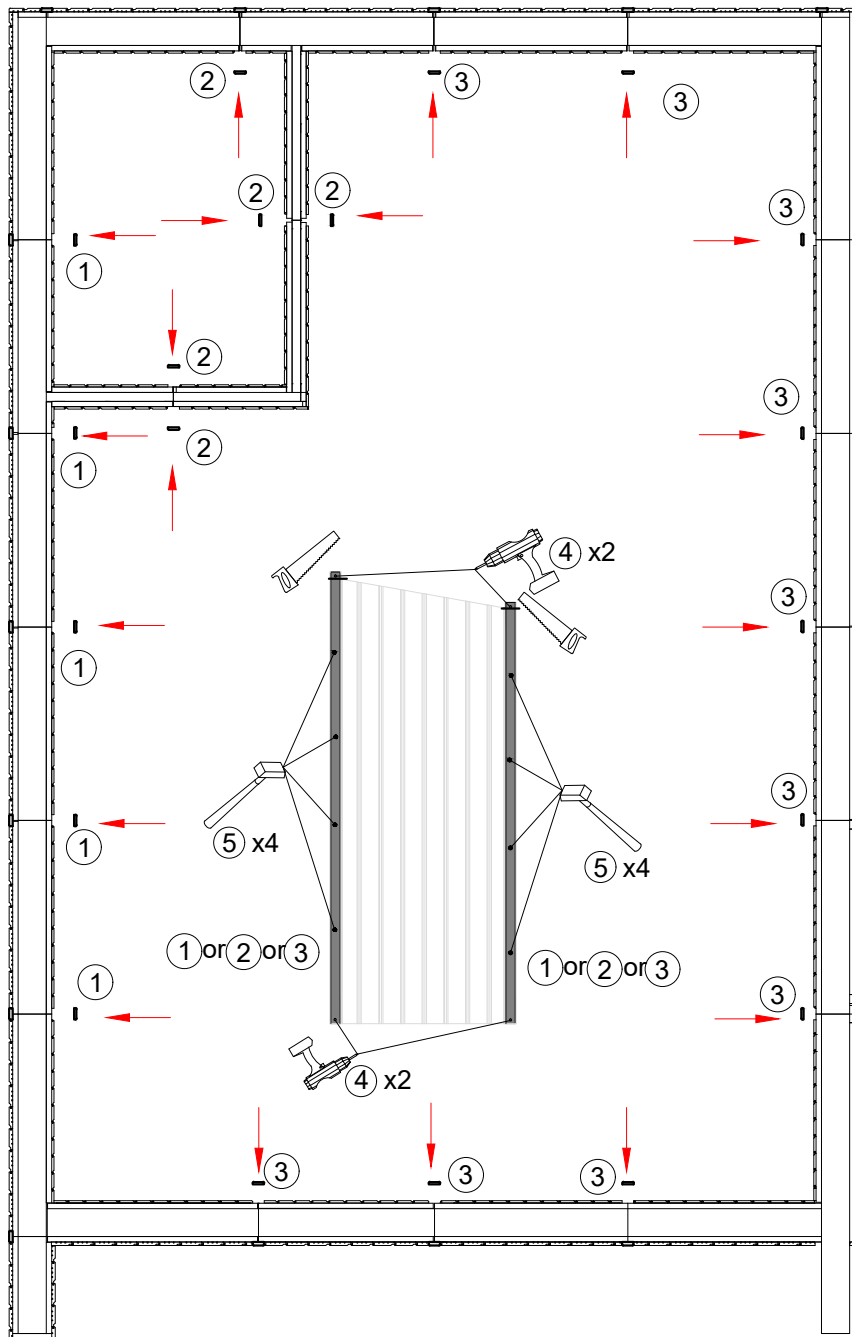
- ① M-12x58x1985-2F x5
- ② M-12x58x2013-2F x5
- ③ M-12x58x2360-2F x10



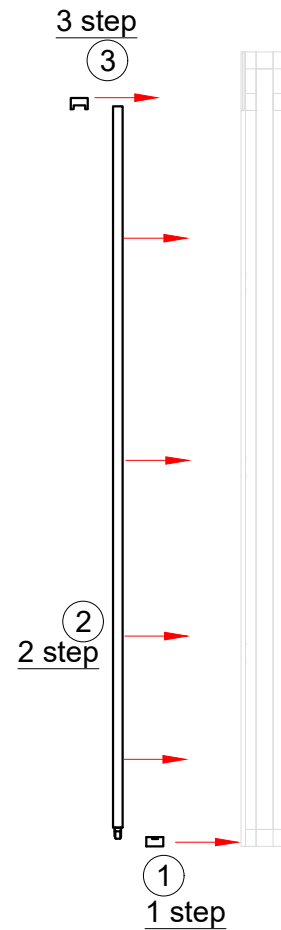
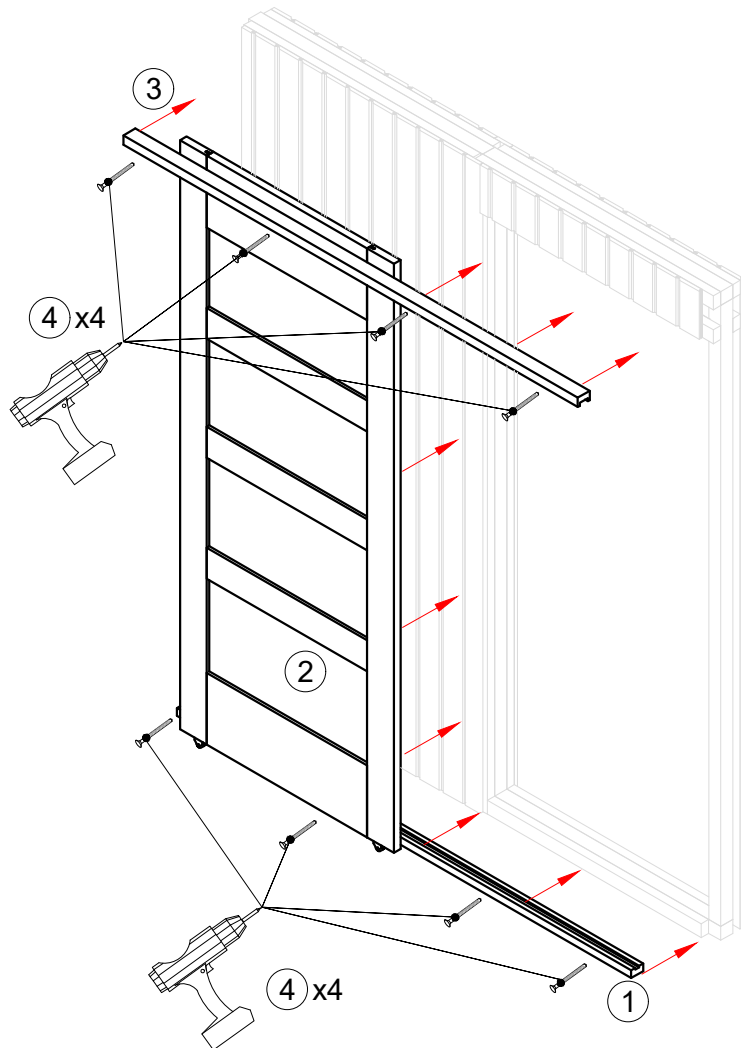
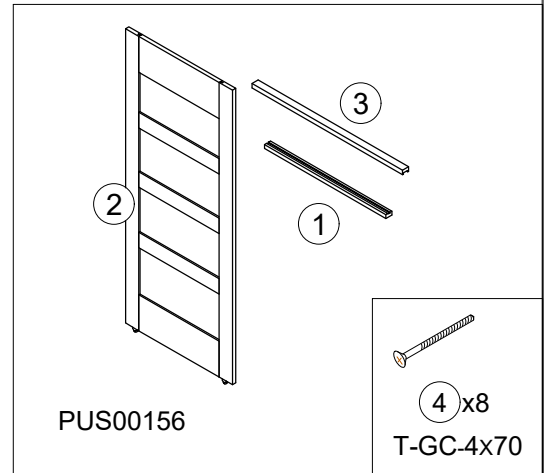
- ④ x40
- T-GC-3.5x45



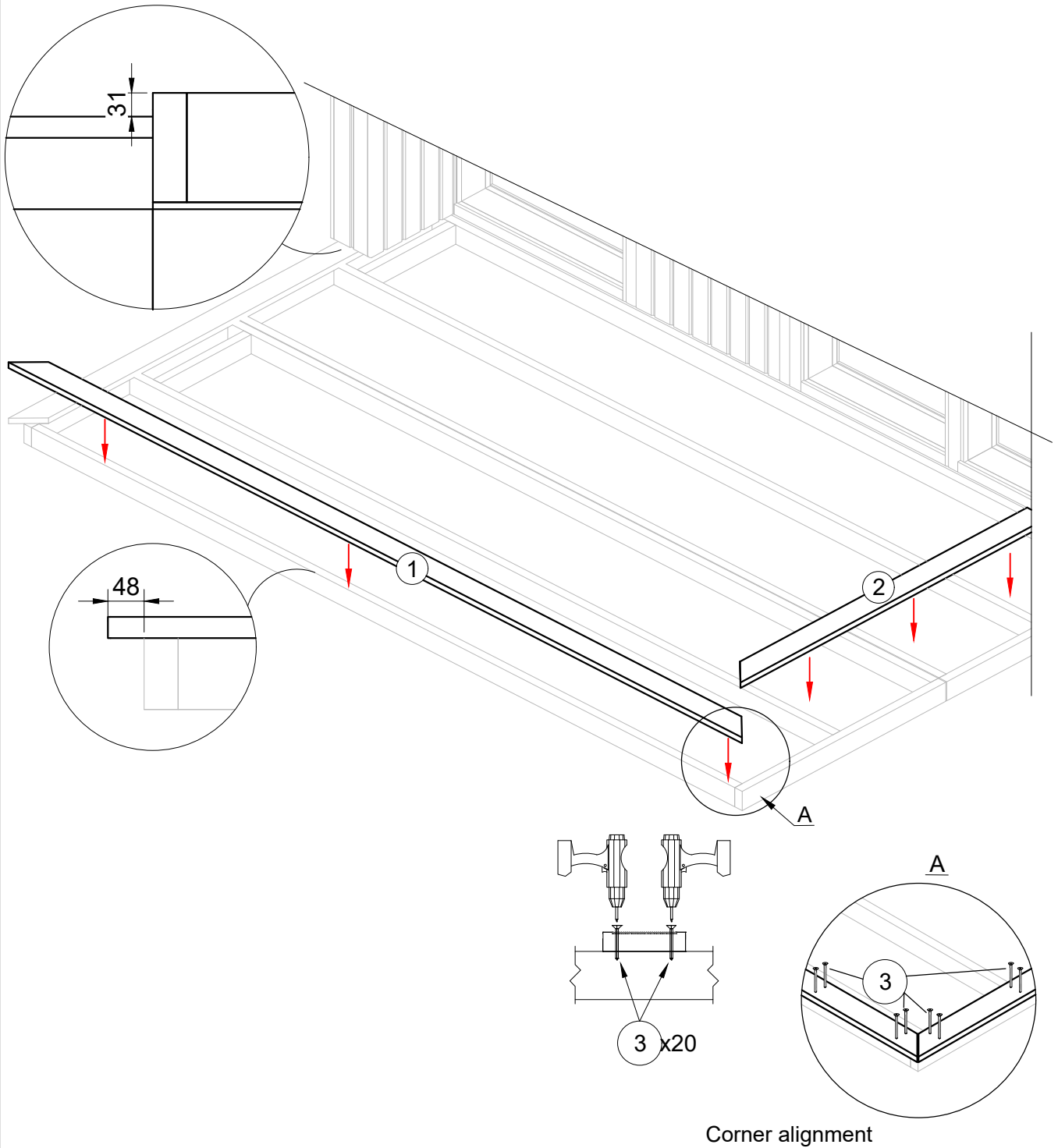
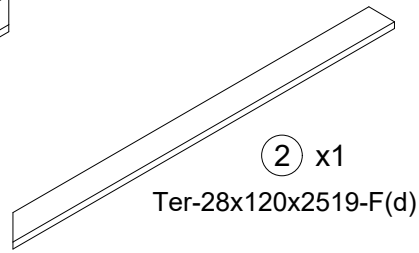
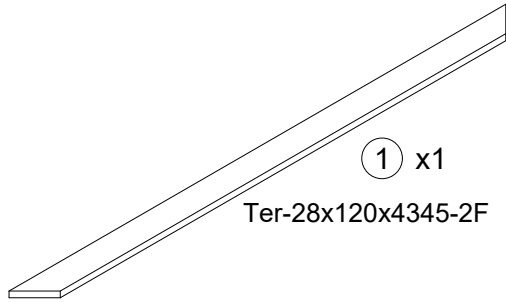
- ⑤ x80
- T-V-1.55x32



# 5.6 LOFTHOUSE I 24m2 SLIDING DOOR INSTALATION



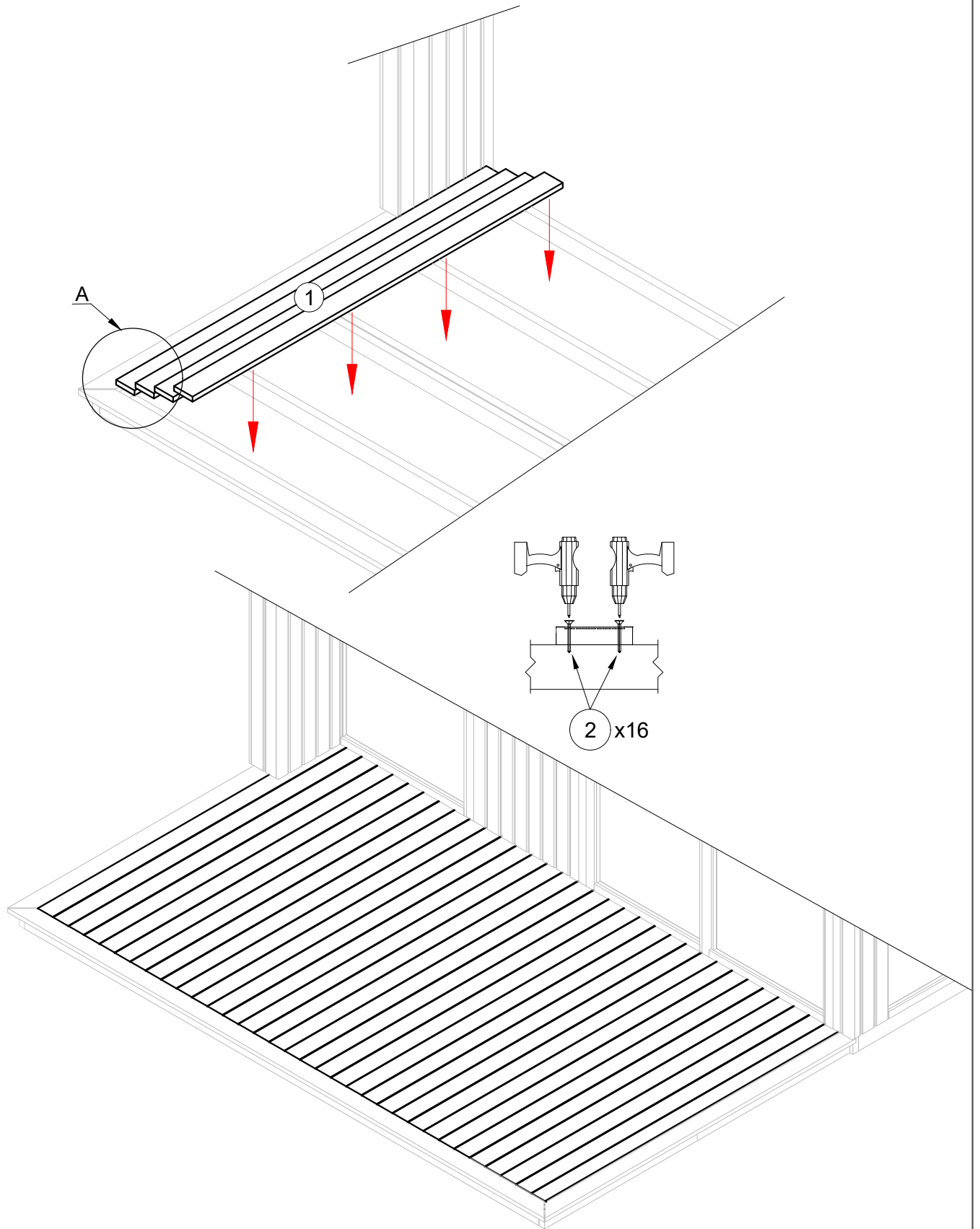
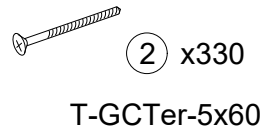
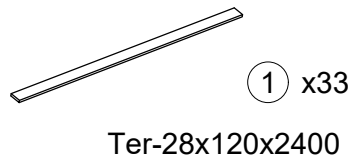
# 6. LOFTHOUSE | 24m<sup>2</sup> ASSEMBLY OF TERRACE



Corner alignment



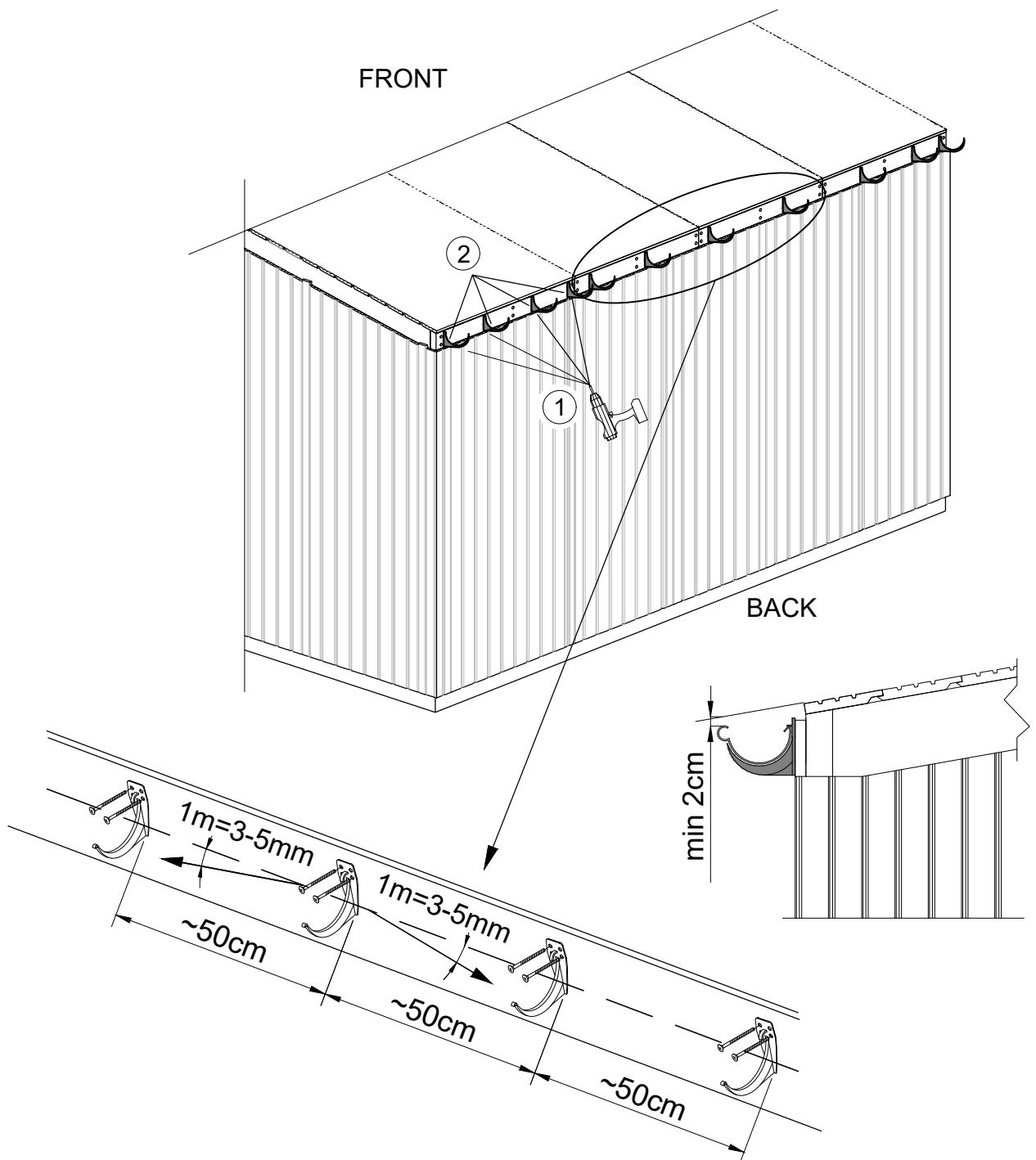
# 6.1 LOFTHOUSE I 24m2 ASSEMBLY OF TERRACE



# 7. LOFTHOUSE I 24m<sup>2</sup> RAIN SYSTEM INSTALLATION









① x56  
T-BC-3.5x45

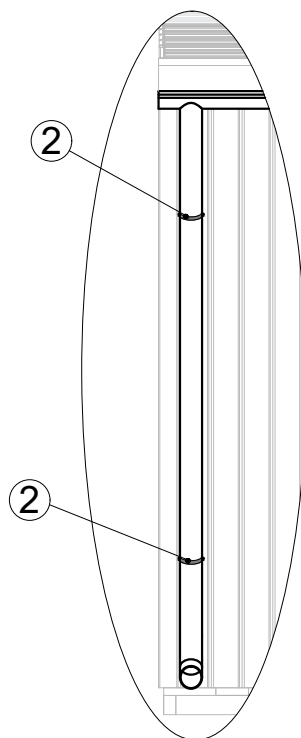
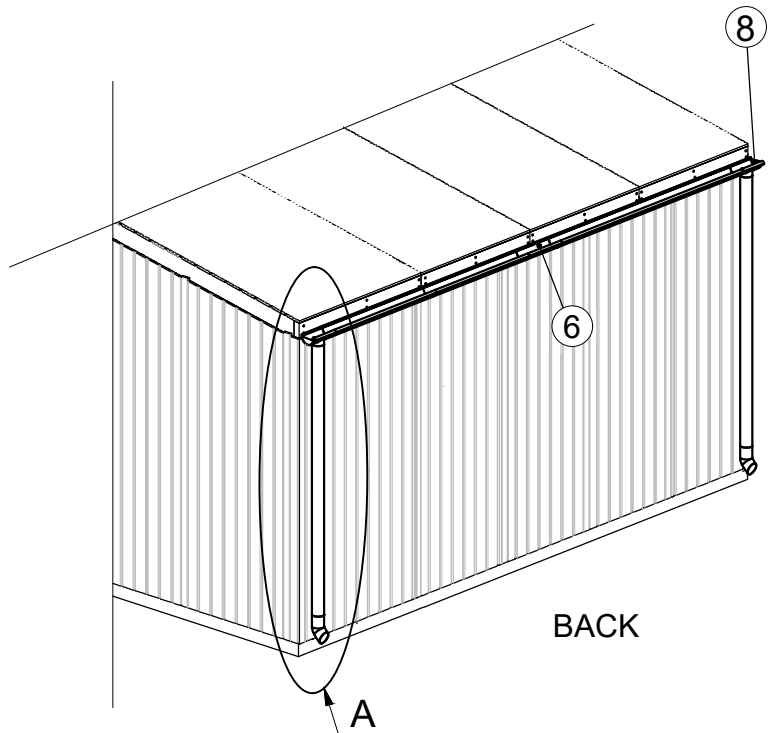
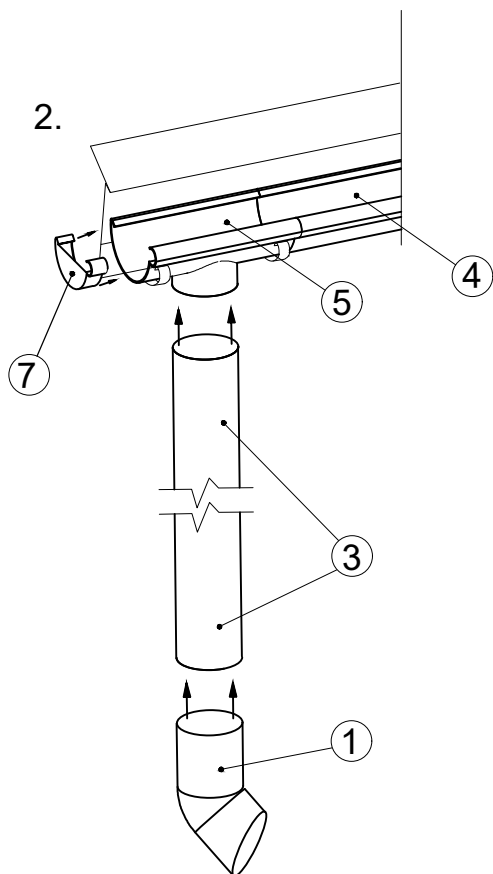
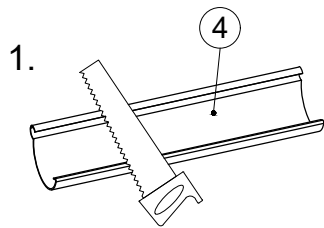
② x14  
Liet-lietlov-laikiklis



# 8. LOFTHOUSE | 24m<sup>2</sup>

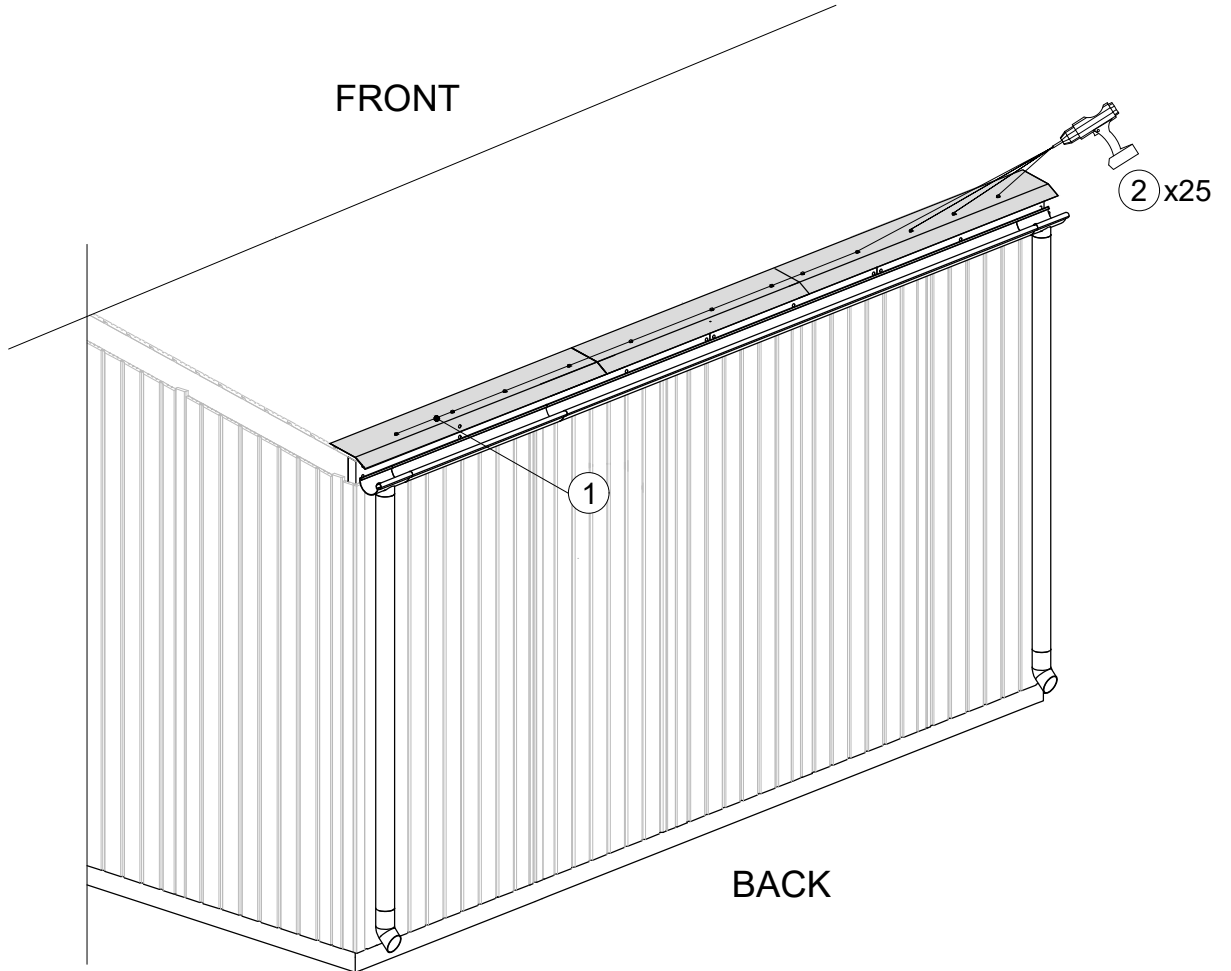
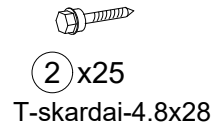
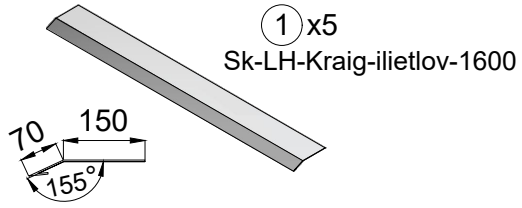
## RAIN SYSTEM INSTALLATION

- 





- ① x2 Liet-lietvamzd-laikiklis
② x4 Liet-lietvamzd-3m
③ x2 Liet-lietlov-4m
④.1 x1 Liet-lietlov-3m
⑤ x2 Liet-d80-ilaja
- Liet-d80-alkune
Liet-jung
-  x1 Liet-akle-kaire
 x1 Liet-akle-desine



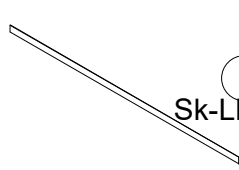
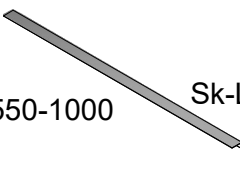


# 9. LOFTHOUSE I 24m2

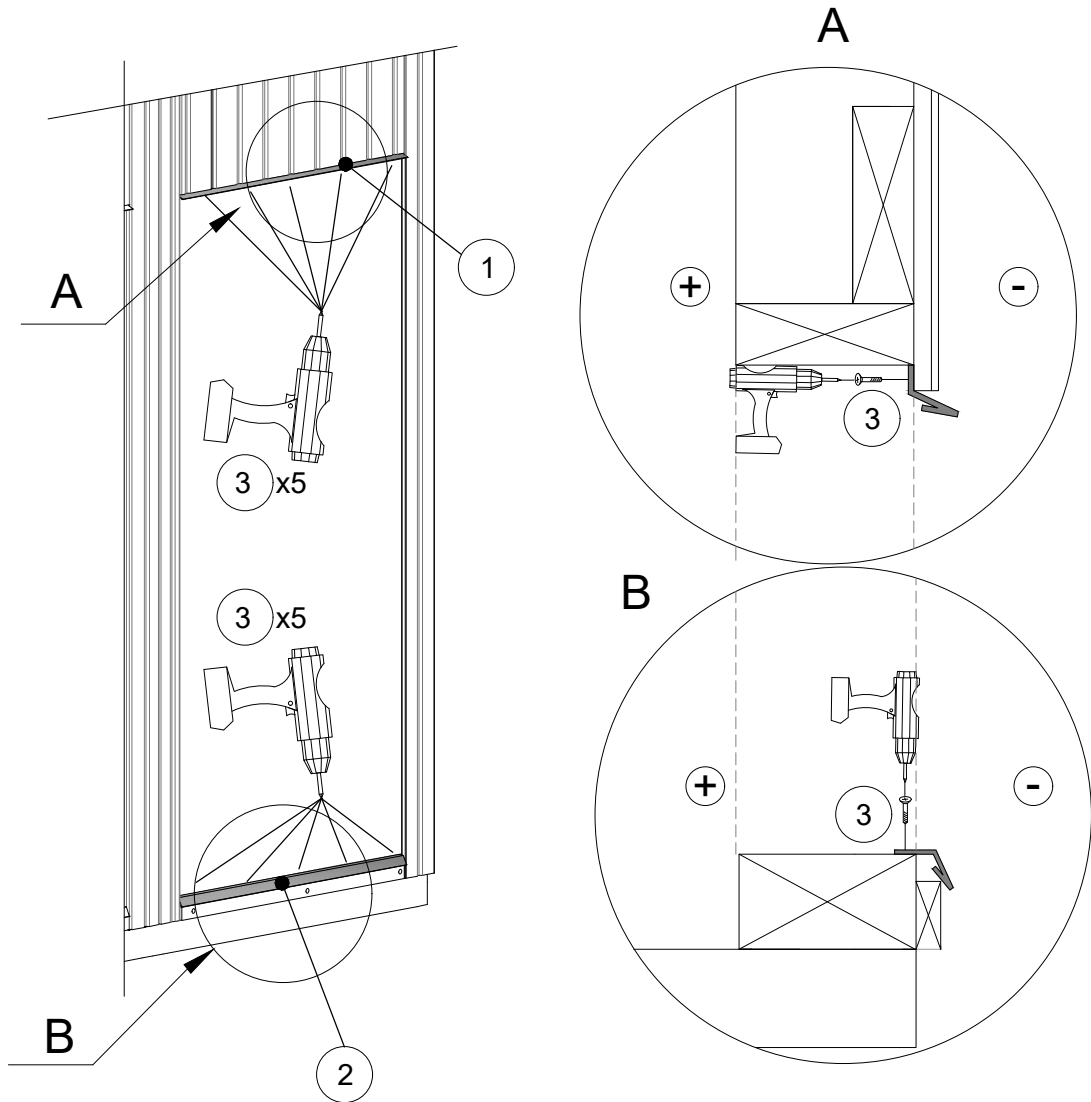
## ROOF REAR TIN



# 10. LOFTHOUSE I 24m2

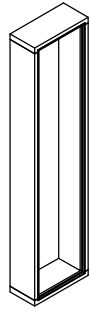
## TIN - PLATE

-  ① x1  
Sk-LH-Stog-550-1000
-  ② x1  
Sk-LH-Pal-550-1000
-  ③ x80  
T-JC-4.2x13
-  ④ x20  
T-skardai-4.8x28

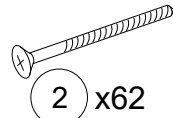


# 11.1 LOFTHOUSE | 24m2

## WINDOWS AND DOORS INSTALATION

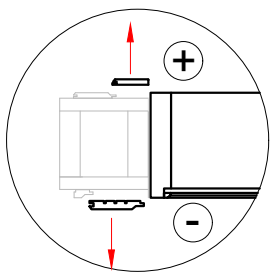
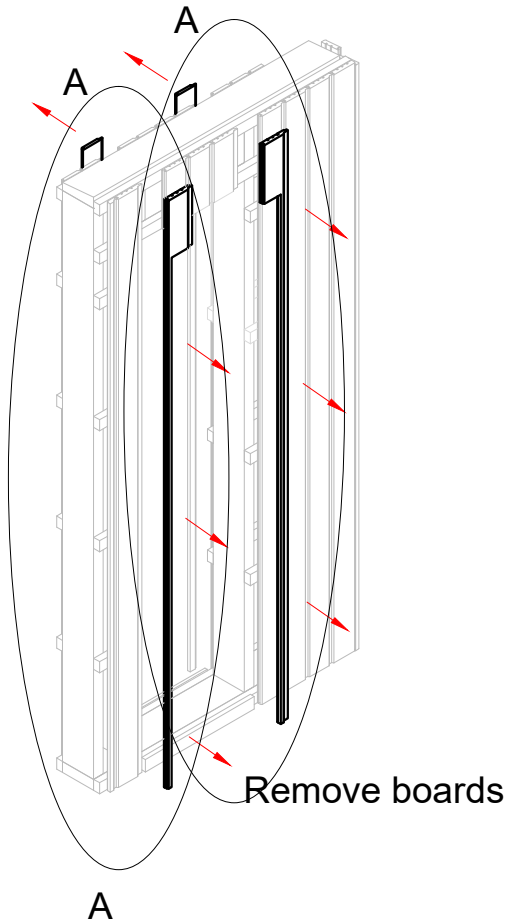


1  
 LH-L-990x1817/1903  
 or  
 LH-L-845x1997/2071  
 or  
 LH-L-500x2090d  
 or  
 LH-L-845x2090  
 or  
 LH-L-500x2090

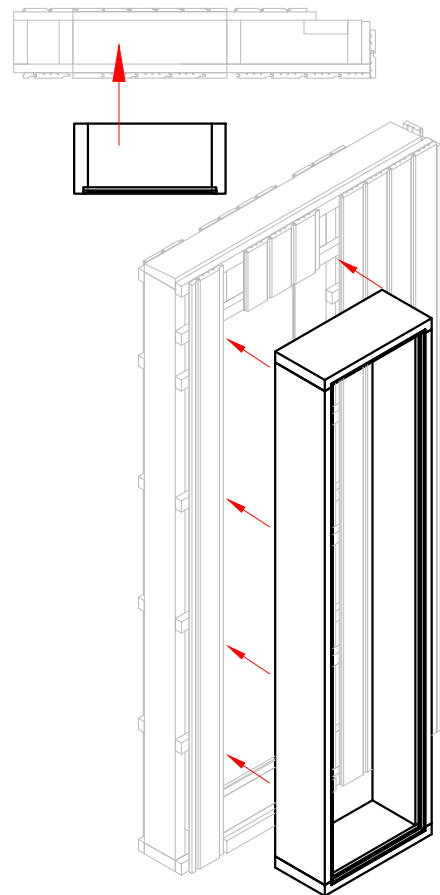


2 x62  
 T-GC-5x100

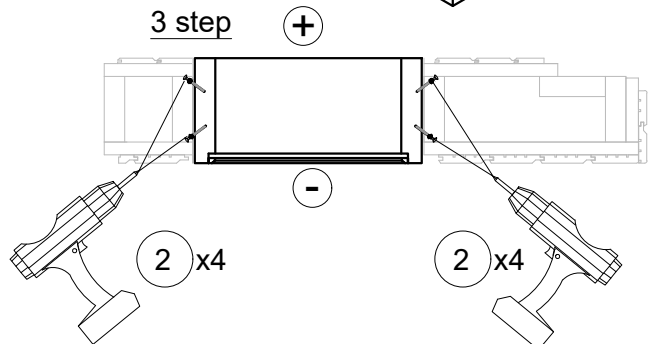
1 step



2 step



3 step



# 11.2 LOFTHOUSE | 24m2

## WINDOWS AND DOORS OUTSIDE FINISHING

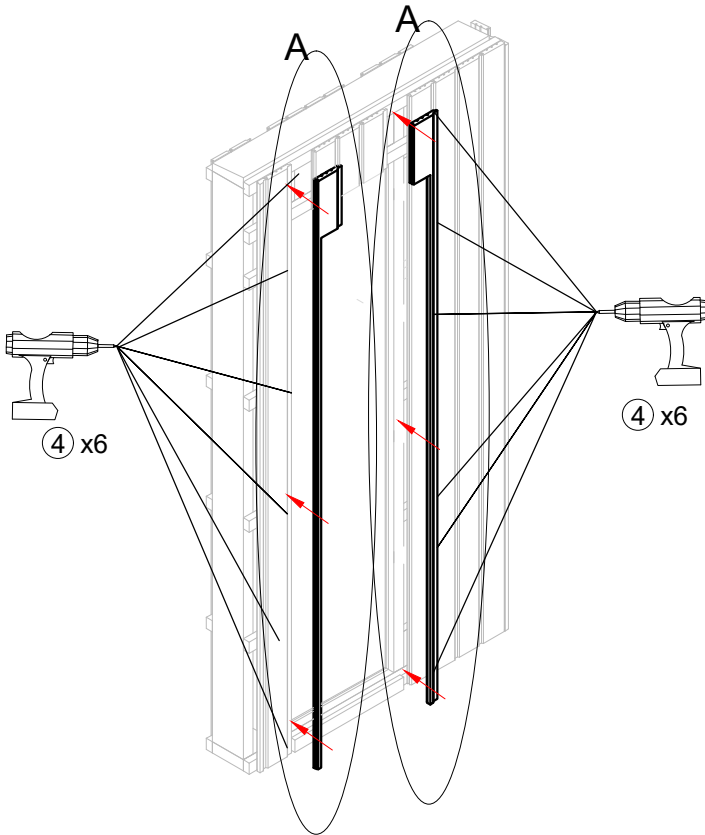
①  
Md-18x58x2038-2F  
or  
Md-18x58x2382-2F  
or  
Md-18x58x2386-2F

②  
Md-18x58x995-2F  
or  
Md-18x58x905-2F  
or  
Md-18x58x850-2F  
or  
Md-18x58x505-2F

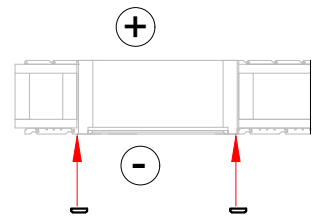
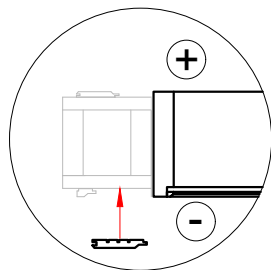
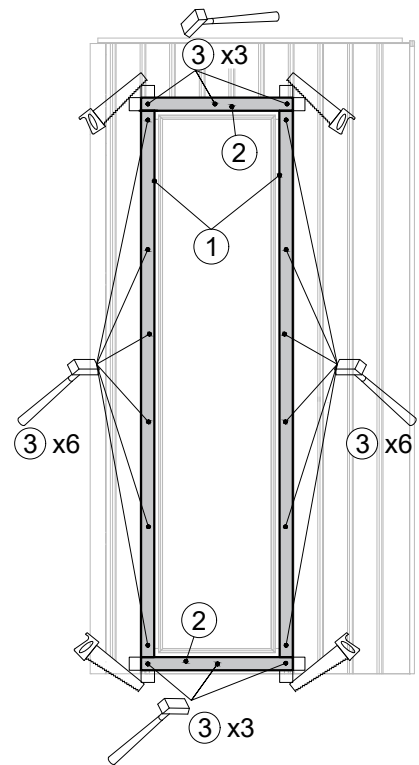
③ x162  
T-V-1.55x32

④ x120  
T-GC-3.5x45

1 step



2 step



Fix window/door finishing

# 11.3 LOFTHOUSE | 24m2

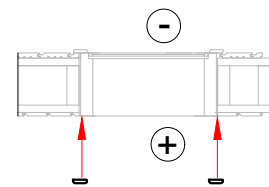
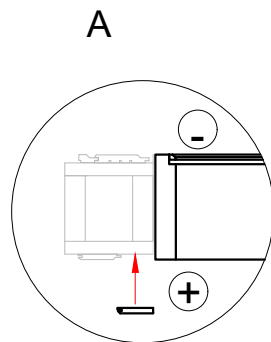
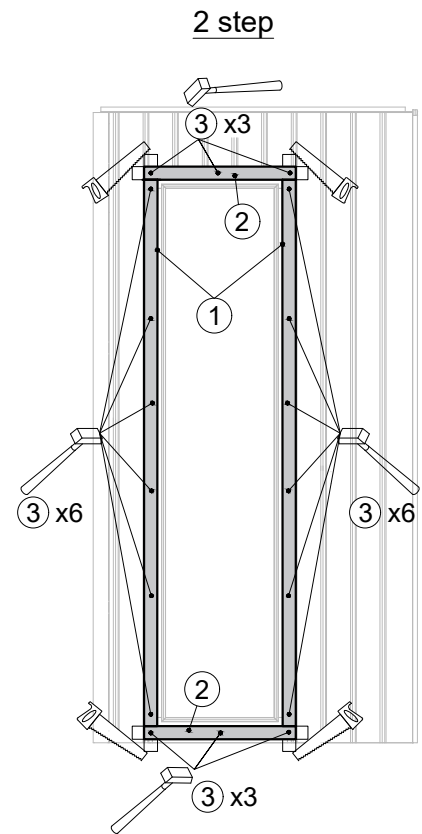
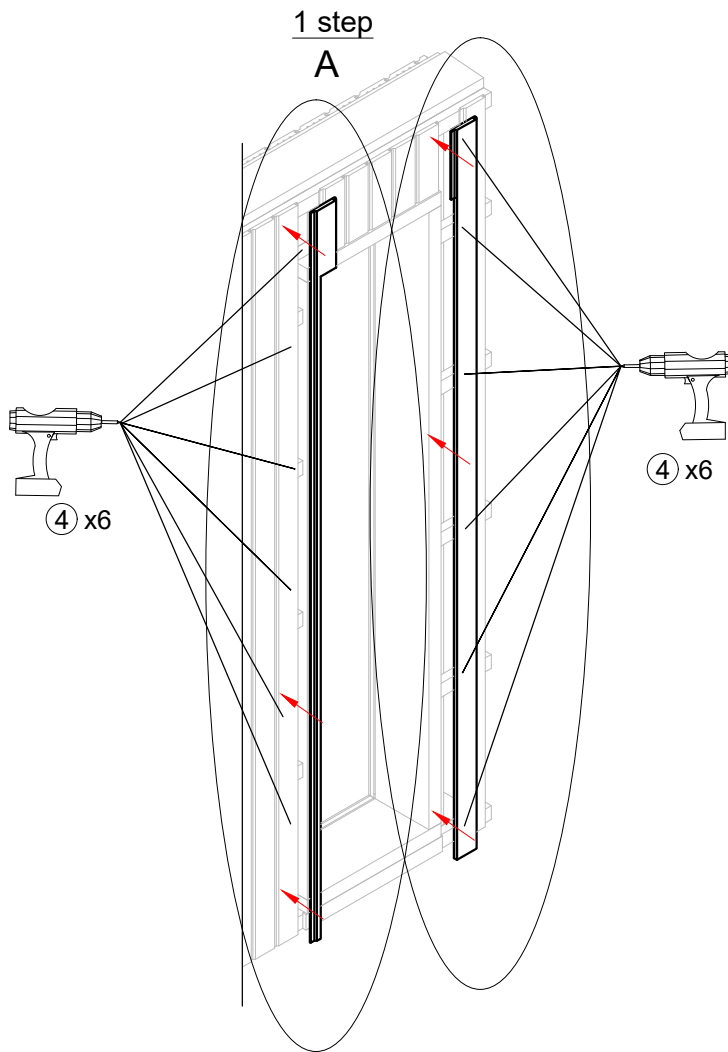
## WINDOWS AND DOORS INSIDE FINISHING

①  
Md-12x58x1985-2F  
or  
Md-12x58x2013-2F  
or  
Md-12x58x2360-2F

②  
Md-12x50x995-2F  
or  
Md-12x50x905-2F  
or  
Md-12x50x850-2F  
or  
Md-12x50x505-2F

③ x162  
T-V-1.55x32

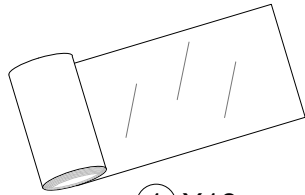
④ x120  
T-GC-3.5x45



Fix window/door finishing



# 12. LOFTHOUSE | 24m<sup>2</sup> Bitumen Roll Roof Cover Instalation



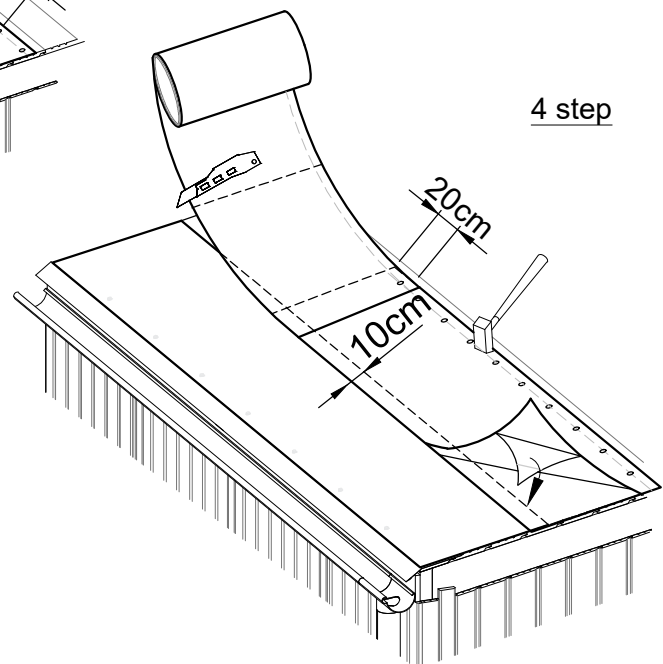
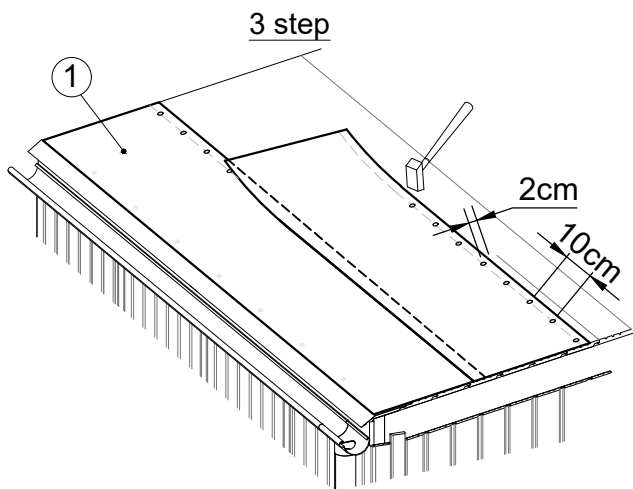
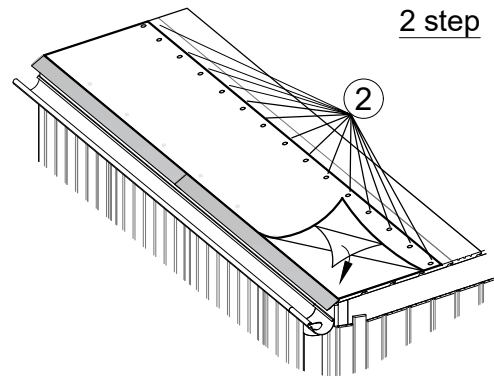
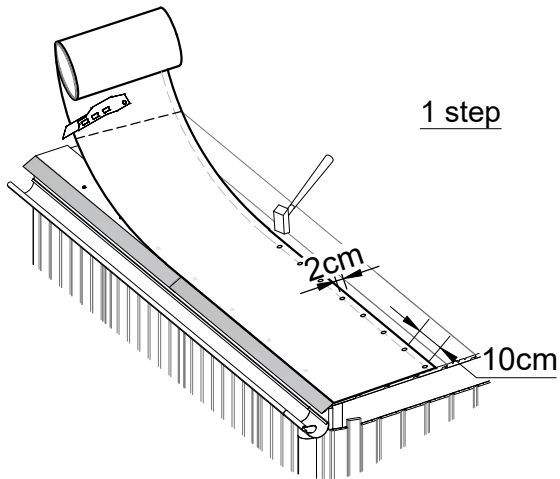
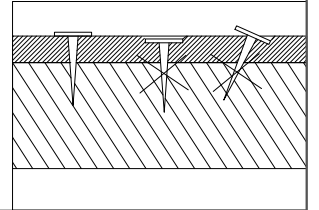
① X18

Mid-limp3x500x5000



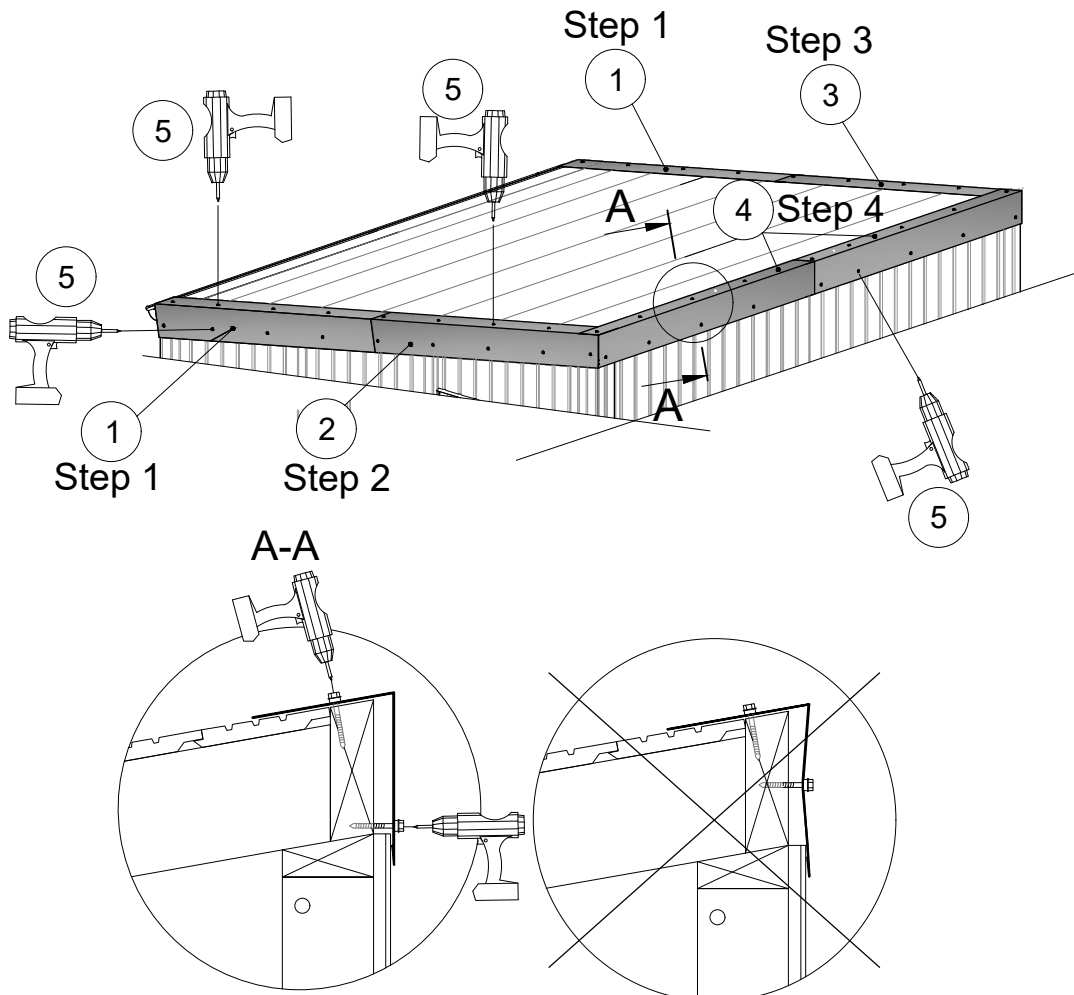
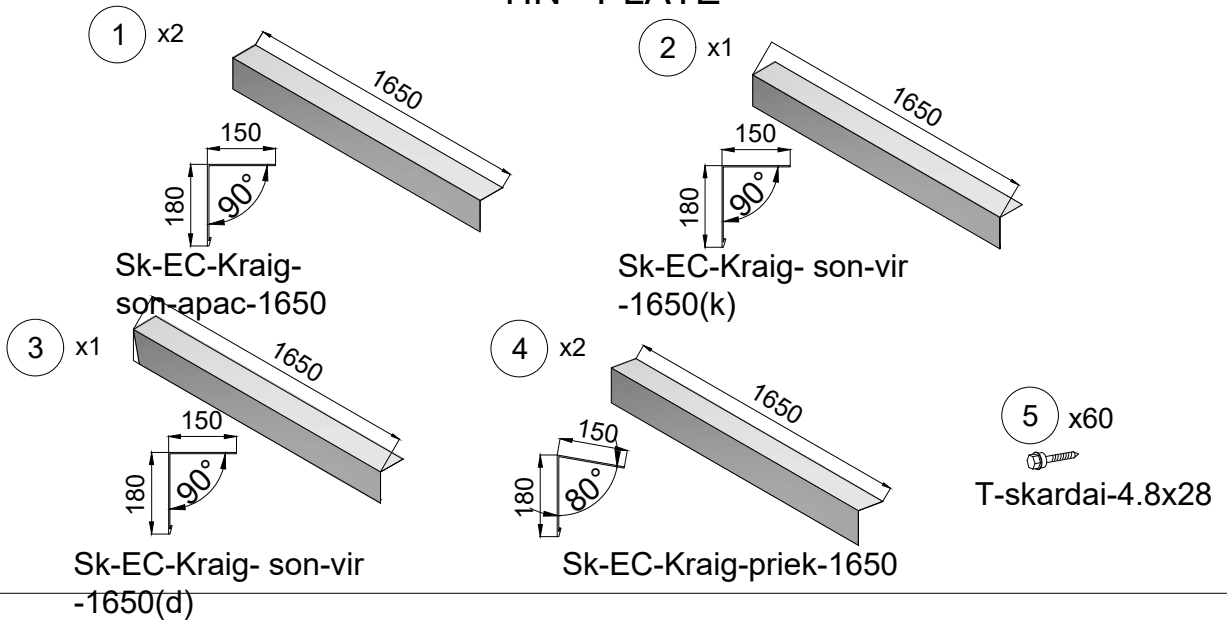
② x300

T-V-2x20

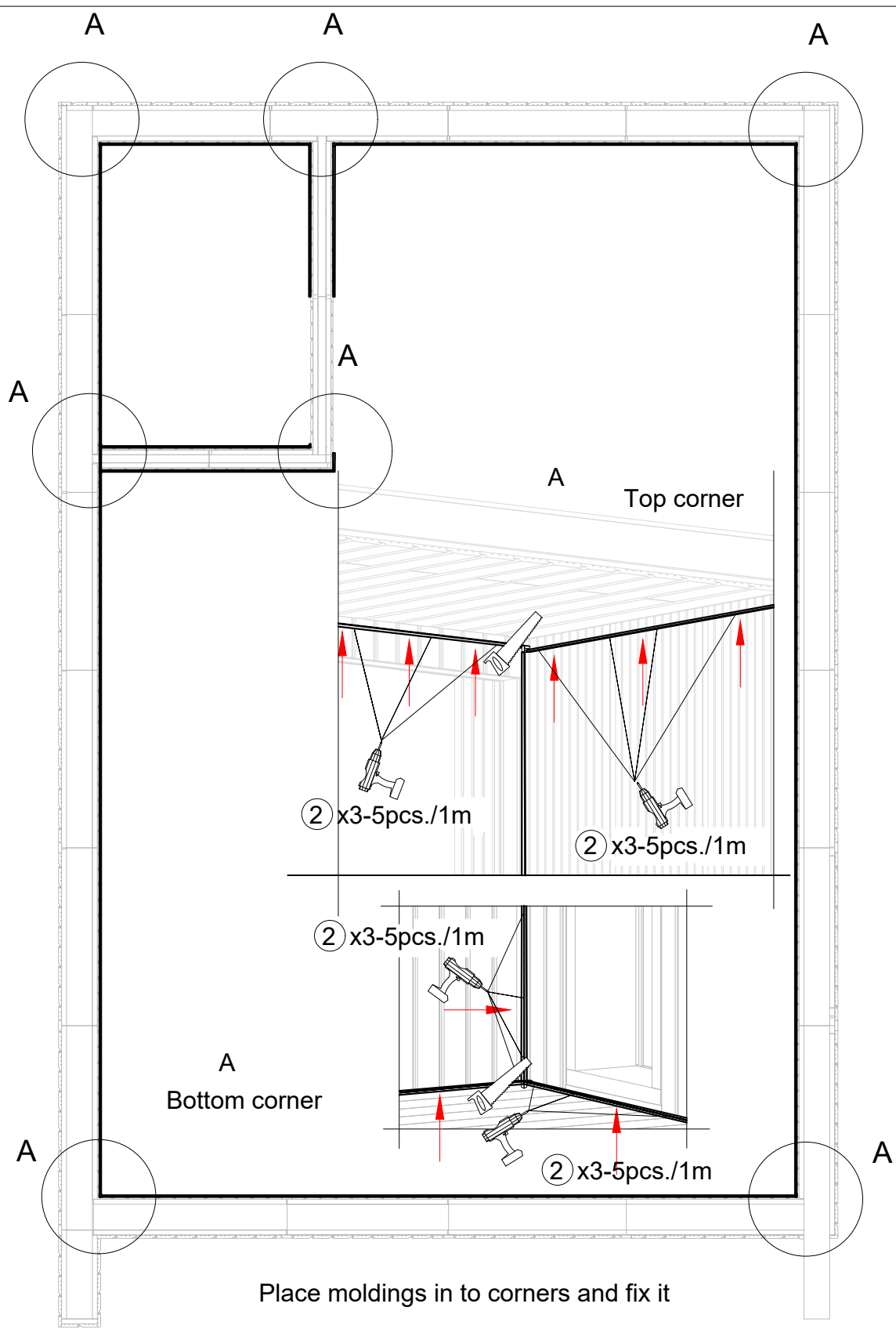
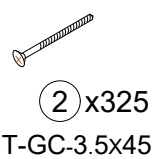
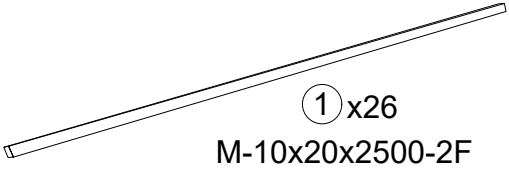


# 13. LOFTHOUSE | 24m<sup>2</sup>

## TIN - PLATE



# 14. LOFTHOUSE I 24m2 INSIDE FINISHING



Place moldings in to corners and fix it

