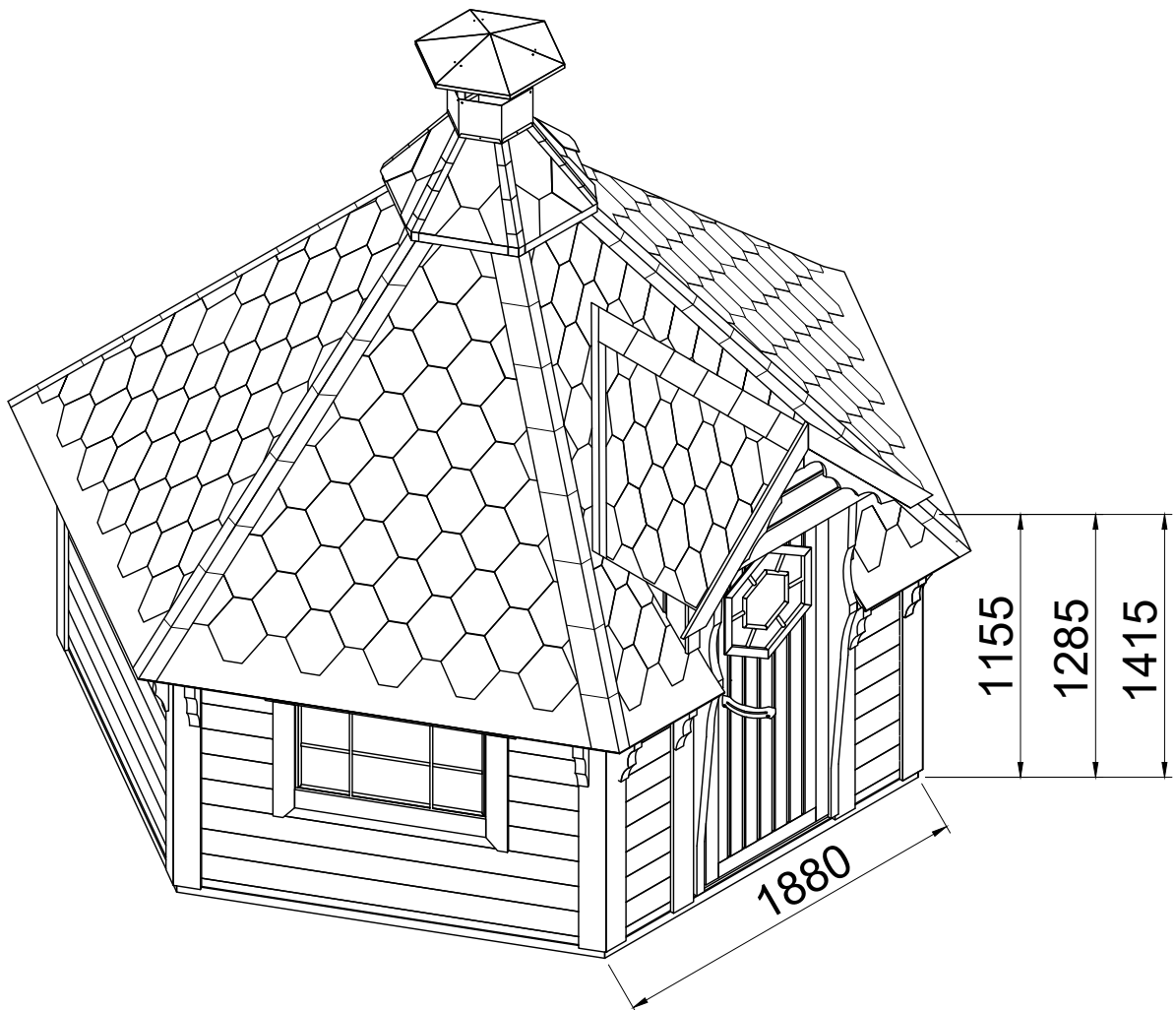
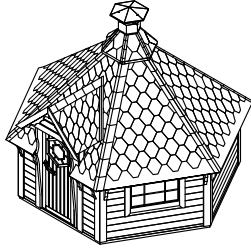


## GRILL / CAMPING / SAUNA CABIN 9.2

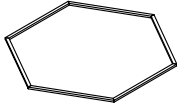


# Stages of assembly

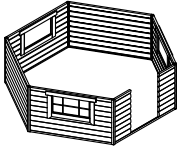
Grill / Camping / Sauna



**1. Step:**  
wood ring



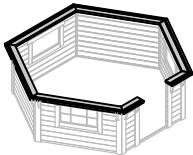
**2. Step:**  
walls



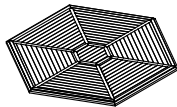
**3. Step:**  
decoration (support)



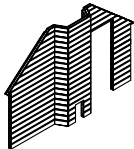
**4. Step:**  
roof support ring



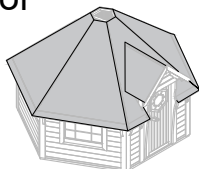
**5. Step:**  
floors



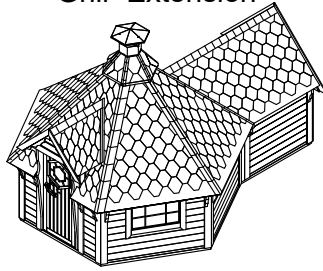
**6. Step:**  
inside wall



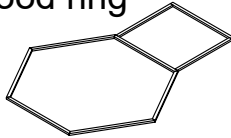
**7. Step:**  
roof



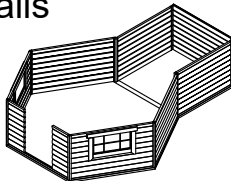
Grill+Extension



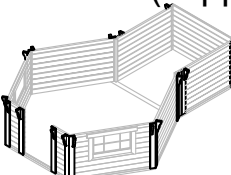
**1. Step:**  
wood ring



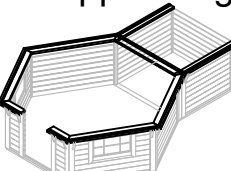
**2. Step:**  
walls



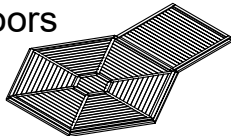
**3. Step:**  
decoration (support)



**4. Step:**  
roof support ring



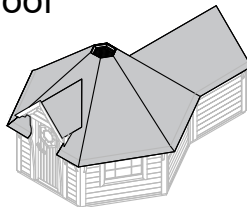
**5. Step:**  
floors



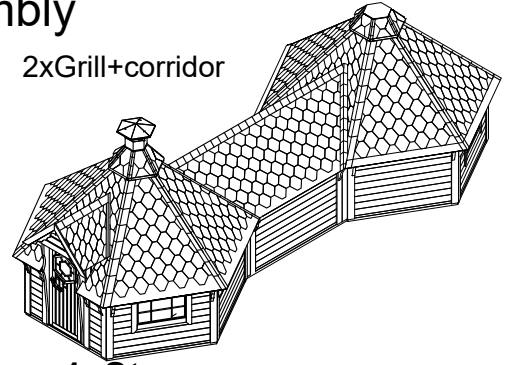
**6. Step:**  
inside wall



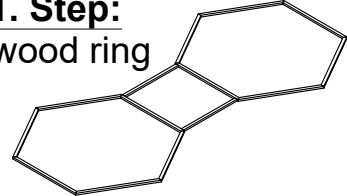
**7. Step:**  
roof



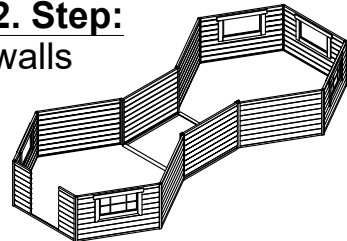
2xGrill+corridor



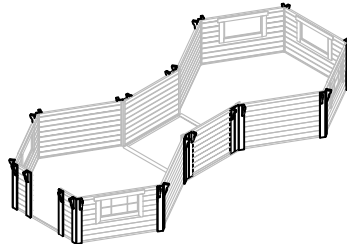
**1. Step:**  
wood ring



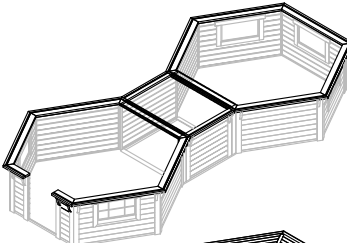
**2. Step:**  
walls



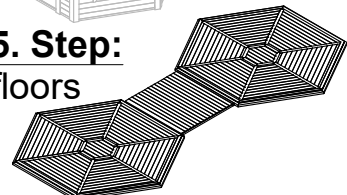
**3. Step:**  
decoration (support)



**4. Step:**  
roof support ring



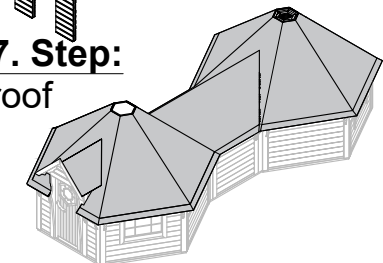
**5. Step:**  
floors



**6. Step:**  
inside wall



**7. Step:**  
roof



## Grill / Camping / Sauna Cabin 9.2 FOUNDATION

It is very important to have a proper foundation.

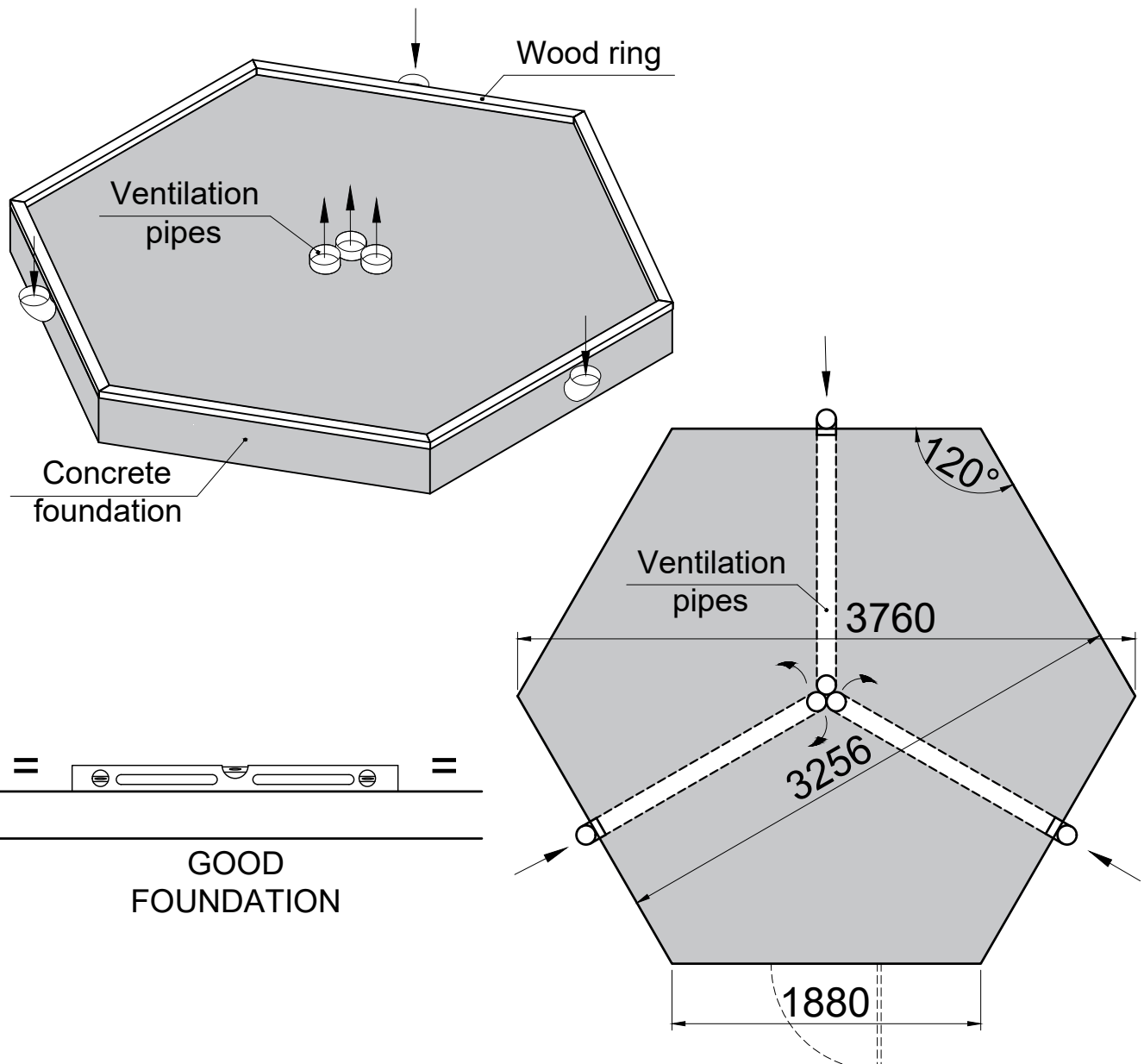
Therefore we recommend making the foundation according to the sketches here. First of all, foundation must be prepared according to the landscape and ground conditions.

The foundation under the product must be prepared specially, it must be homogeneous, tight and equal. It must be ensured that it will not change its properties. We recommend using concrete foundation. Before installation of product, we recommend to make hydro isolation of foundation.

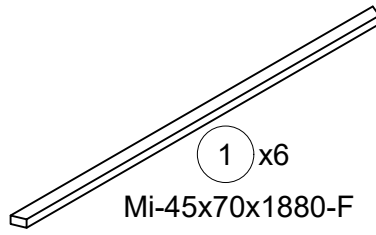
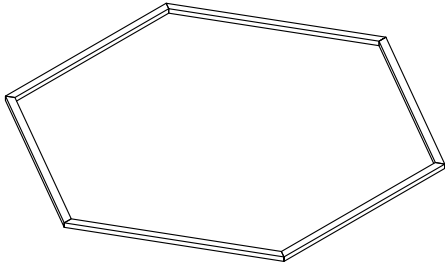
Consult a local qualified builder or an engineer to prepare a proper foundation, which fits to your location.

Due to improper foundation, cracks in the structures may occur. Due to uneven product seating, the geometric shape of the product may change, which can result in door / window twist, or/and gap may appear. And in the worst case product's collapse.

If you do not follow recommendation, product will lose its warranty.



# 1. Grill / Camping / Sauna Cabin 9.2 WOOD RING - FOUNDATION



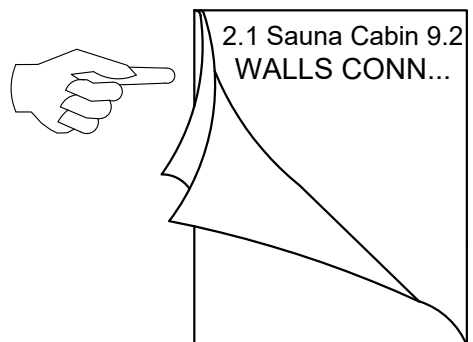
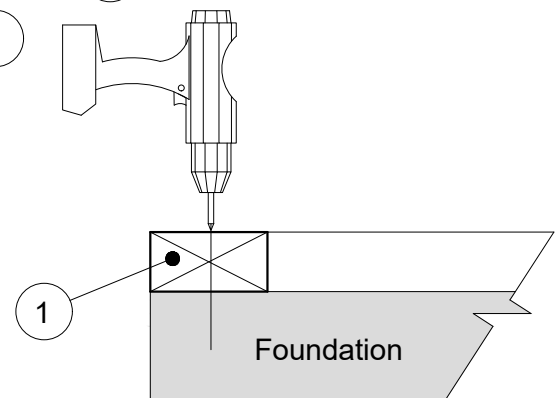
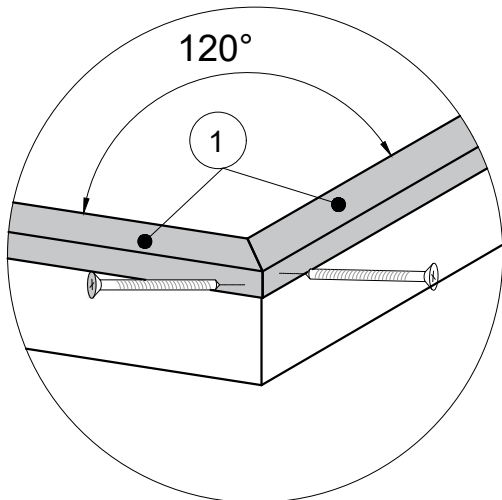
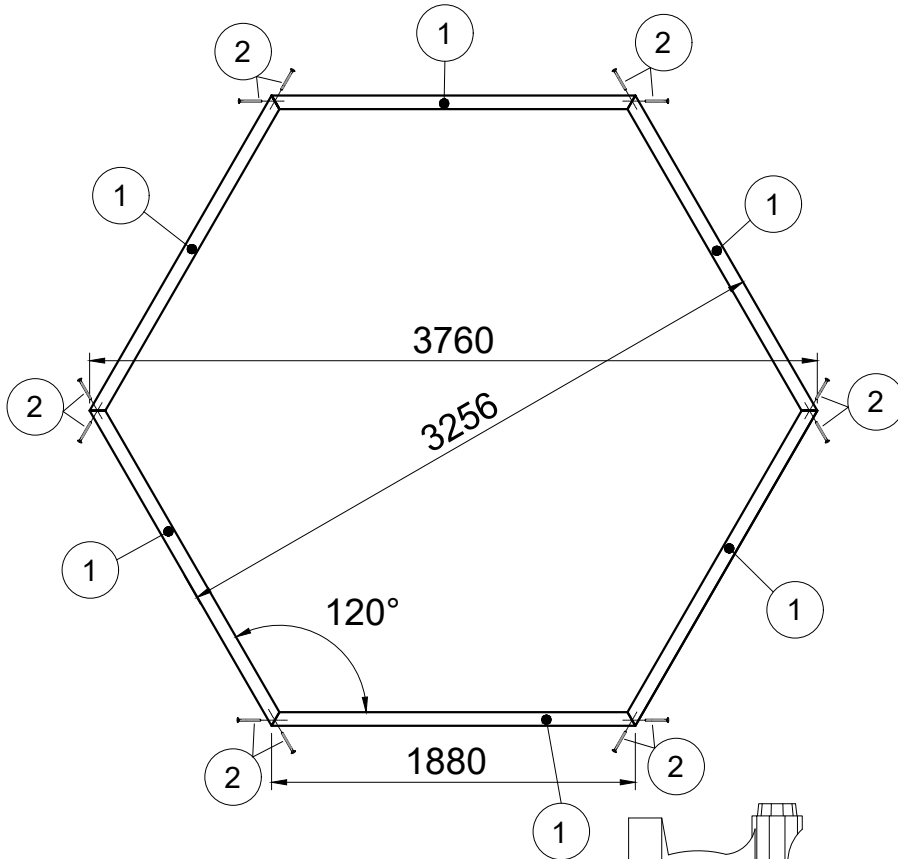
1 x6

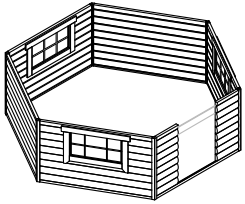
Mi-45x70x1880-F



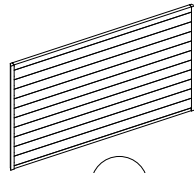
2 x12

T-GC-5x100



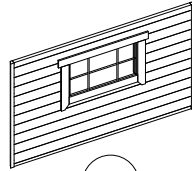


## 2. Grill / Camping Cabin 9.2 WALLS CONNECTION



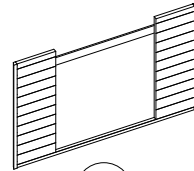
1 x2

GR9.2-S-1155x1880  
or  
GR9.2-S-1285x1880  
or  
GR9.2-S-1415x1880



2 x3

GR9.2-SL-1155x1880  
or  
GR9.2-SL-1285x1880  
or  
GR9.2-SL-1415x1880



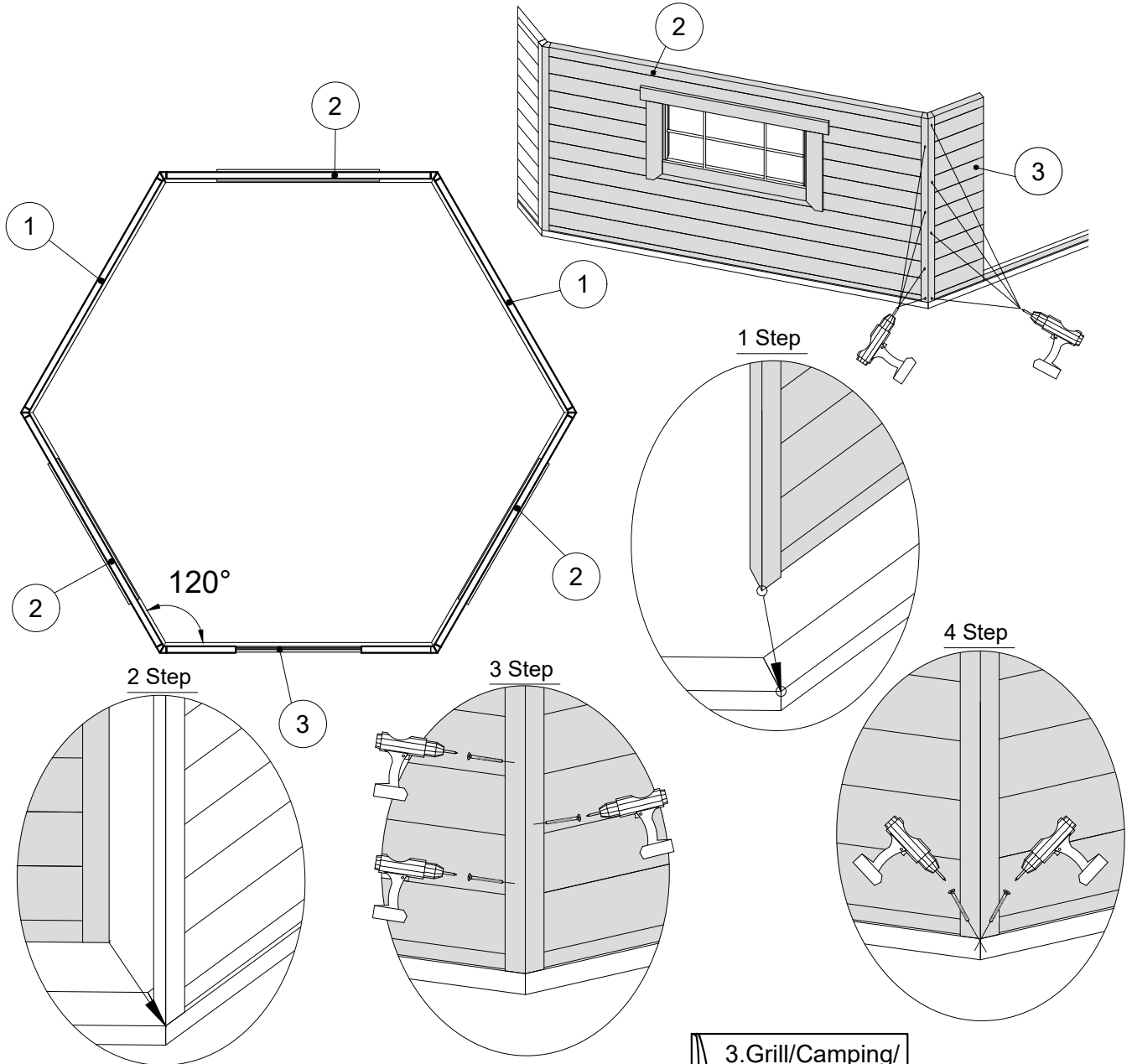
3 x1

GR9.2-SD-1155x1880  
or  
GR9.2-SD-1285x1880  
or  
GR9.2-SD-1415x1880



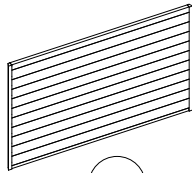
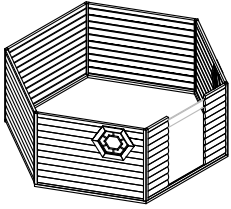
4 x48

T-GC-5x100



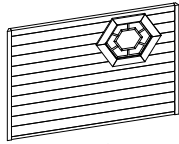
3. Grill/Camping/  
Sauna Cabin 9.2  
DECORATION..

## 2.1 Sauna Cabin 9.2 WALLS CONNECTION



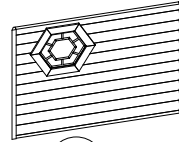
1 x3

GR9.2-S-1415x1880



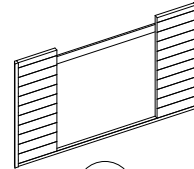
2 x1

S9.2-SL-1415x1880(k)



3 x1

S9.2-SL-1415x1880(d)

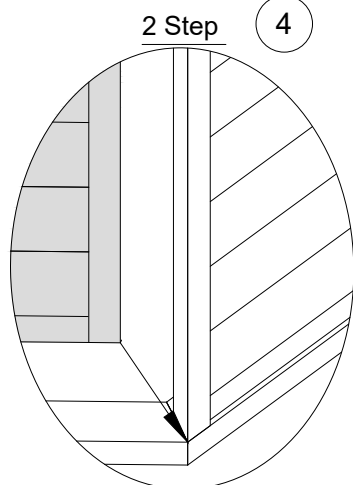
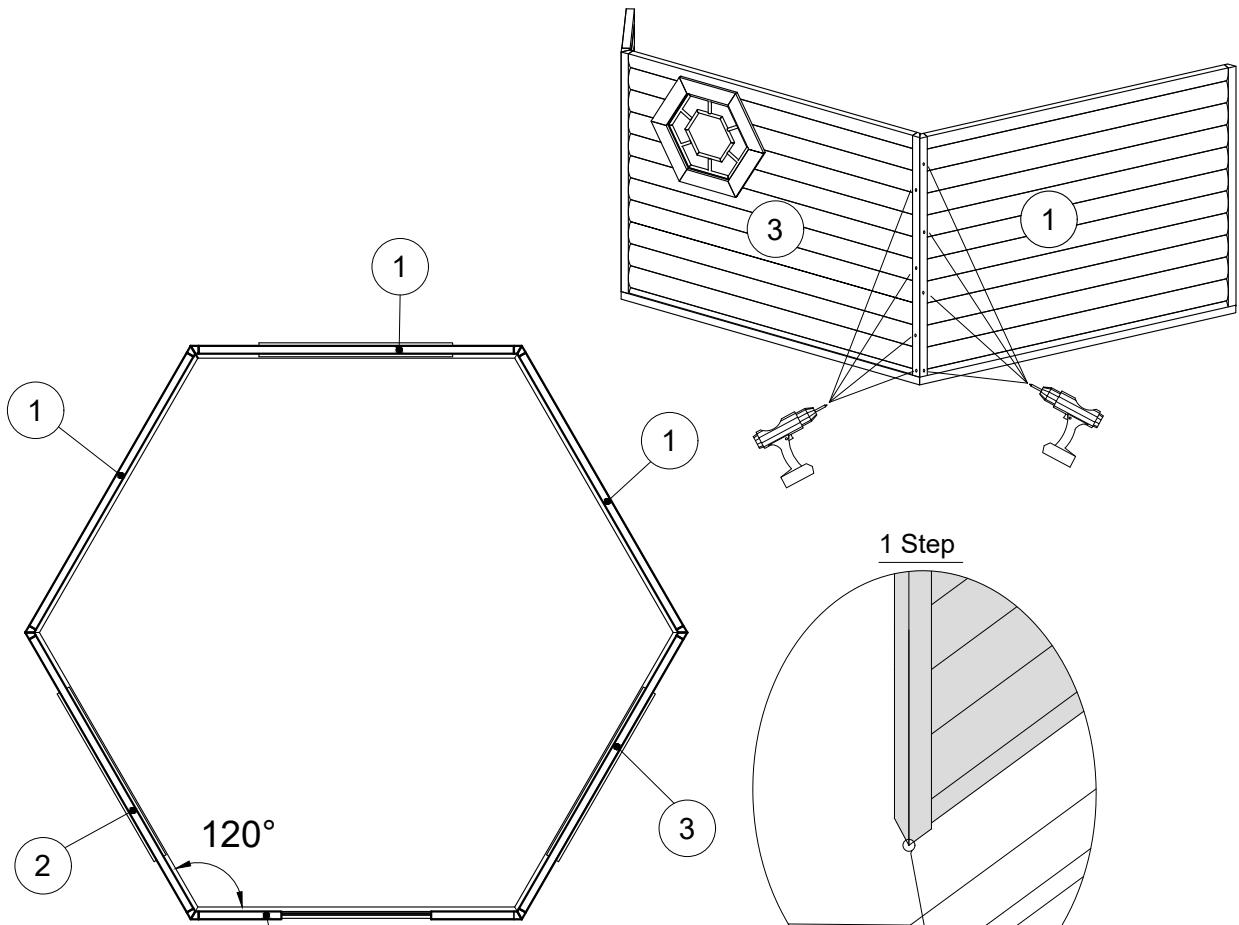


4 x1

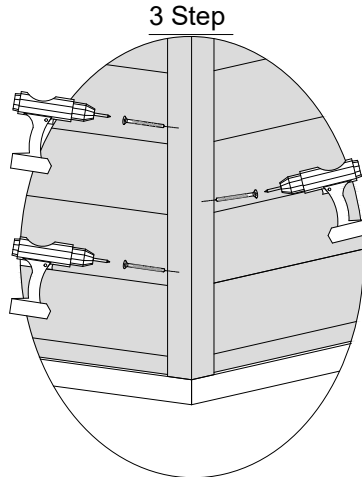
GR9.2-SD-1415x1880

5 x48

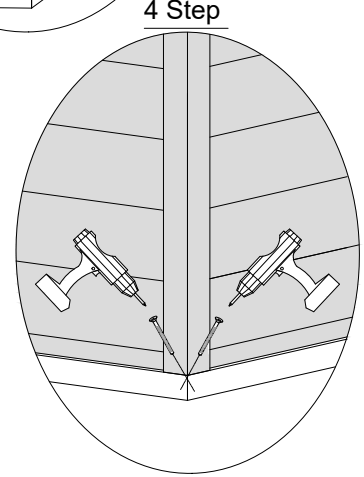
T-GC-5x100



2 Step

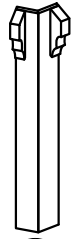
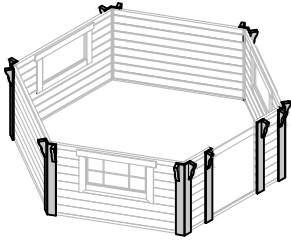


3 Step



4 Step

### 3. Grill / Camping / Sauna Cabin 9.2 DECORATION (SUPPORT) OUTSIDE



1 x6

GR-6k-Apd-1155  
or  
GR-6k-Apd-1285  
or  
GR-6k-Apd-1415



2 x1

GR-Apd(k)-1155  
or  
GR-Apd(k)-1285  
or  
GR-Apd(k)-1415



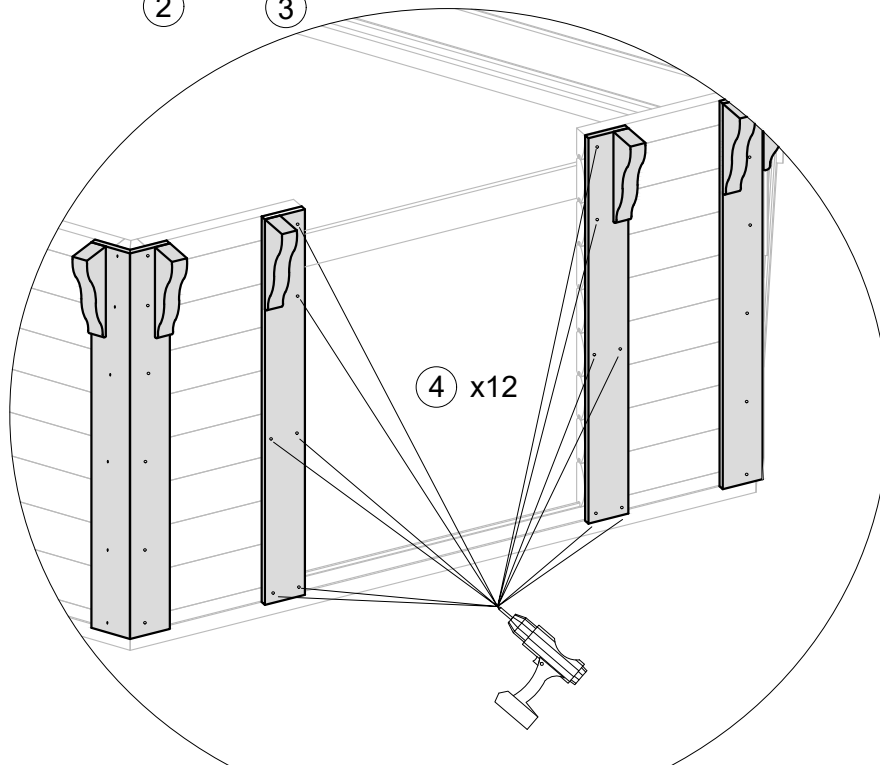
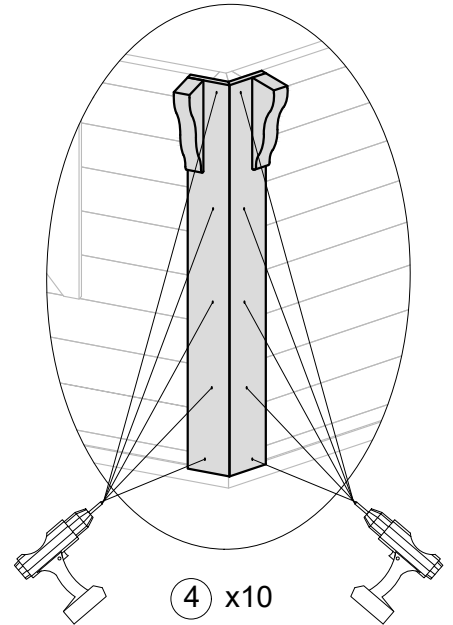
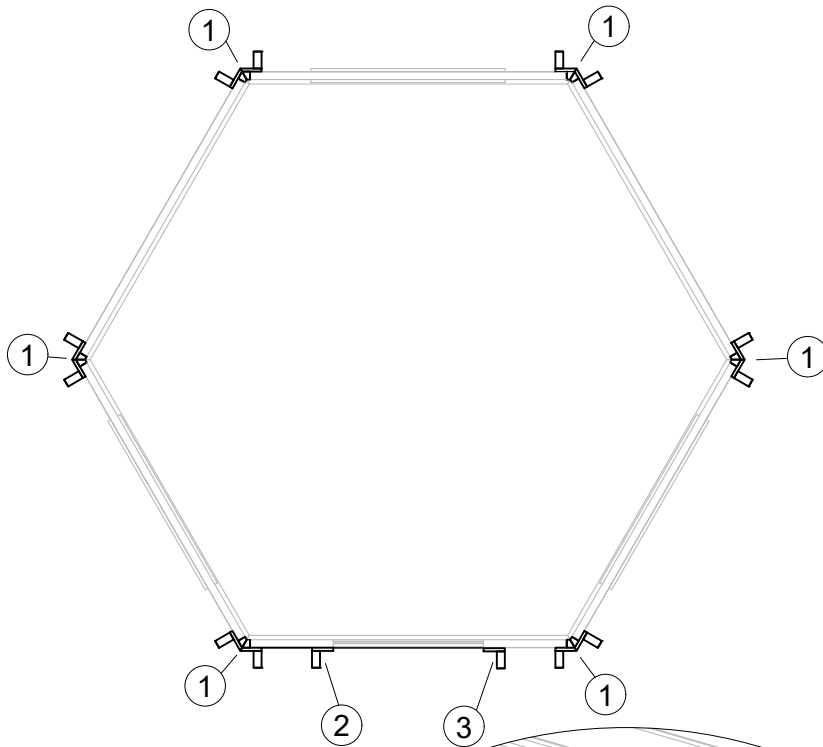
3 x1

GR-Apd(d)-1155  
or  
GR-Apd(d)-1285  
or  
GR-Apd(d)-1415

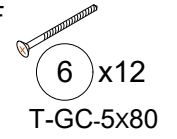
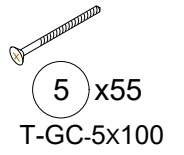
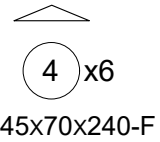
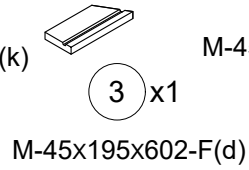
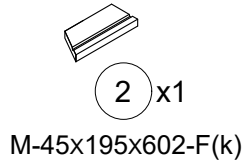
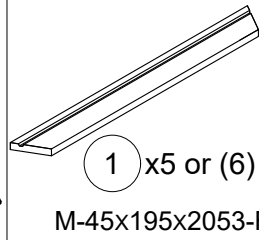
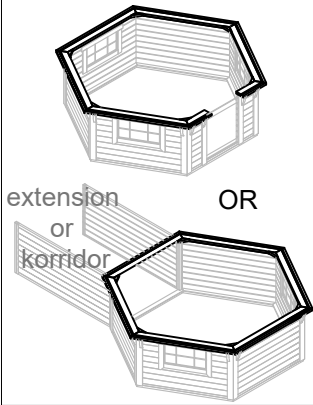


4 x72

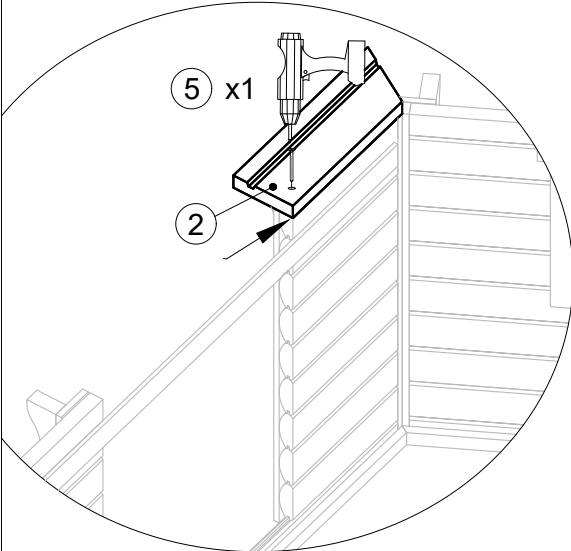
T-BC-4x50



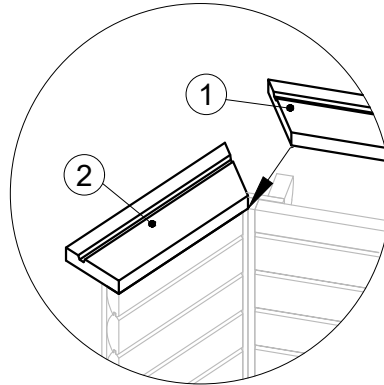
## 4. Grill / Camping / Sauna Cabin 9.2 ROOF SUPPORT RING



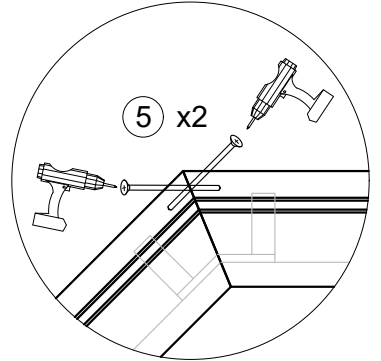
1 Step



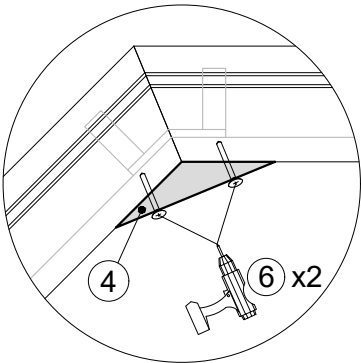
2 Step



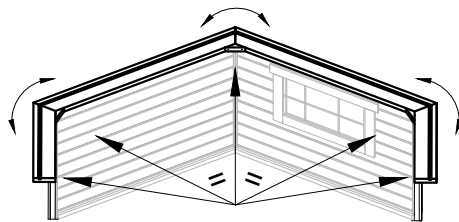
3 Step



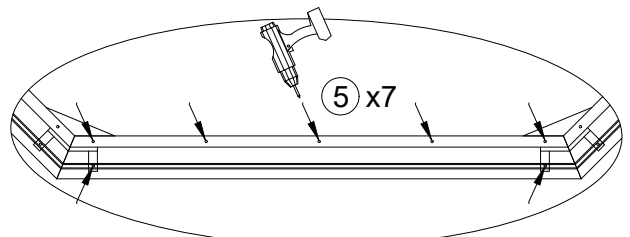
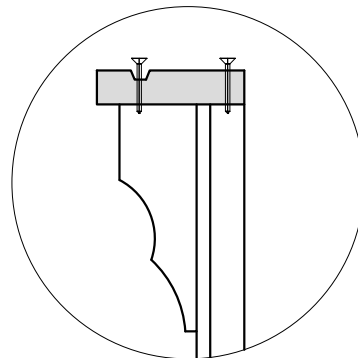
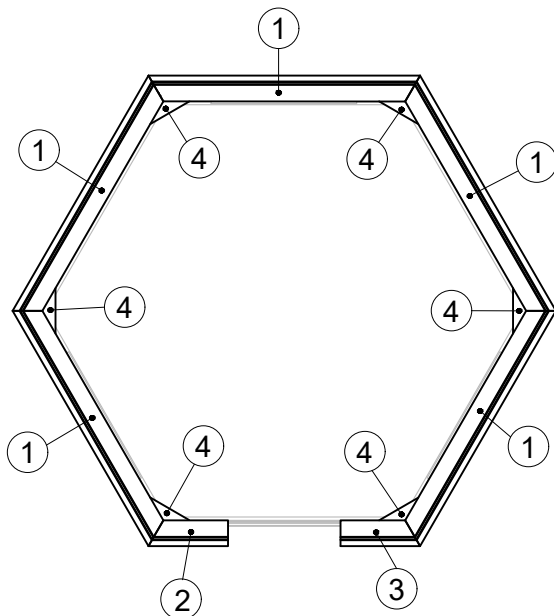
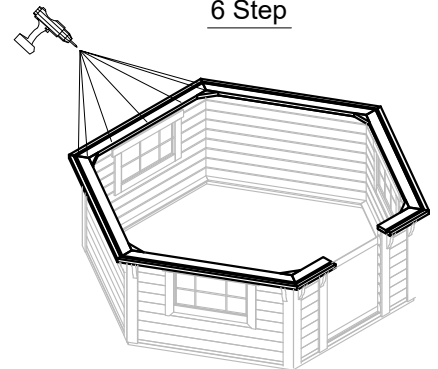
4 Step



5 Step

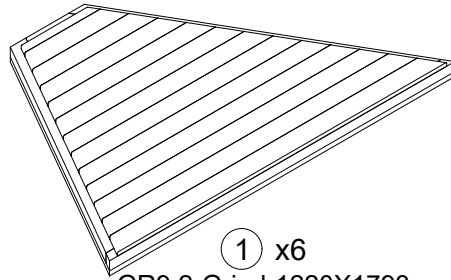
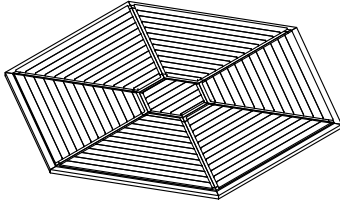


6 Step

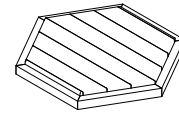




## 5. Grill / Camping / Sauna Cabin 9.2 FLOORS



**① x6**  
 GR9.2-Grind-1220X1793  
 or  
 GR9.2-I-Grind-1220X1793  
 or  
 GR9.2-Spunt-1220X1793  
 or  
 GR9.2-I-Spunt-1220X1793

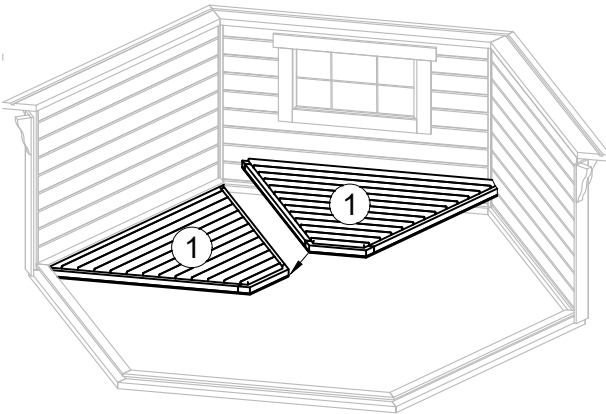


**② x1**  
 GR-6k-Grind-665X768  
 or  
 GR-6k-I-Grind-665X768  
 or  
 GR-6k-Spunt-665X768  
 or  
 GR-6k-I-Spunt-665X768

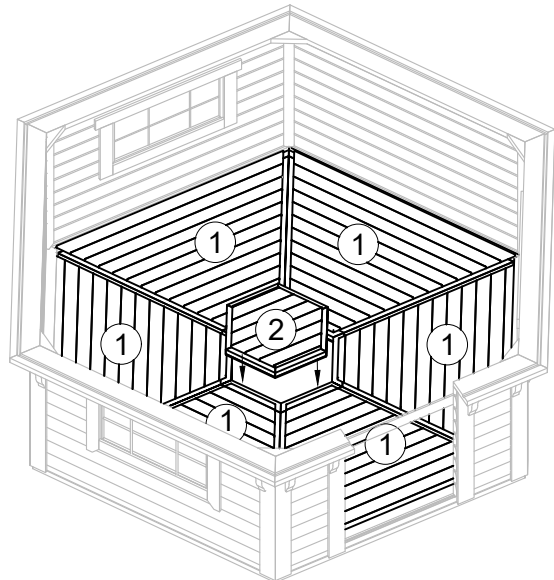


**③ x42**  
 T-BC-3.5x45

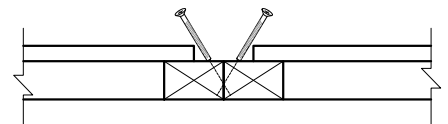
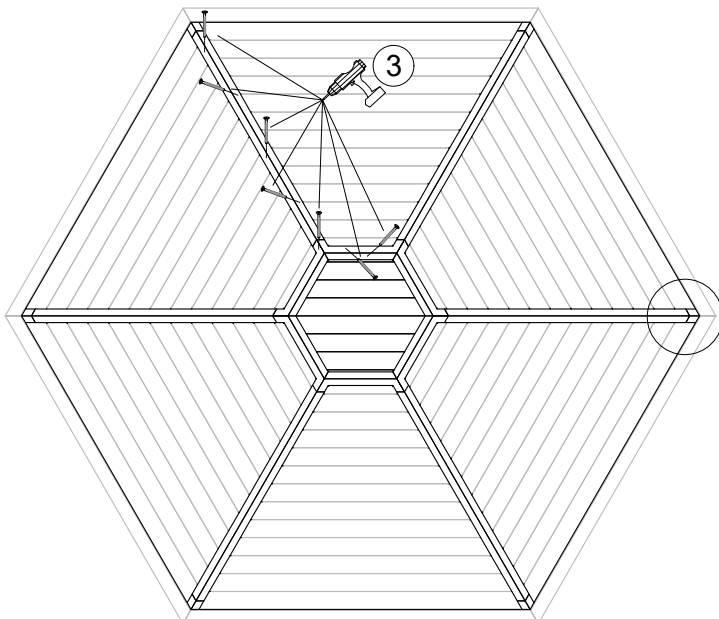
1 Step



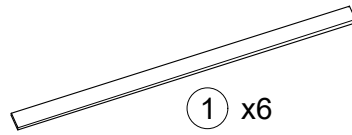
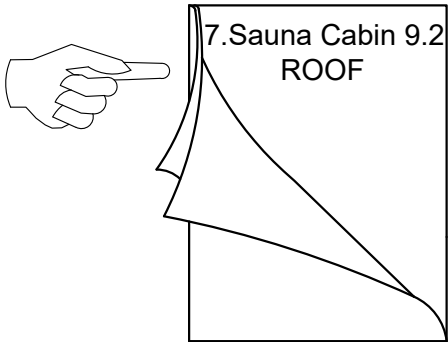
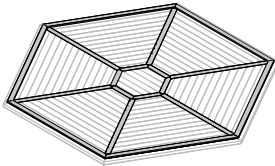
2 Step



3 Step



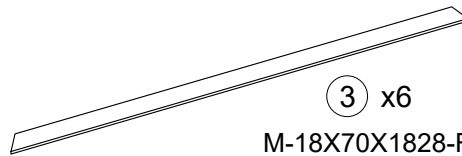
## 6. Grill / Camping / Sauna Cabin 9.2 FLOORS FINISHING BOARDS



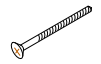
① x6  
M-18X70X1367  
or  
Spunt-28x70x1367



② x6  
M-18X70X404-F  
or  
Spunt-28x70x404-F

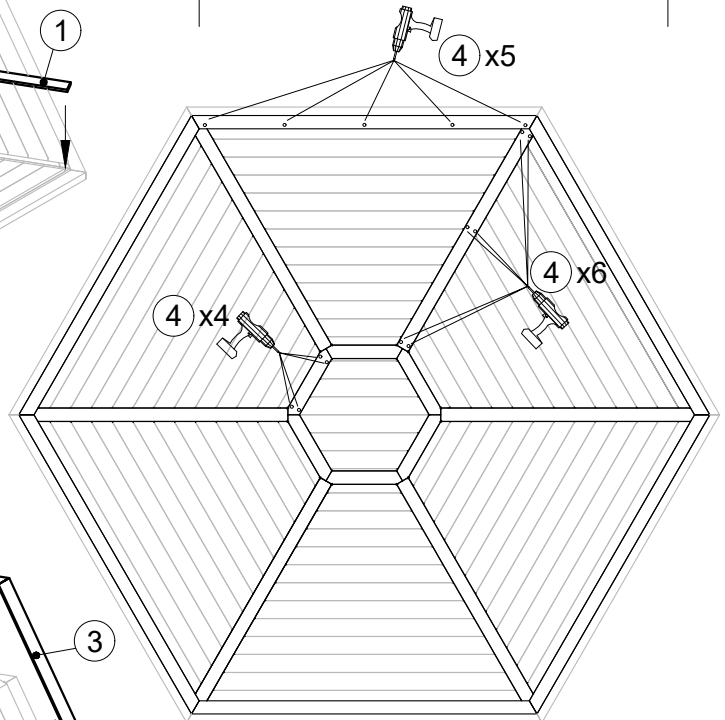
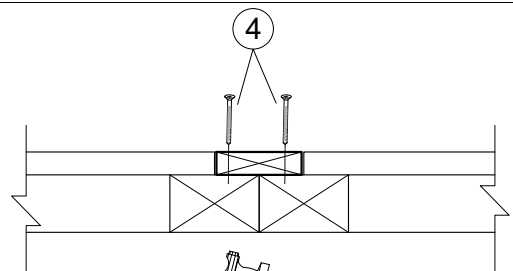
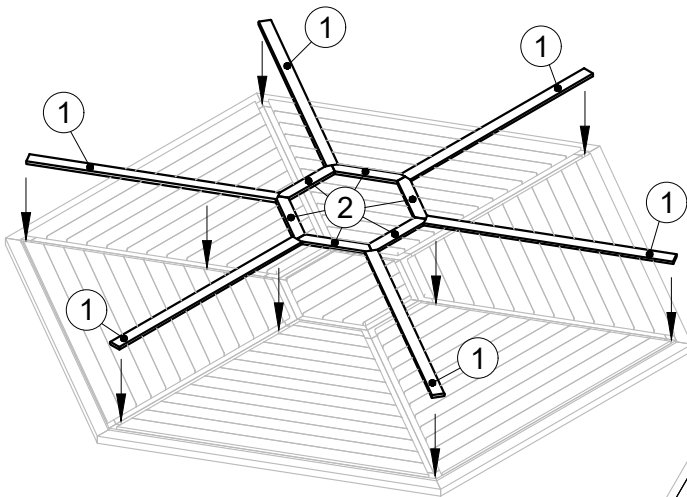


③ x6  
M-18X70X1828-F

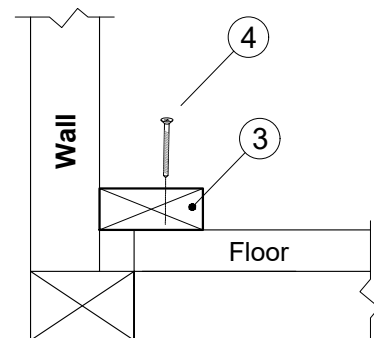
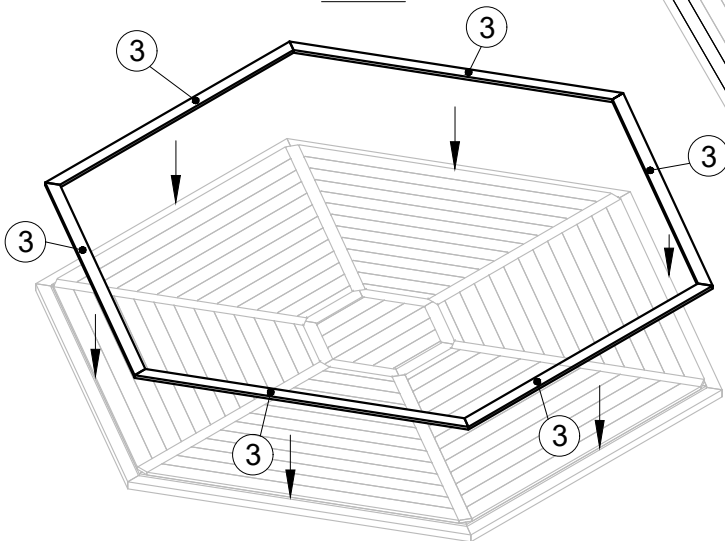


④ x90  
T-GC-3.5x45

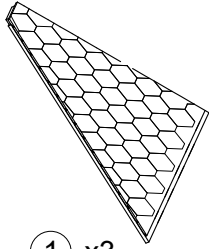
### 1 Step



### 2 Step

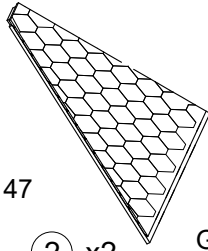


## 7. IF Sauna Cabin 9.2 WITH CHANGING ROOM



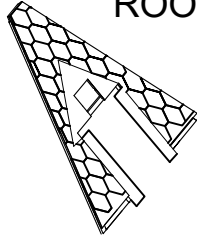
① x3

GR9.2-I-Stog-2022X2147  
INSULATED ROOF



② x2

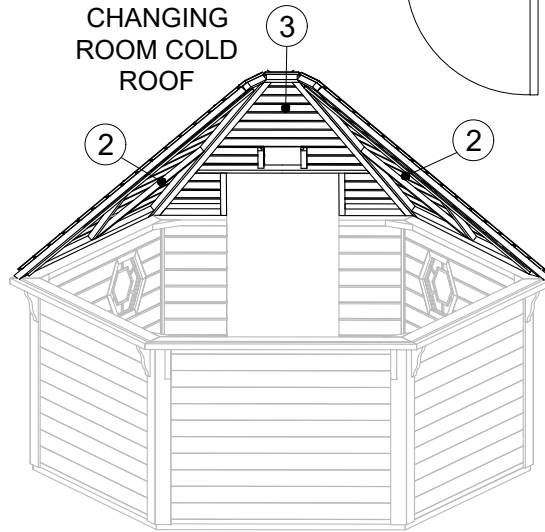
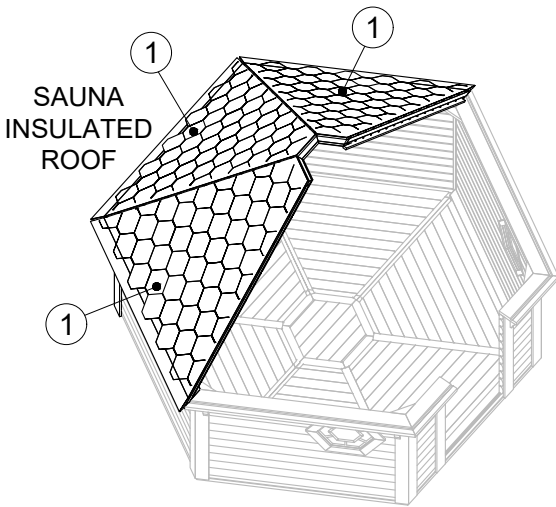
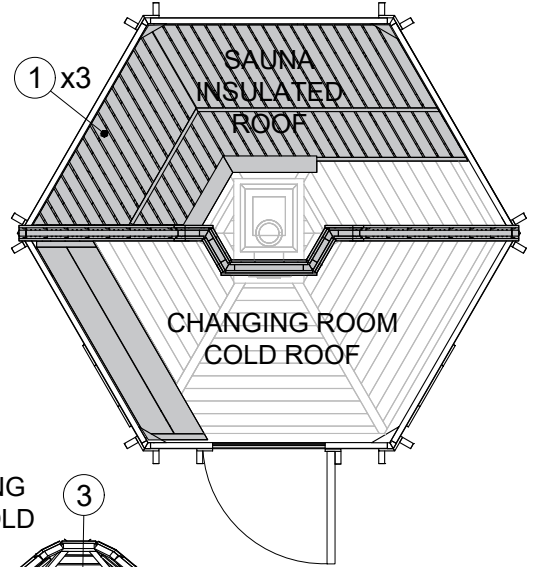
GR9.2-Stog-2022X2147  
COLD ROOF



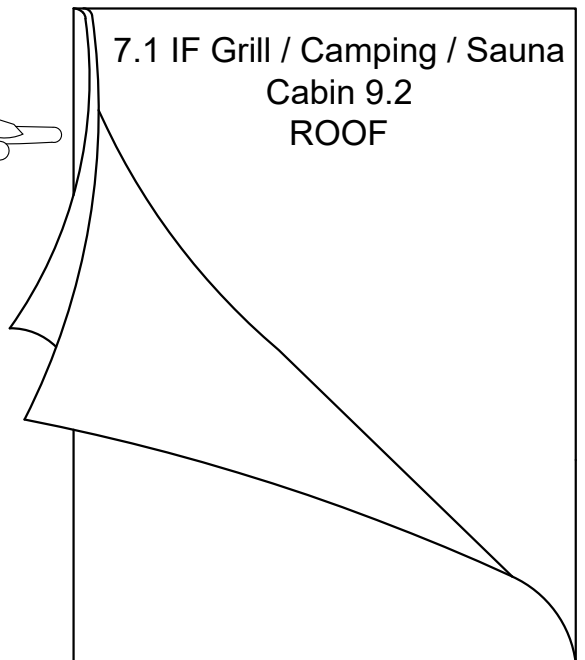
③ x1

GR9.2-StogD-2022X2147  
COLD ROOF

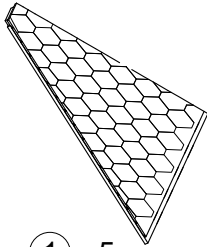
④ x78  
T-GC-5x80



7.1 IF Grill / Camping / Sauna Cabin 9.2 ROOF

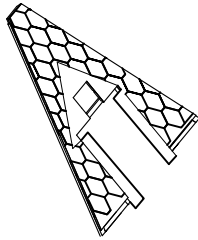


## 7.1 Grill / Camping Cabin 9.2 ROOF



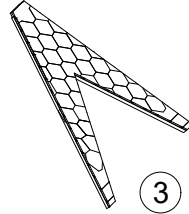
① x5

GR9.2-Stog-2022X2147  
or  
GR9.2-I-Stog-2022X2147



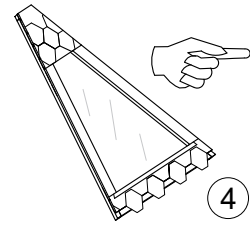
② x1

GR9.2-StogD-2022X2147  
or  
GR9.2-I-StogD-2022X2147



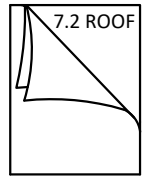
③

GR9.2-StogEX-2022X2147  
or  
GR9.2-I-StogEX-2022X2147



④

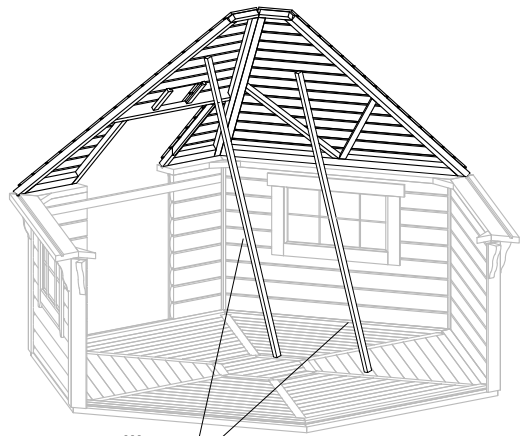
GR9.2-StogL-2022X2147  
or  
GR9.2-I-StogL-2022X2147



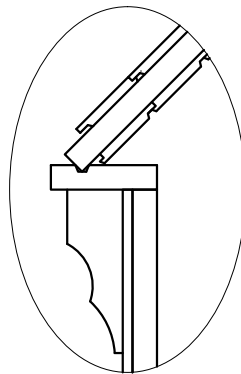
⑤ x78

T-GC-5x80

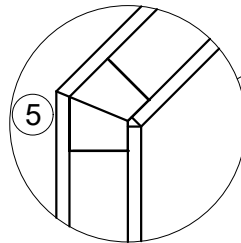
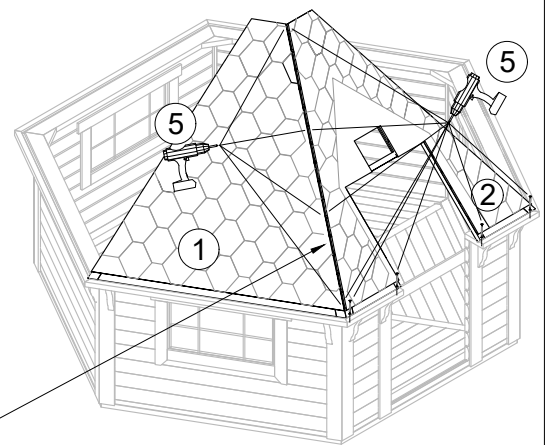
1 Step



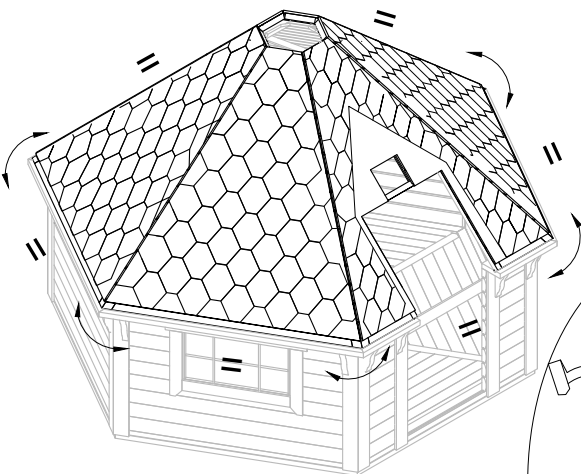
support pillars



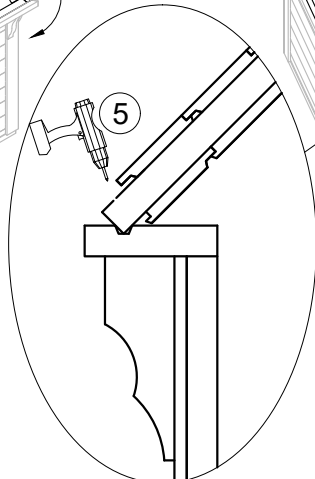
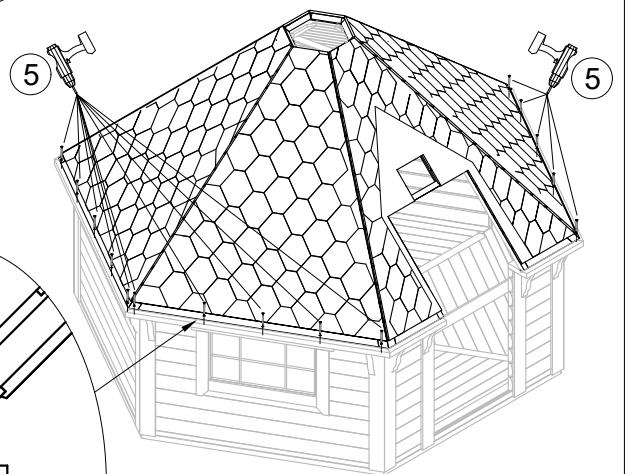
2 Step



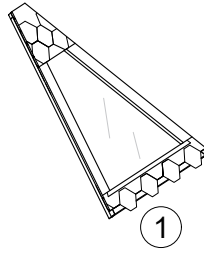
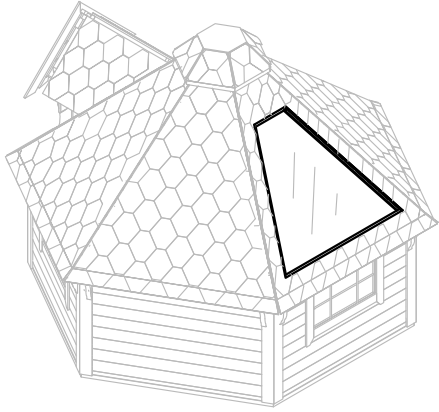
3 Step



4 Step



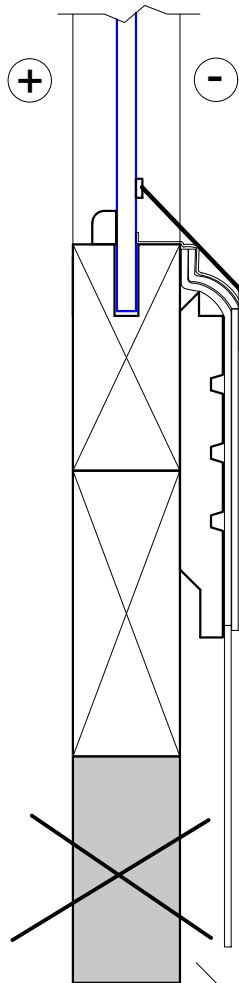
## 7.2 Grill / Camping / Sauna Cabin 9.2 ROOF



GR9.2-StogL-2022X2147  
or  
GR9.2-I-StogL-2022X2147

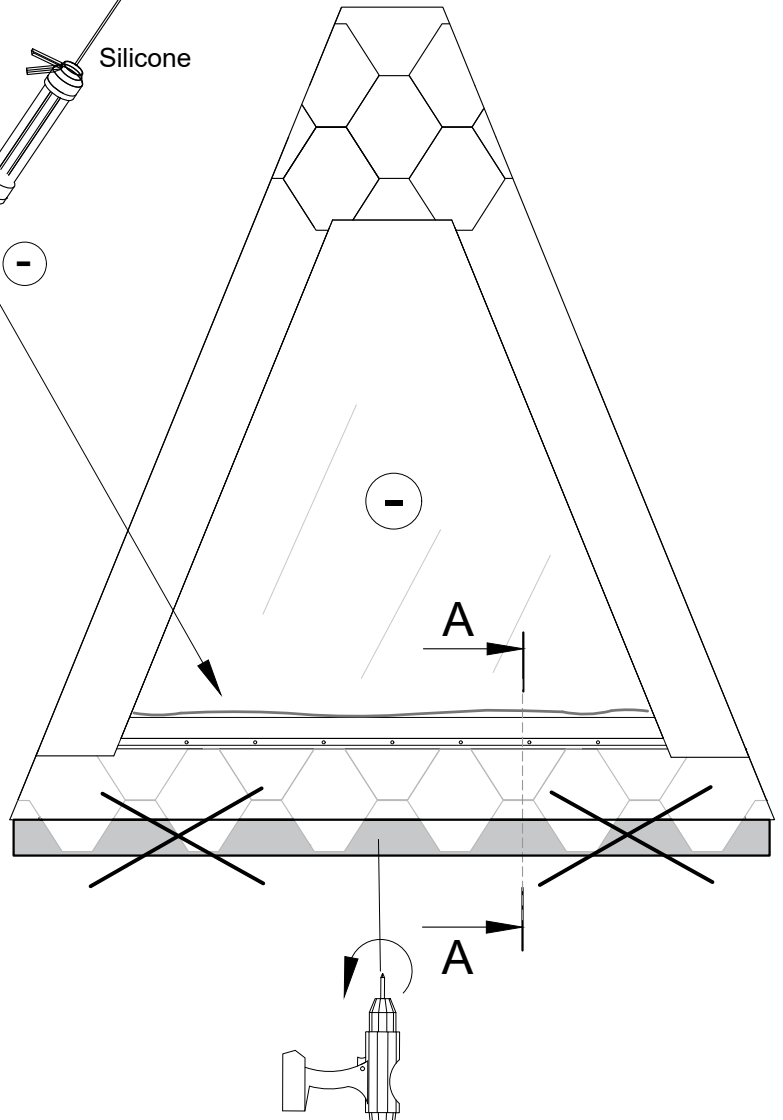
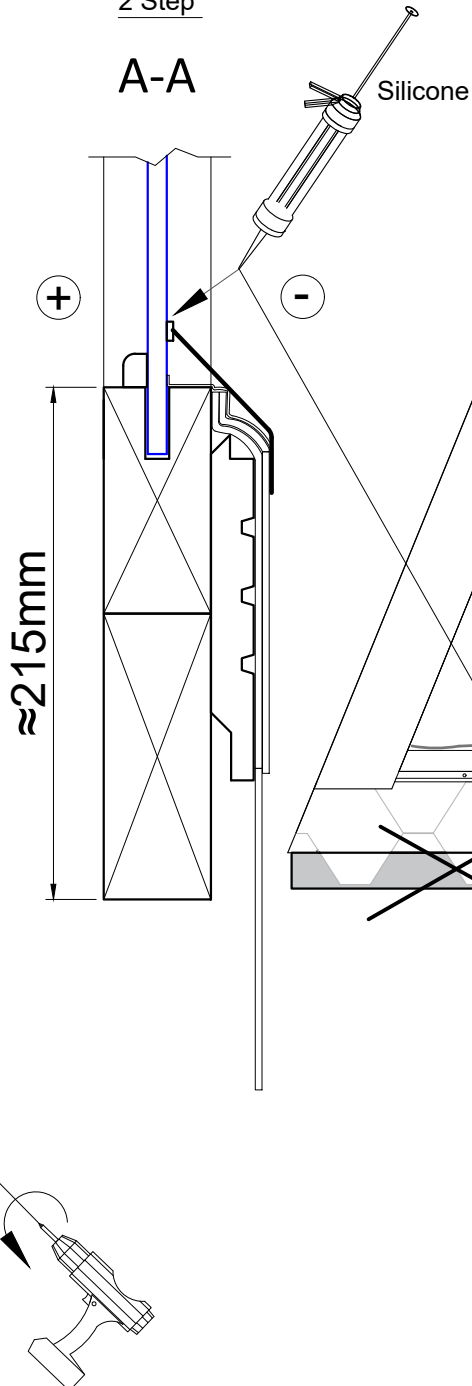
1 Step

A-A

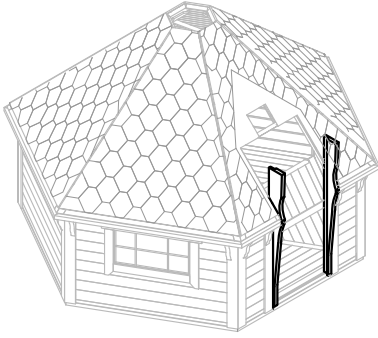


2 Step

A-A



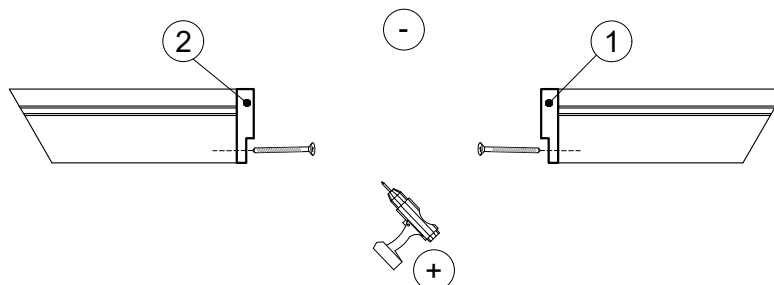
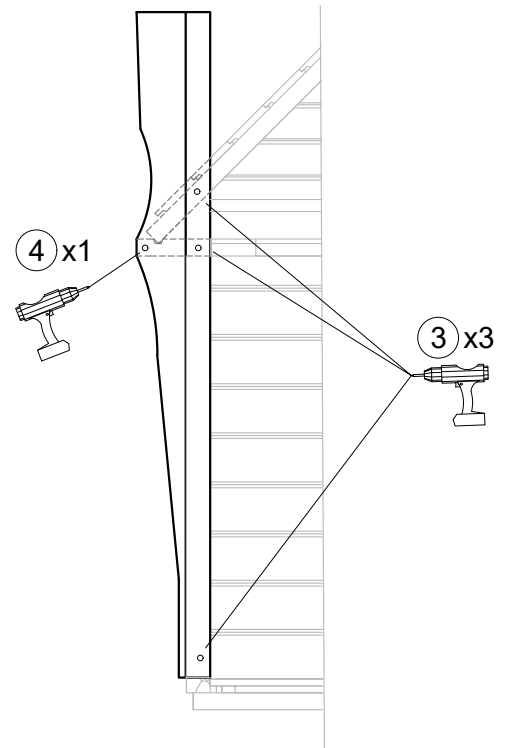
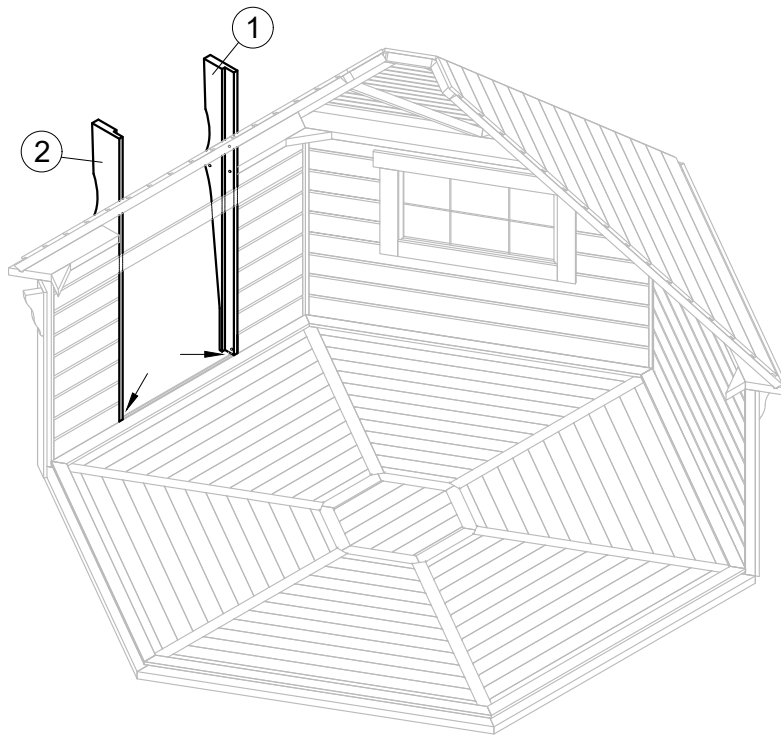
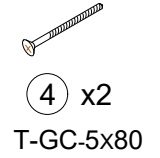
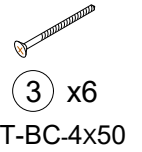
## 8. Grill / Camping / Sauna Cabin 9.2 ENTRANCE SUPPORT



M-45x195x1630-A850-CNC(k)  
or  
M-45x195x1760-A850-CNC(k)  
or  
M-45x195x1890A-850-CNC(k)

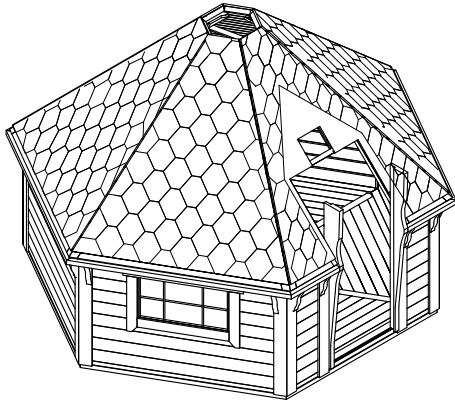


M-45x195x1630-A850-CNC(d)  
or  
M-45x195x1760-A850-CNC(d)  
or  
M-45x195x1890-A850-CNC(d)

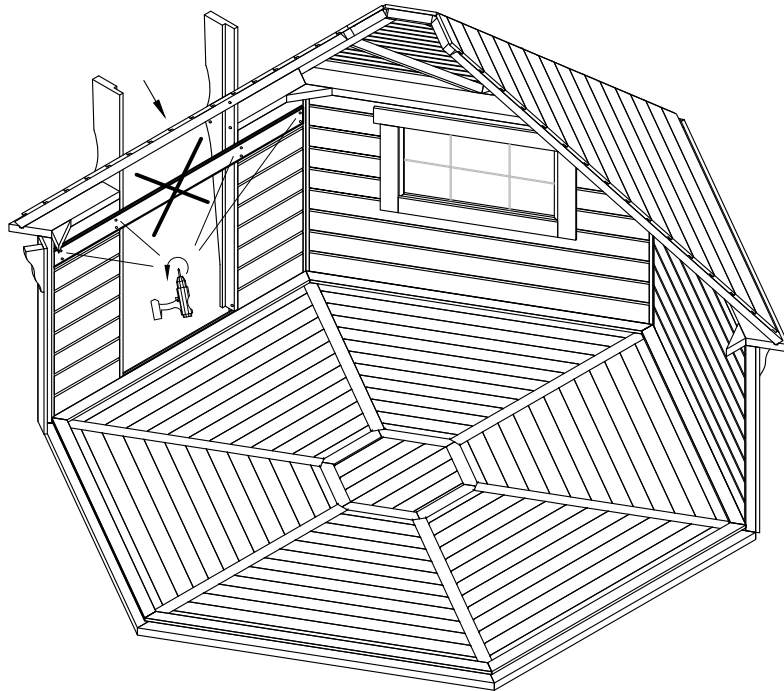




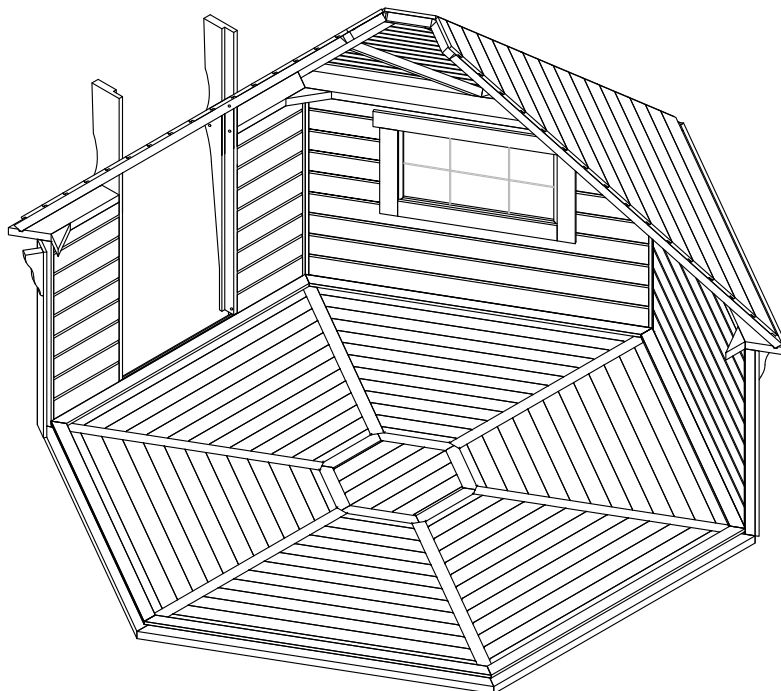
## 8.1 Grill / Camping / Sauna Cabin 9.2



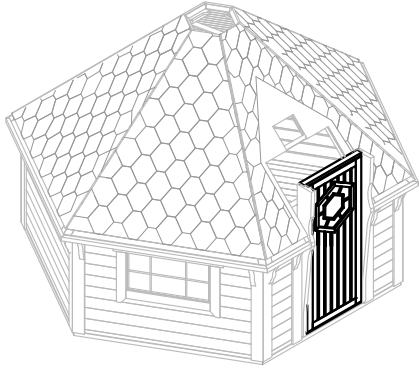
1 Step



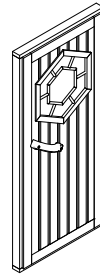
2 Step

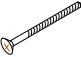


## 9. Grill / Camping / Sauna Cabin 9.2 OUTSIDE DOOR

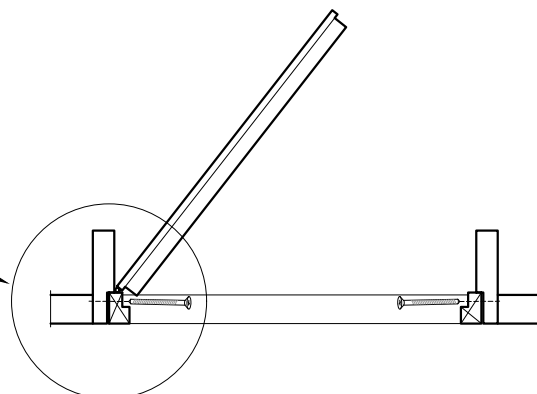
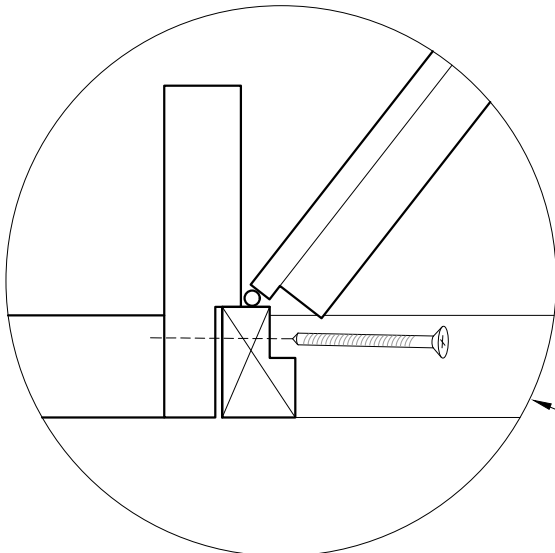
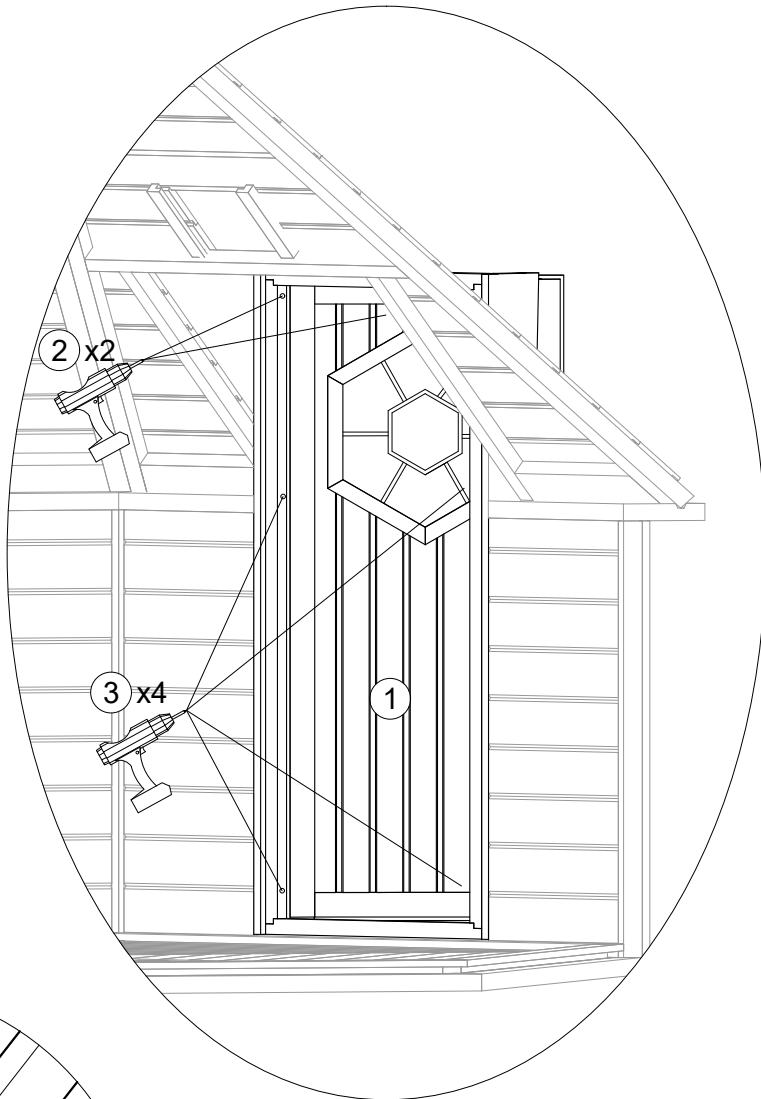


① x1  
PUS00013  
or  
PUS00060  
or  
PUS00317



 x2  
T-BC-4x50

 x4  
T-GC-5x100



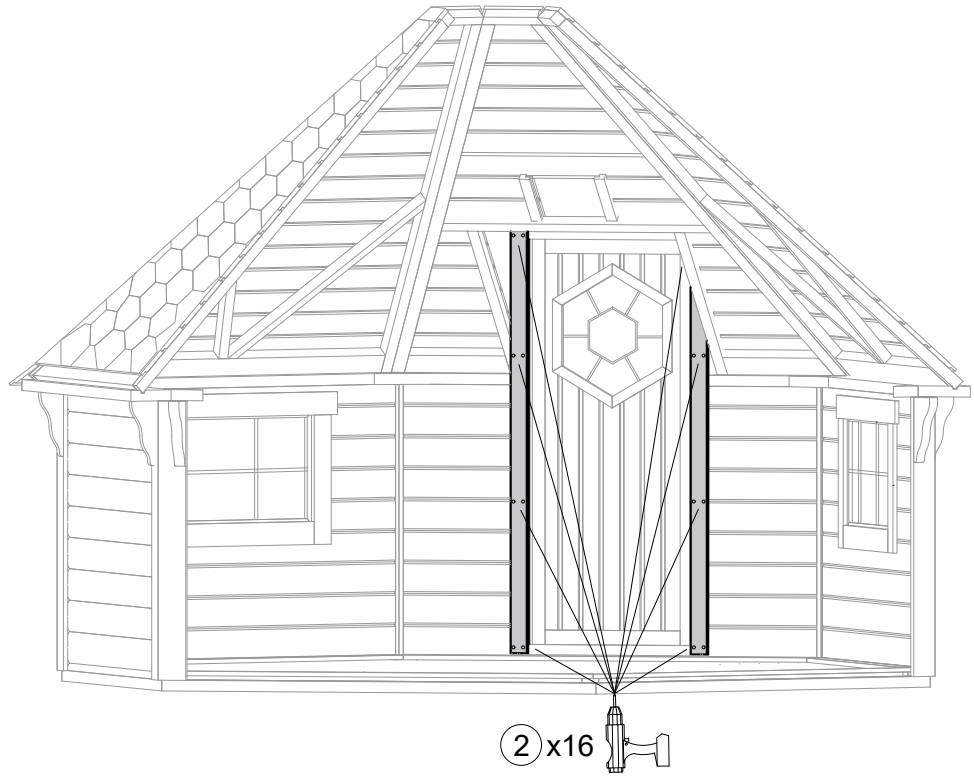
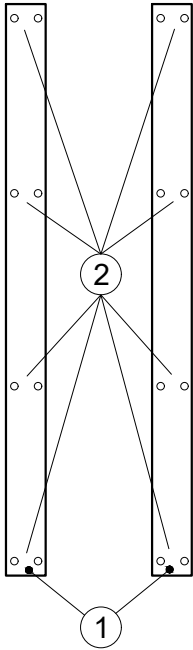


# 9.1 Grill / Camping / Sauna Cabin 9.2 INSIDE FINISHING BOARD

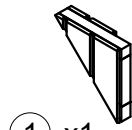
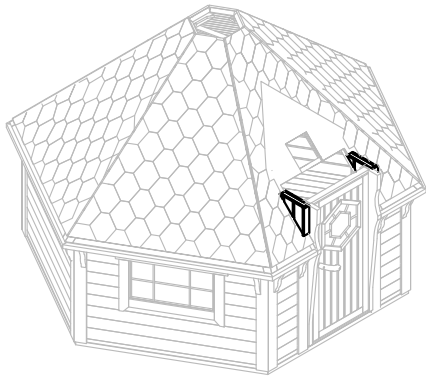
① x2  
M-18x70x1624  
or  
M-18x70x1754  
or  
M-18x70x1884



② x16  
T-GC-3.5x45



# 10. Grill / Camping / Sauna Cabin 9.2 ENTRANCE ASSEMBLY



① x1

GR-trikamp-313x331-(k)



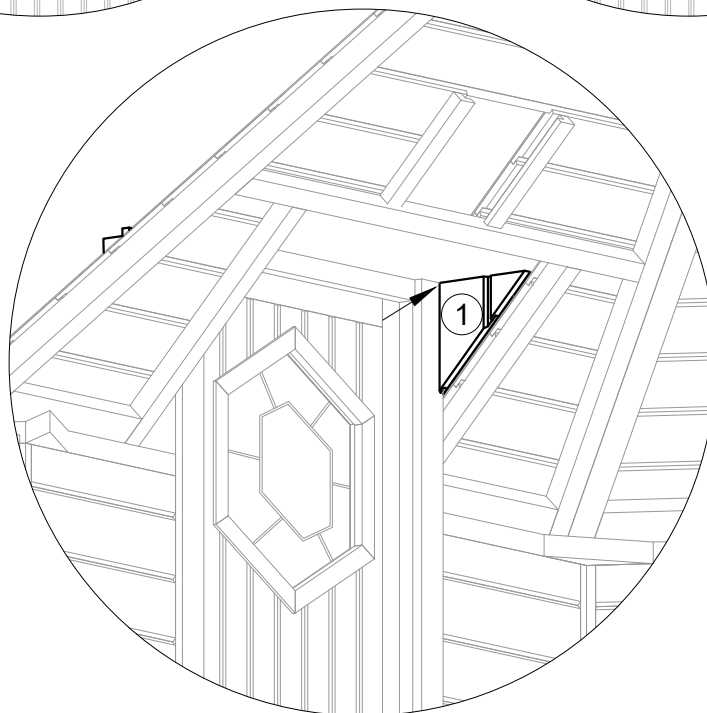
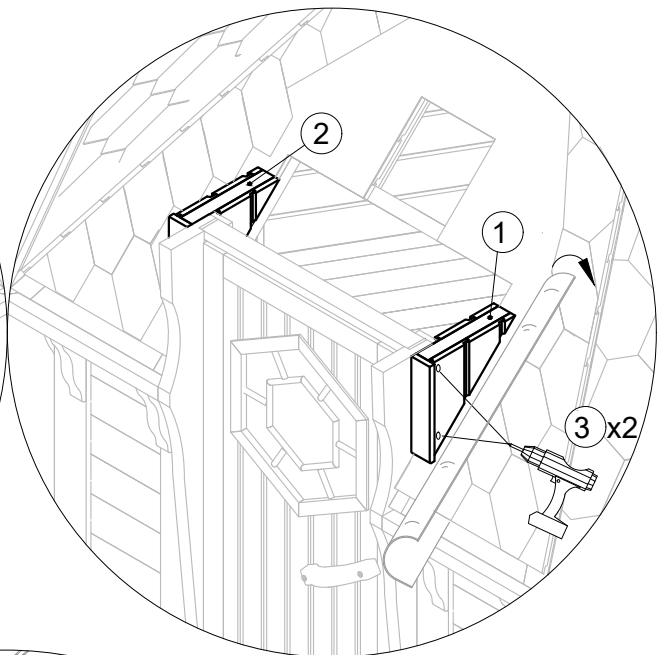
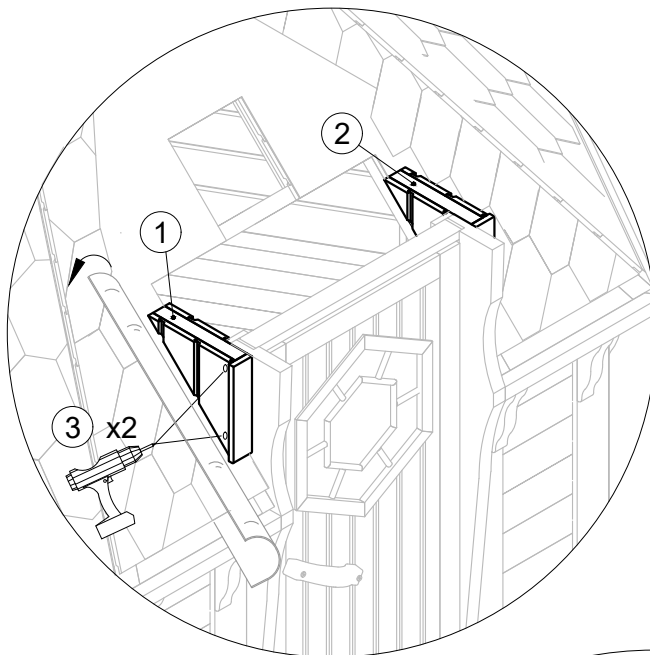
② x1

GR-trikamp-313x331-(d)

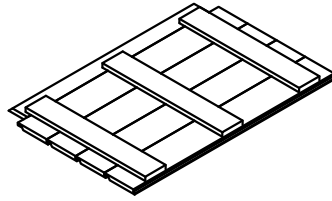
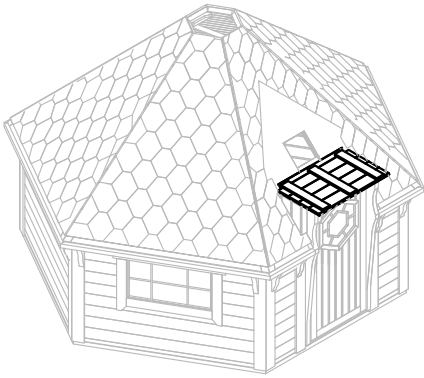


③ x4

T-GC-5x100



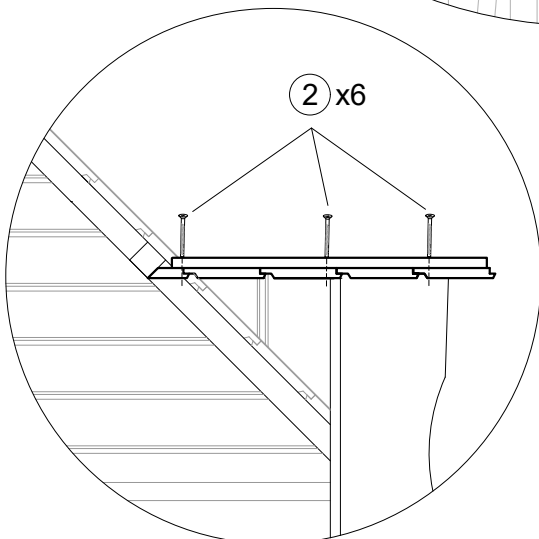
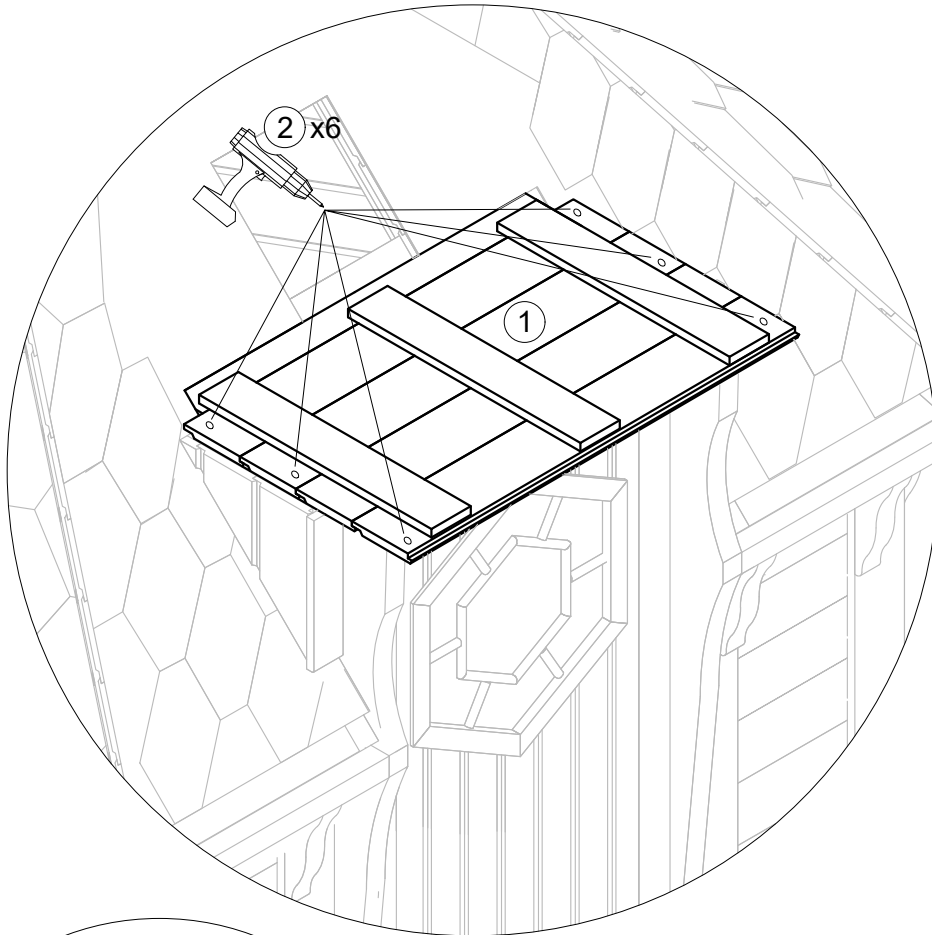
# 10.1 Grill / Camping / Sauna Cabin 9.2 ENTRANCE ASSEMBLY



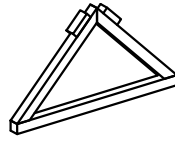
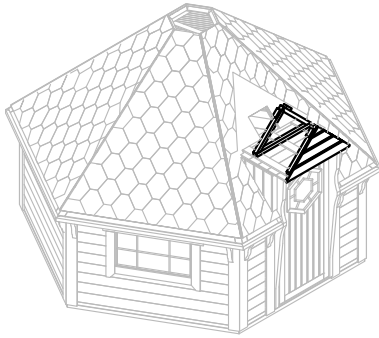
① x1  
GR-lubos-636x939



② x6  
T-GC-4x70

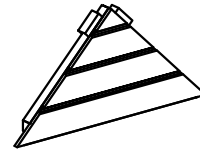


## 10.2 Grill / Camping / Sauna Cabin 9.2 ENTRANCE ASSEMBLY



① x1

GR-Stog-trik-453x815



② x1

GR-Pr-trik-491x981



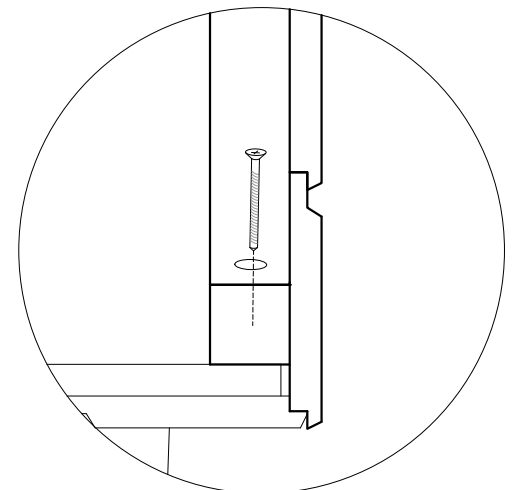
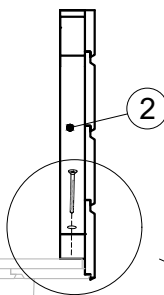
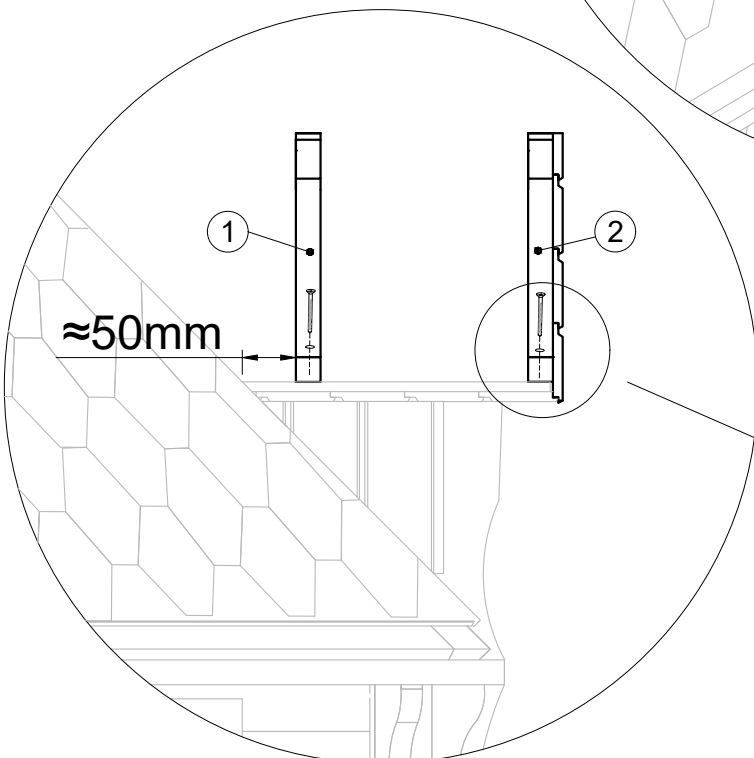
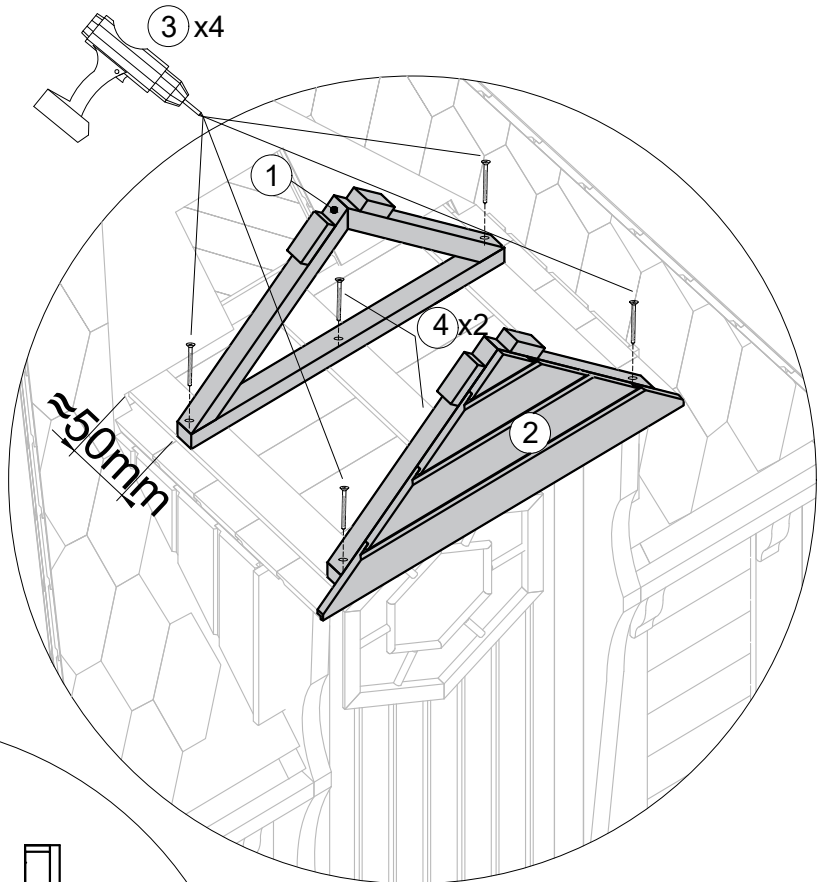
③ x4

T-GC-5x100

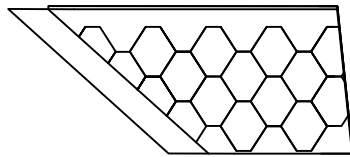
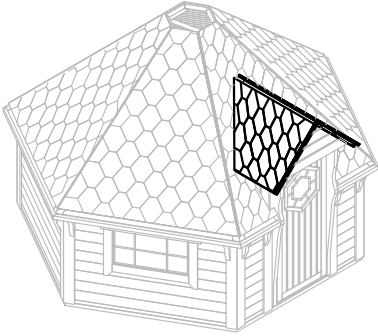


④ x2

T-GC-4x70

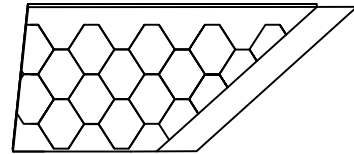


# 10.3 Grill / Camping / Sauna Cabin 9.2 ENTRANCE ASSEMBLY



① x1

GR-Stog-845x1090-(k)



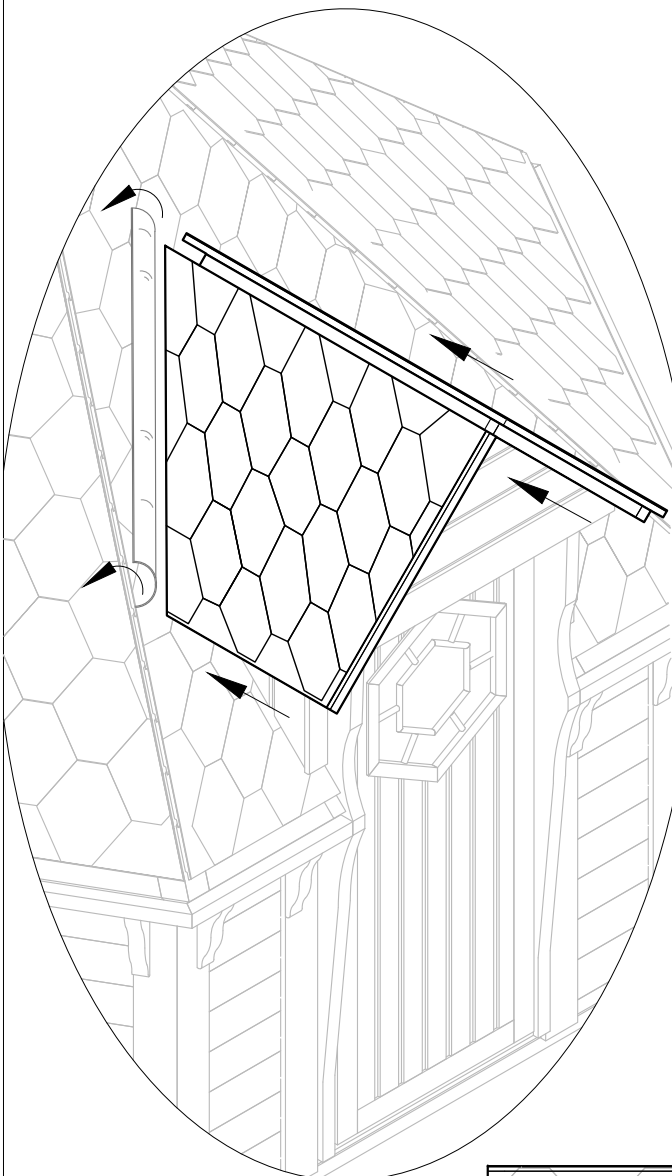
② x1

GR-Stog-845x1090-(d)

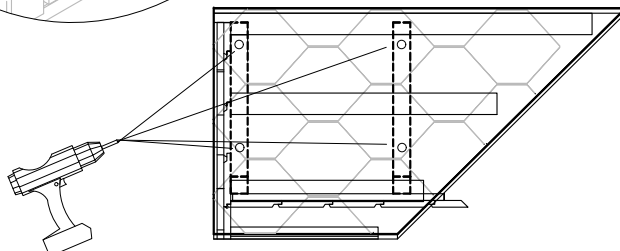
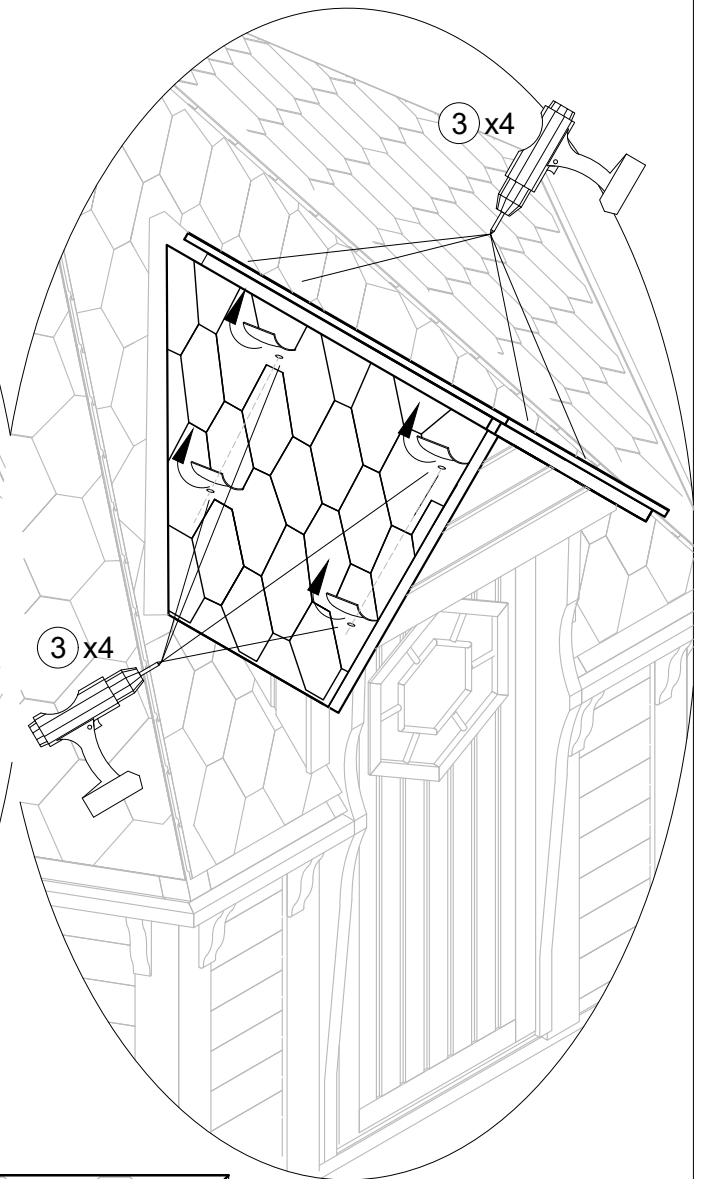


③ x8  
T-GC-5x80

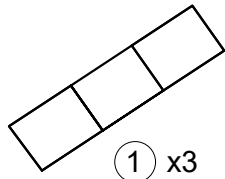
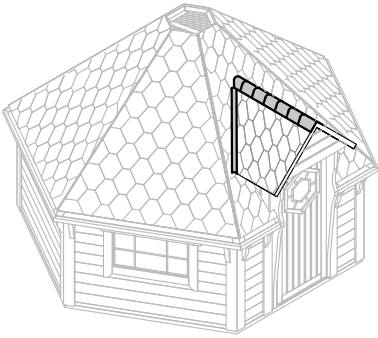
1 Step



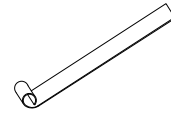
2 Step



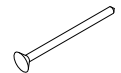
# 10.4 Grill / Camping / Sauna Cabin 9.2 ENTRANCE ASSEMBLY



Bitumines-  
cerpes-3x250x1000

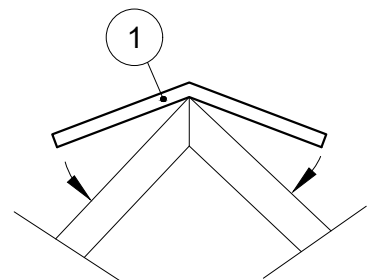
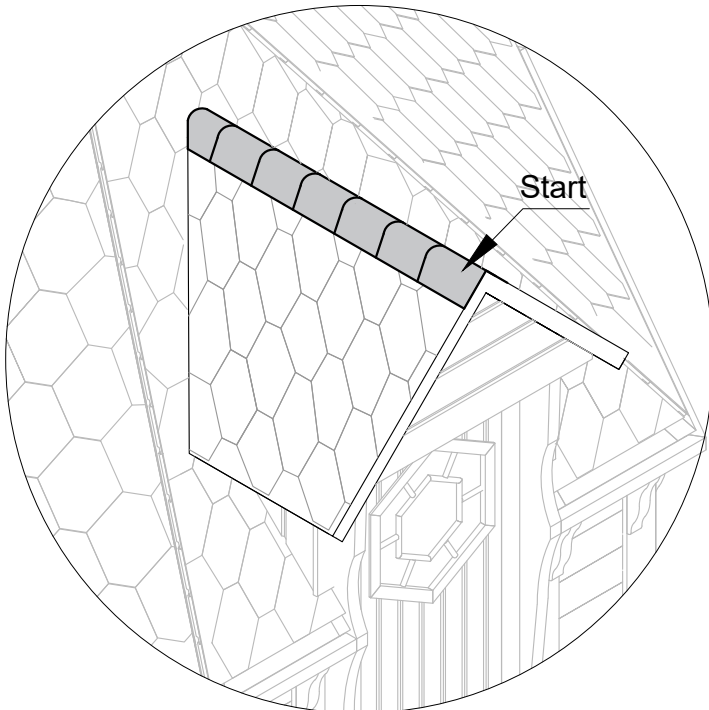


Bitumine-  
juosta-3x70x1360

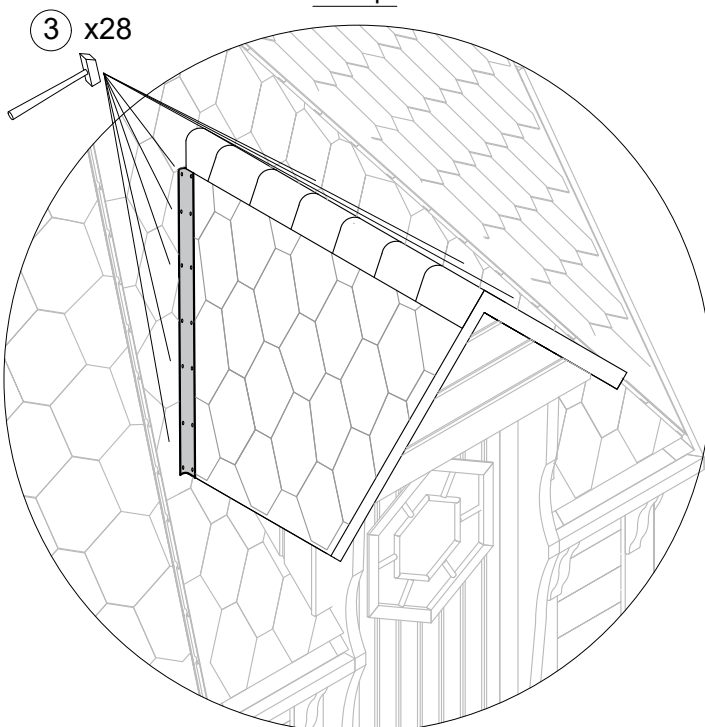


T-V-2x20

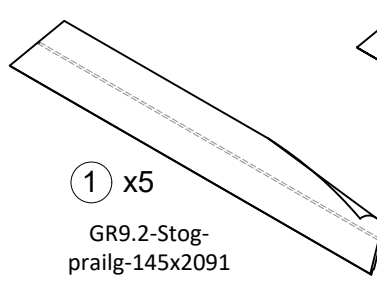
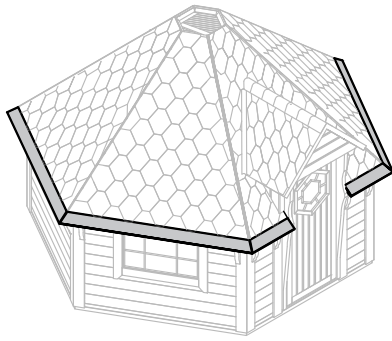
## 1 Step



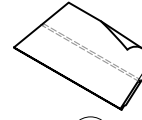
## 2 Step



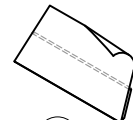
# 11. Grill / Camping / Sauna Cabin 9.2 ROOF FINISHING



① x5  
GR9.2-Stog-  
prailg-145x2091



② x1  
GR9.2-Stog-  
prailg-145x613-(k)

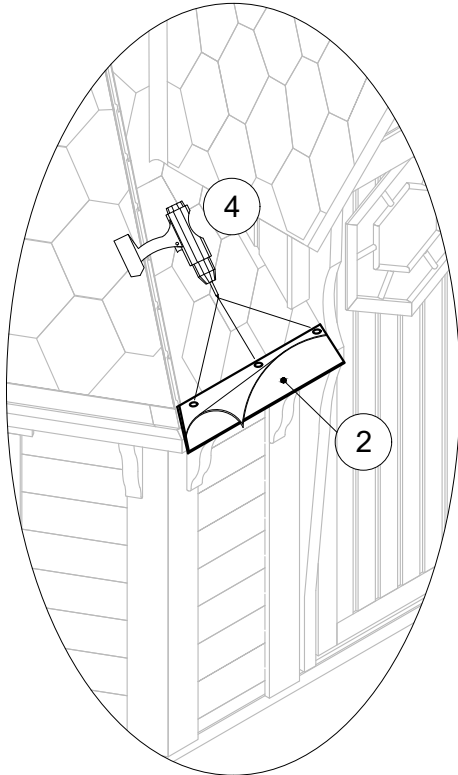


③ x1  
GR9.2-Stog-  
prailg-145x613-(d)

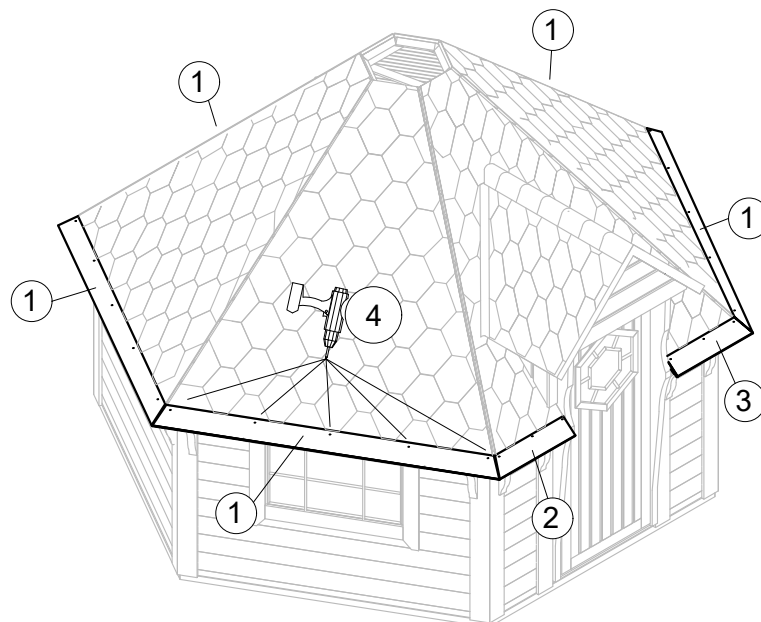
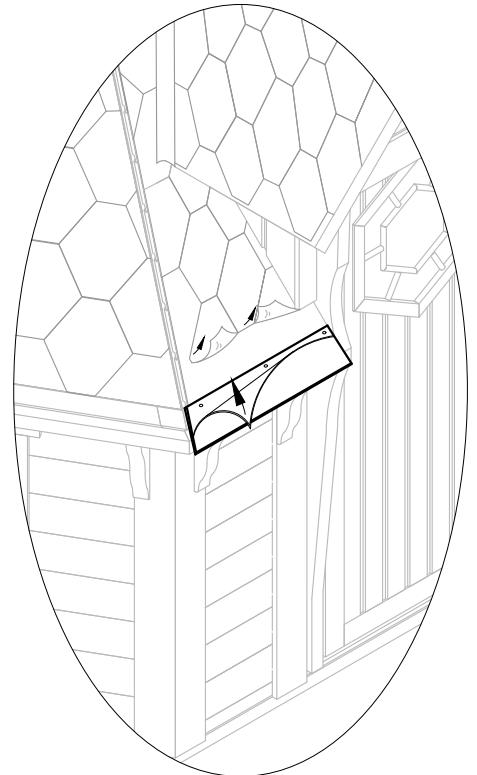
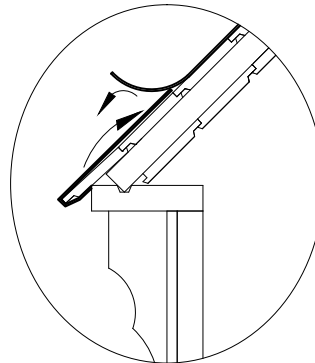
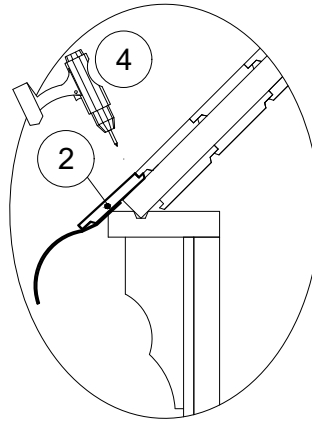


④ x31  
T-BC-4x50

1 Step

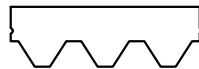
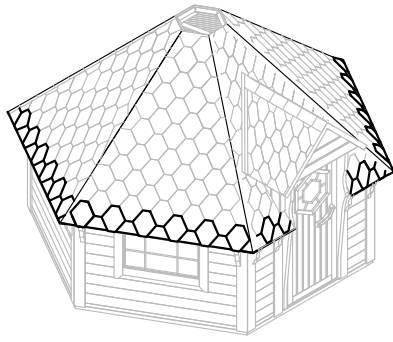


2 Step



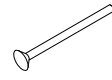


# 11.1 Grill / Camping / Sauna Cabin 9.2 ROOF FINISHING



① x13

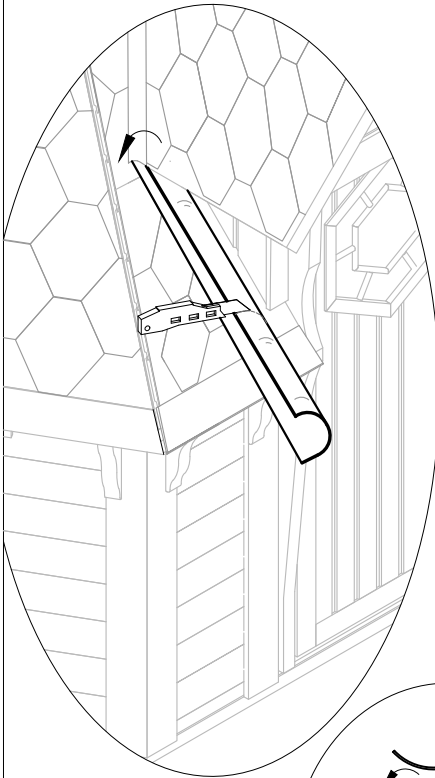
Bituminos-cerpes  
-3x317x1000



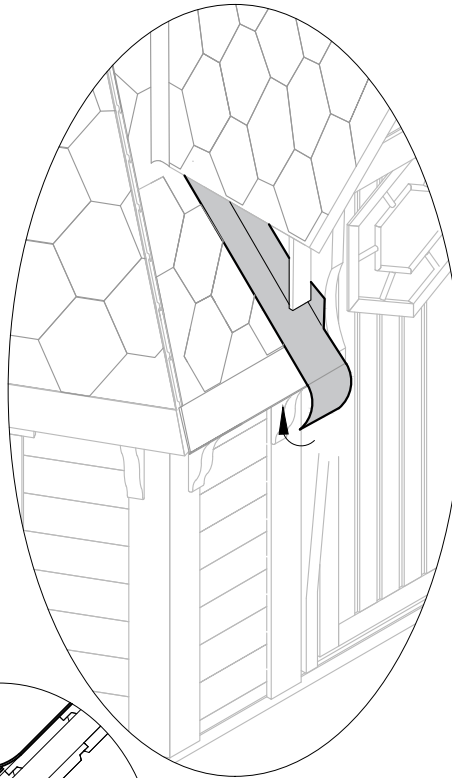
② x 150

T-V-2x20

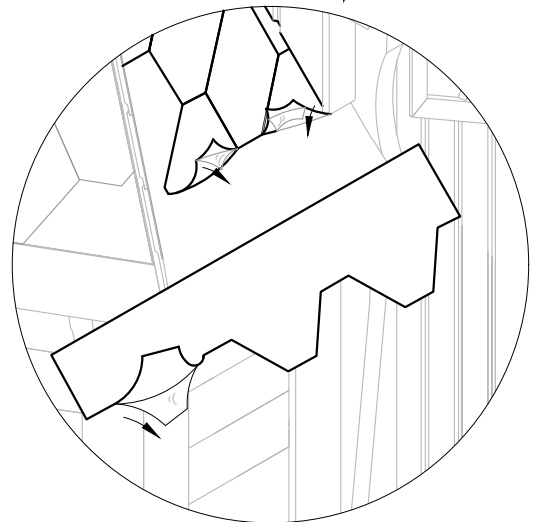
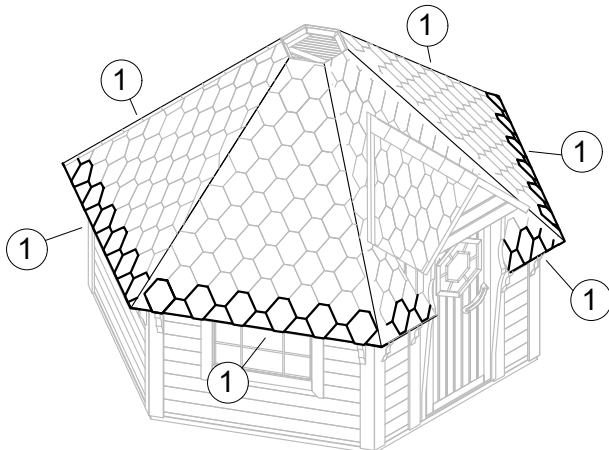
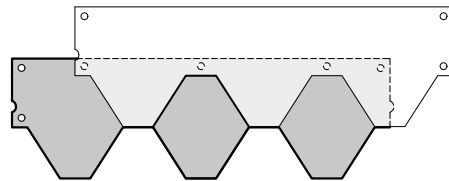
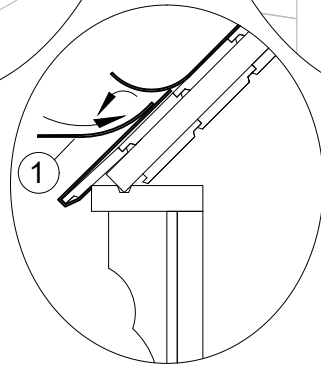
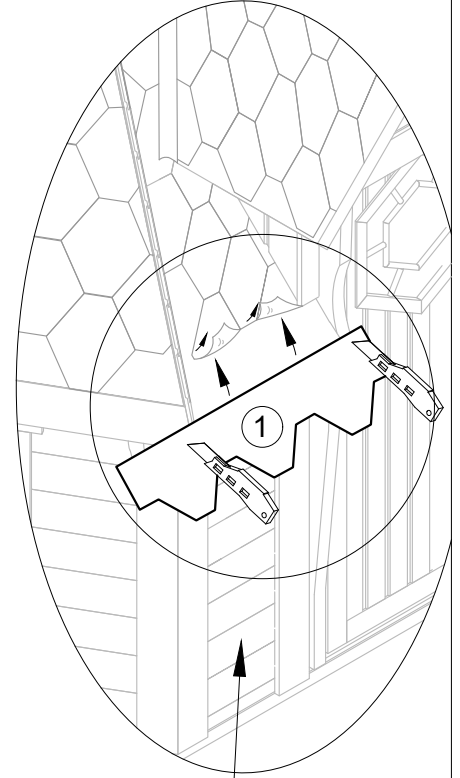
1 Step



2 Step

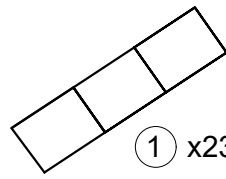


3 Step



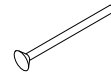


# 11.2 Grill / Camping / Sauna Cabin 9.2 ROOF FINISHING



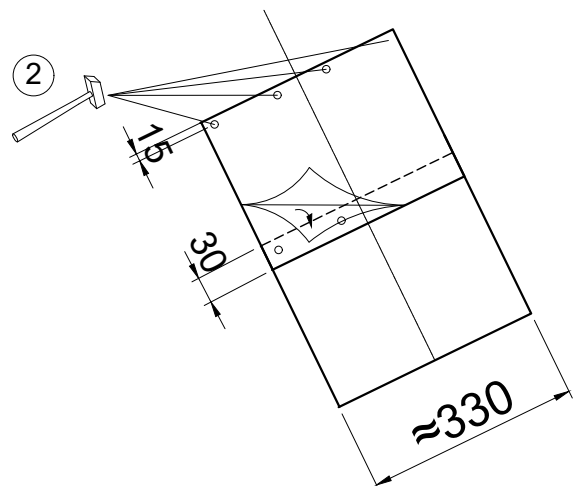
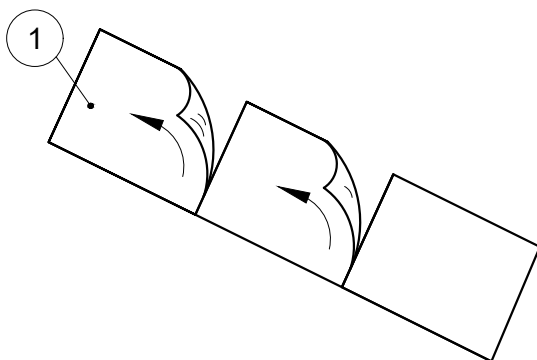
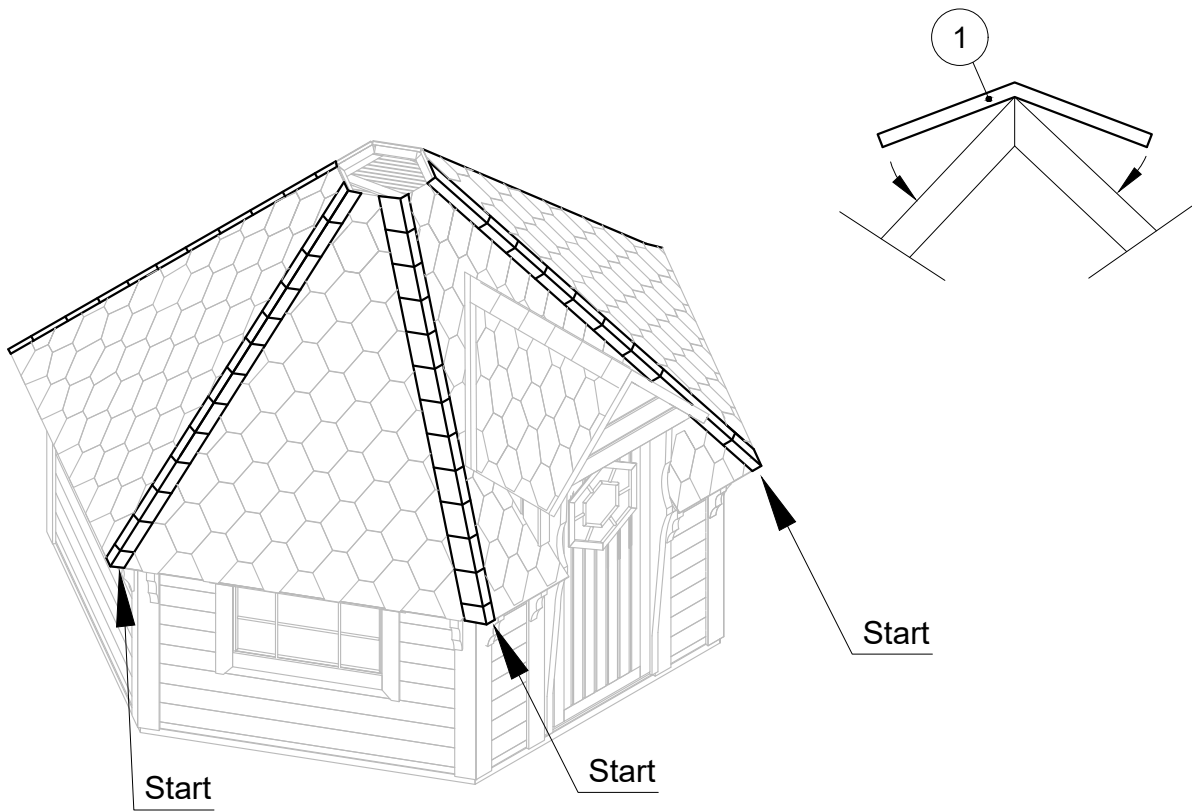
① x23

Bitumines-  
cerpes-3x250x1000

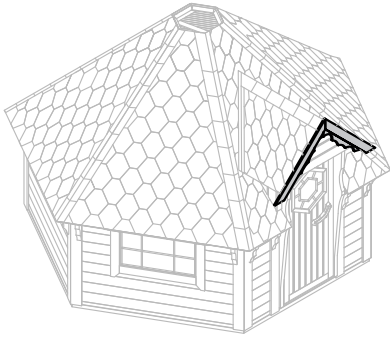


② x 340

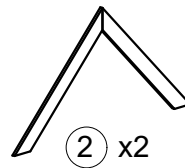
T-V-2x20



## 12. Grill / Camping / Sauna Cabin 9.2 OUTSIDE FINISHING BOARD



① x2  
M-18x95x820-CNC

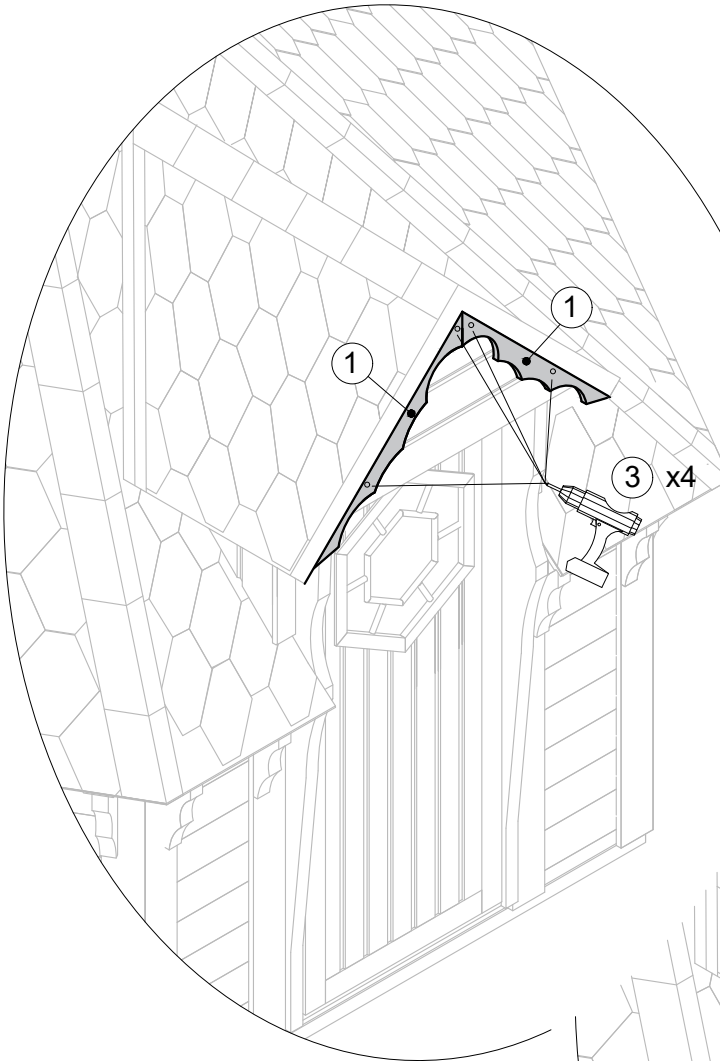


② x2  
M-18x95x1050-F

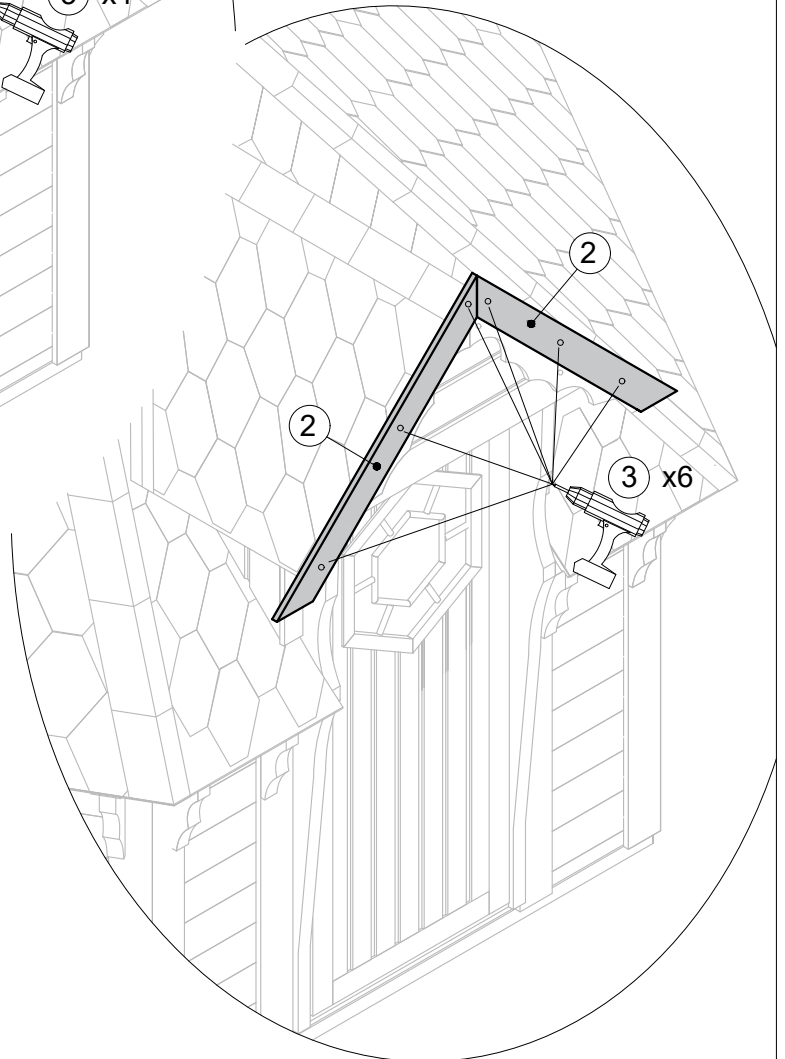


③ x10  
T-GC-3.5x45

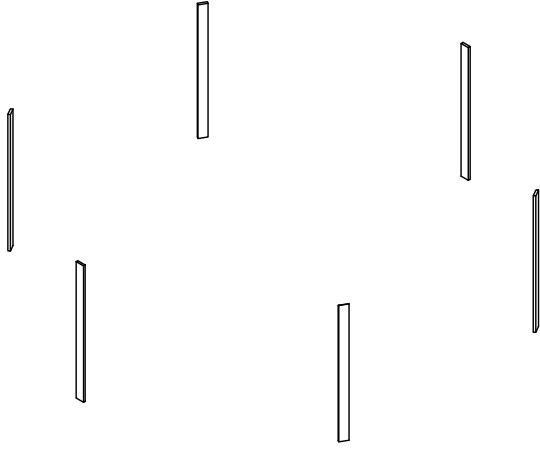
### 1 Step



### 2 Step



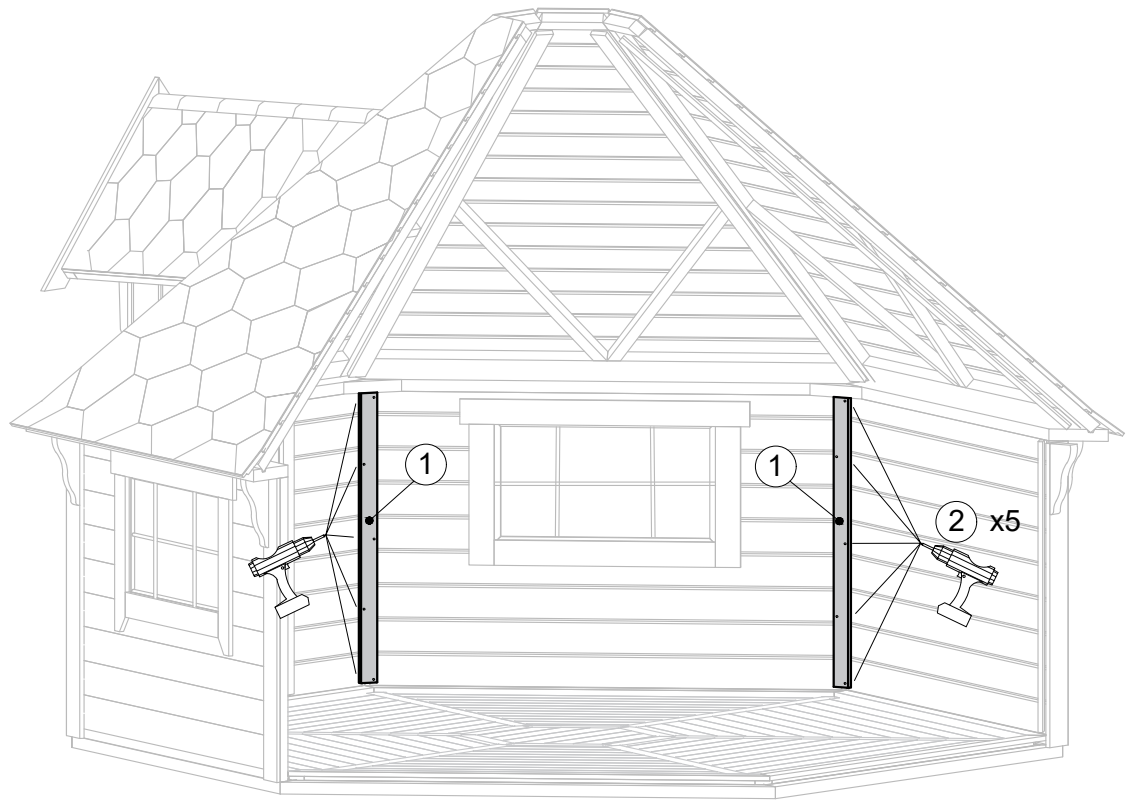
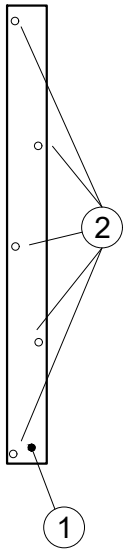
### 13. Grill / Camping / Sauna Cabin 9.2 INSIDE FINISHING BOARD



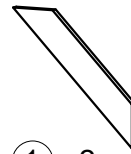
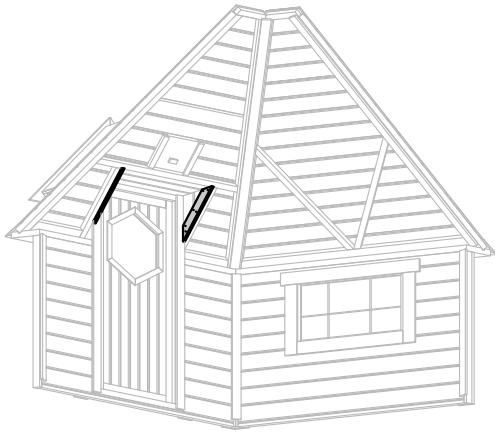
① x6  
M-18x70x1105  
or  
M-18x70x1235  
or  
M-18x70x1365



② x36  
T-GC-3.5x45



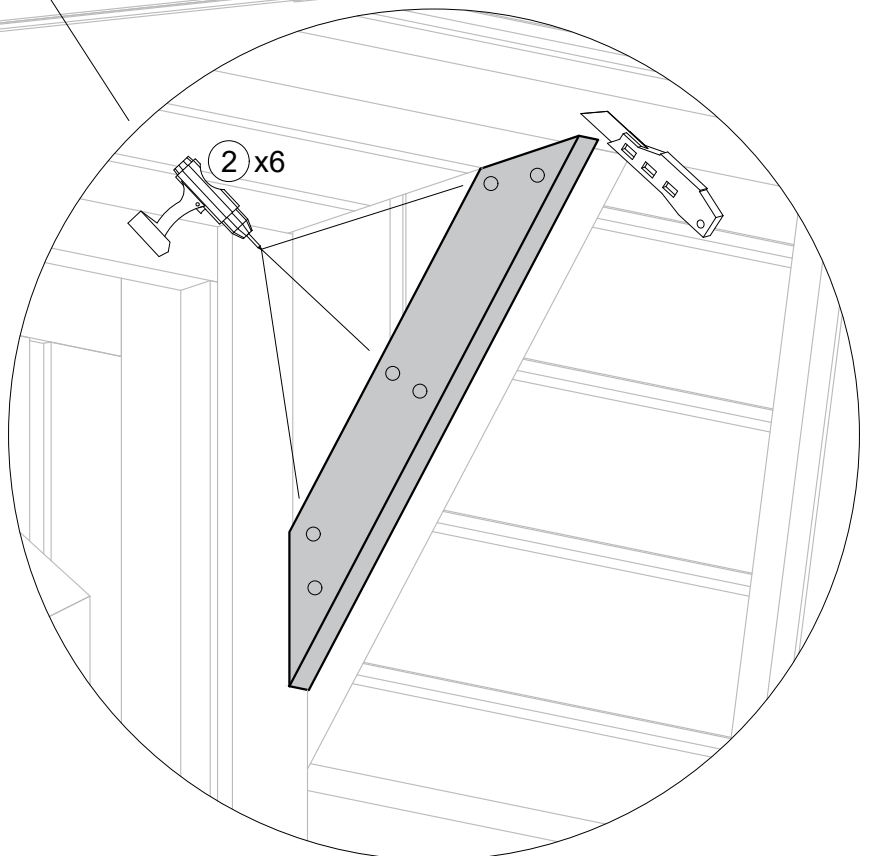
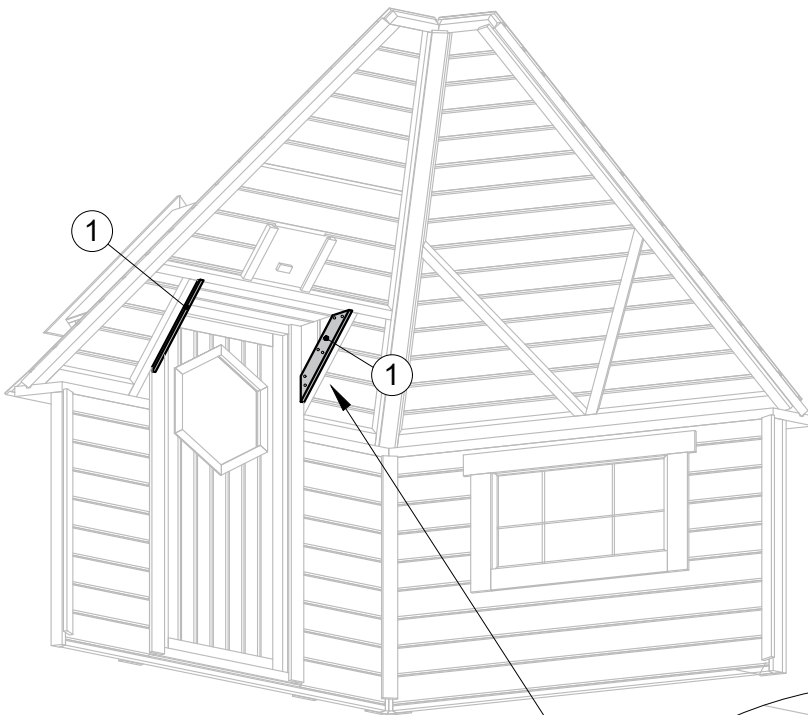
13.1 Grill / Camping / Sauna Cabin 9.2  
INSIDE FINISHING BOARD



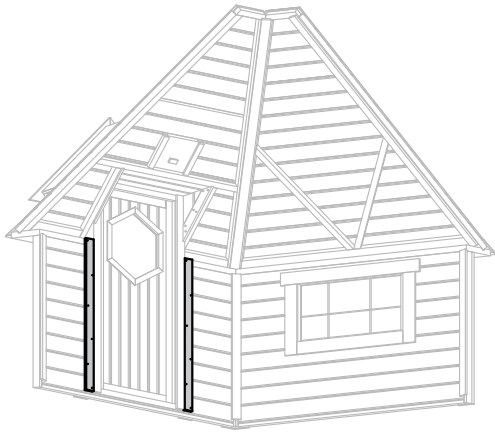
① x2  
M-18x83x488-F



② x12  
T-GC-3.5x45



13.2 Grill / Camping / Sauna Cabin 9.2  
INSIDE FINISHING BOARD



① x2

M-18x70x1150

or

M-18x70x1280

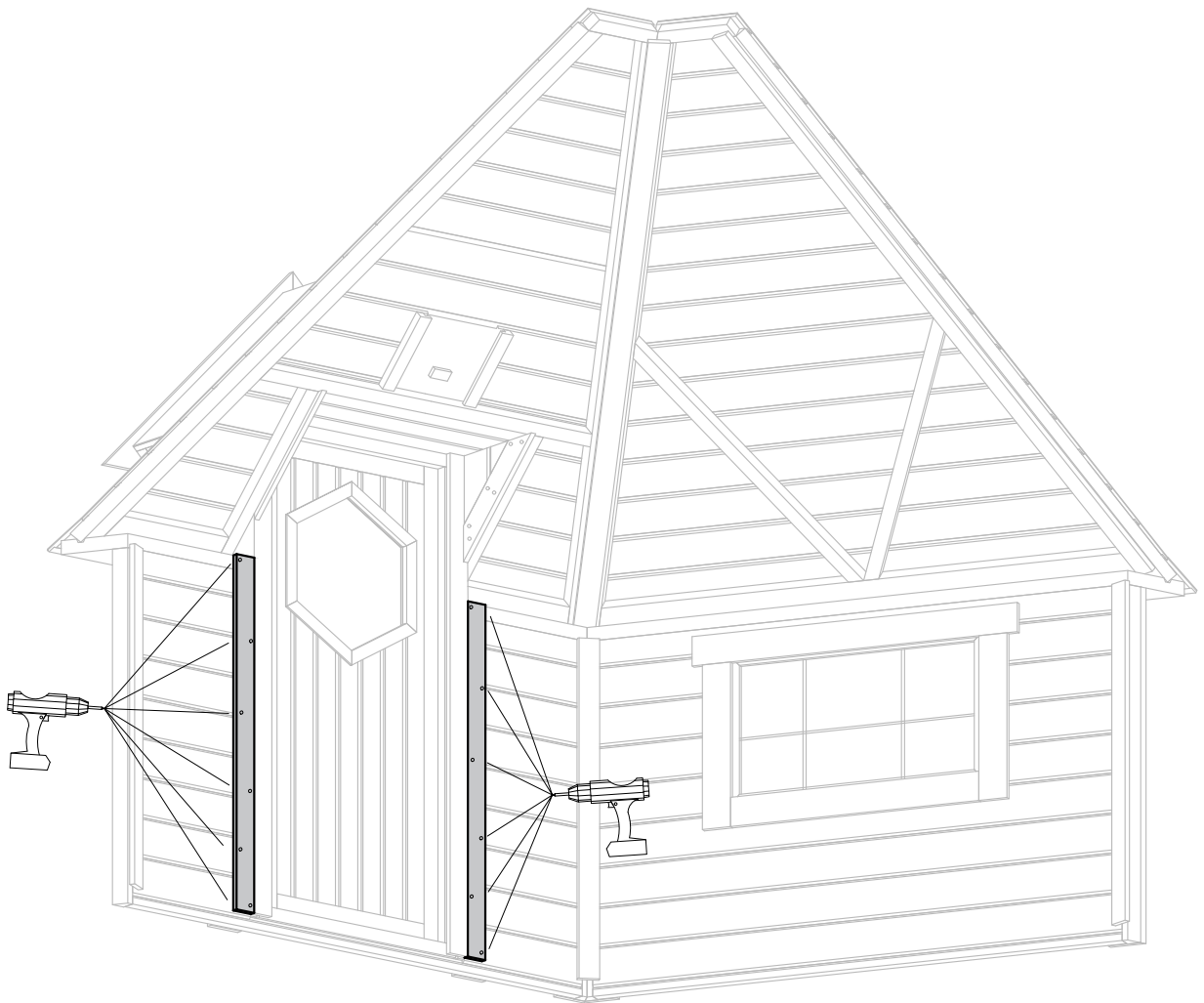
or

M-18x70x1410

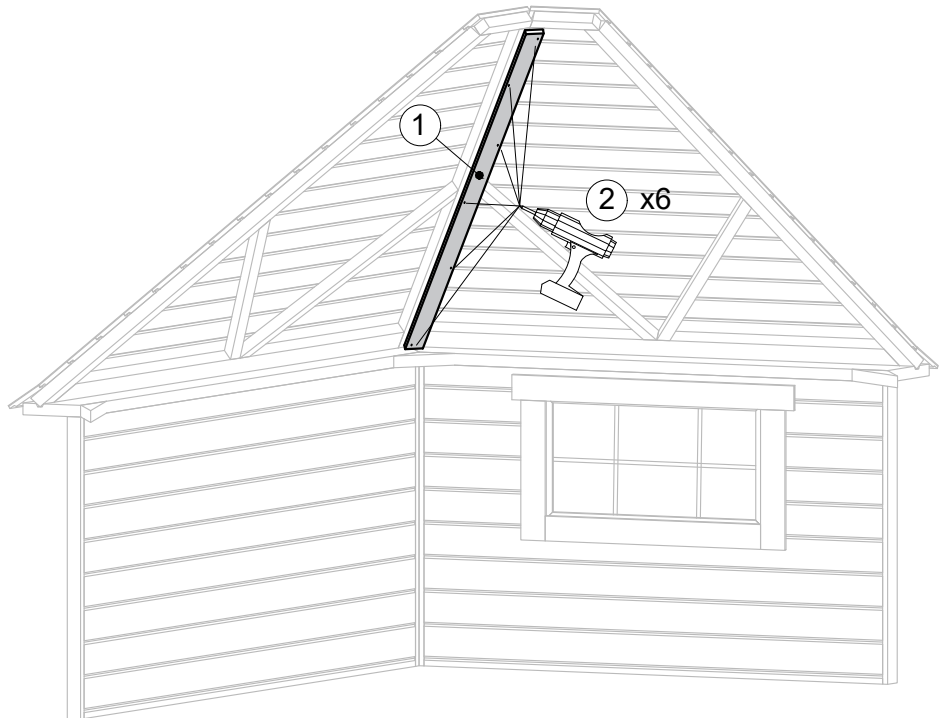
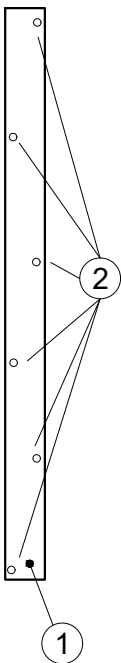
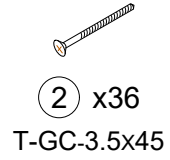
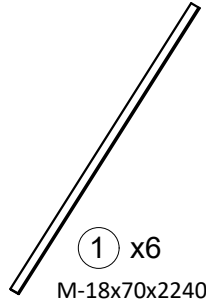
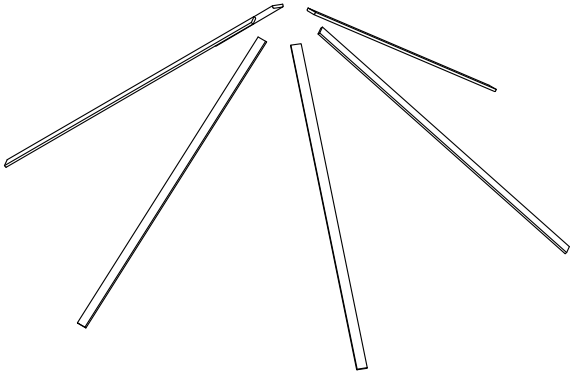


② x12

T-GC-3.5x45



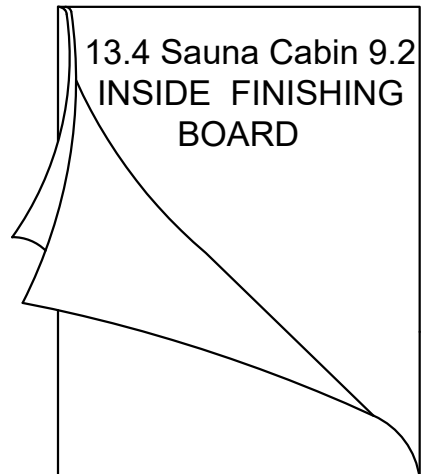
13.3 Grill / Camping / Sauna Cabin 9.2  
INSIDE FINISHING BOARD



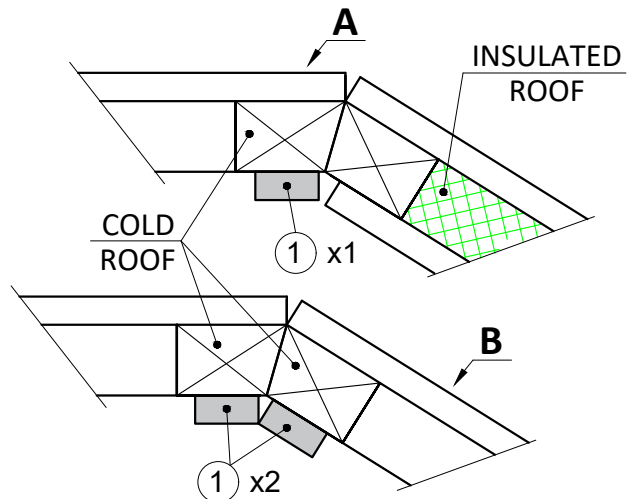
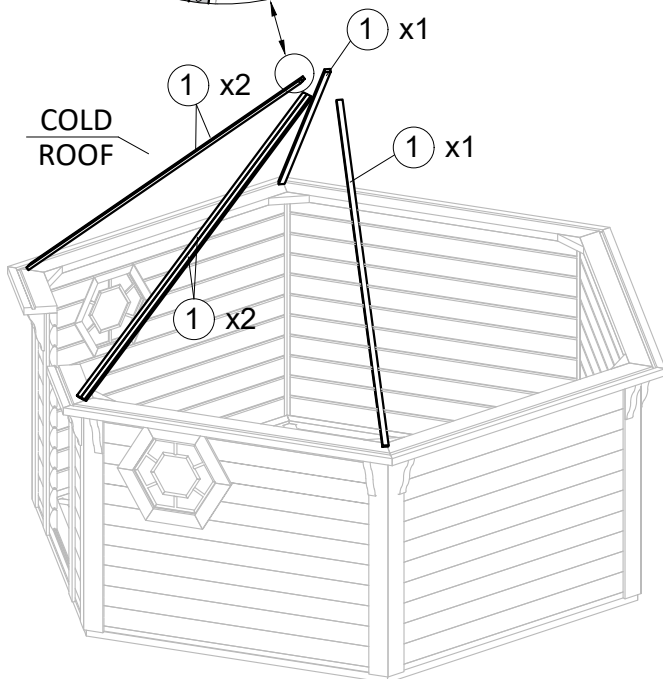
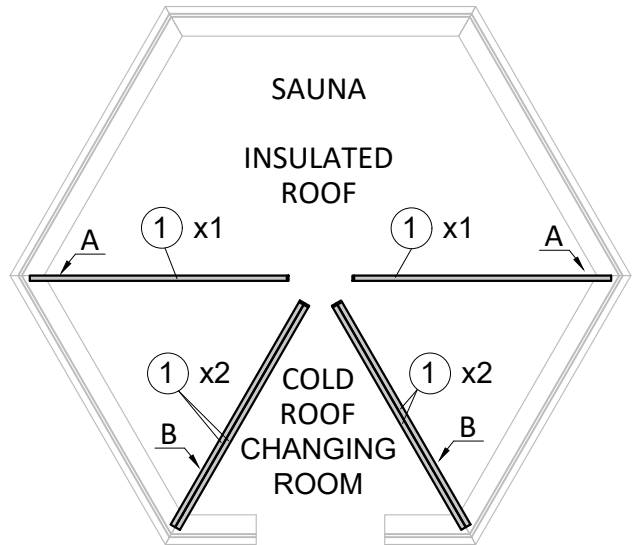
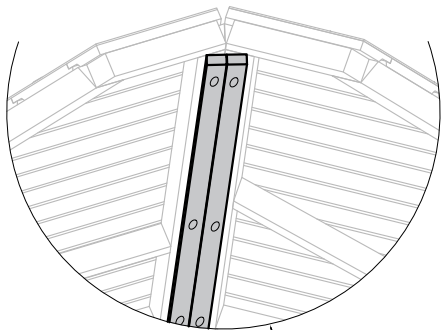
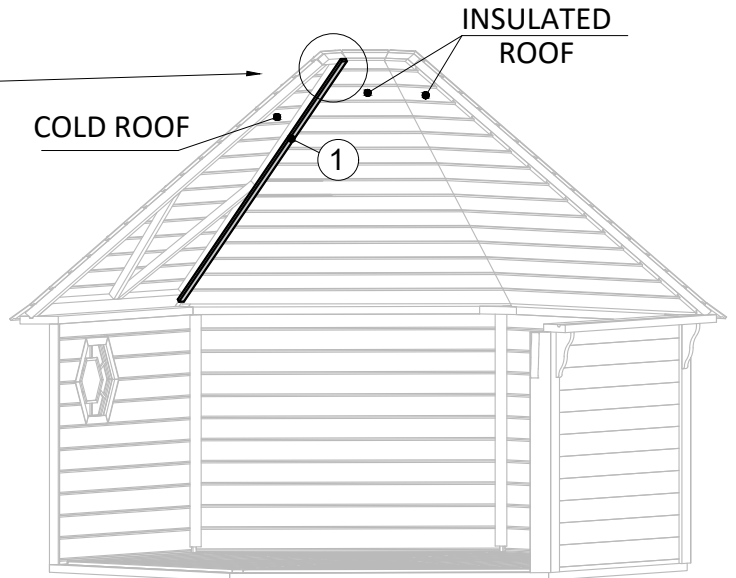
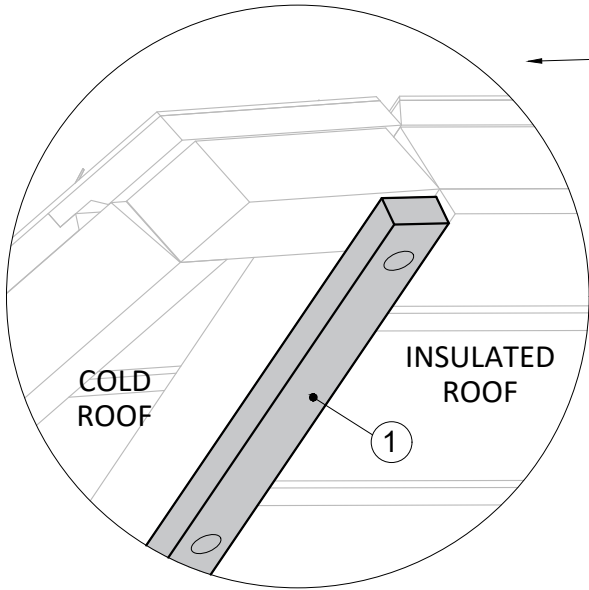
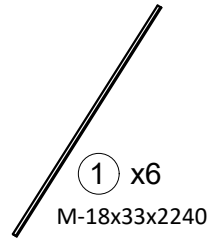
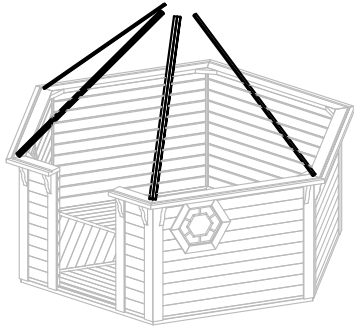
IF Sauna Cabin 9.2  
WITH CHANGING ROOM



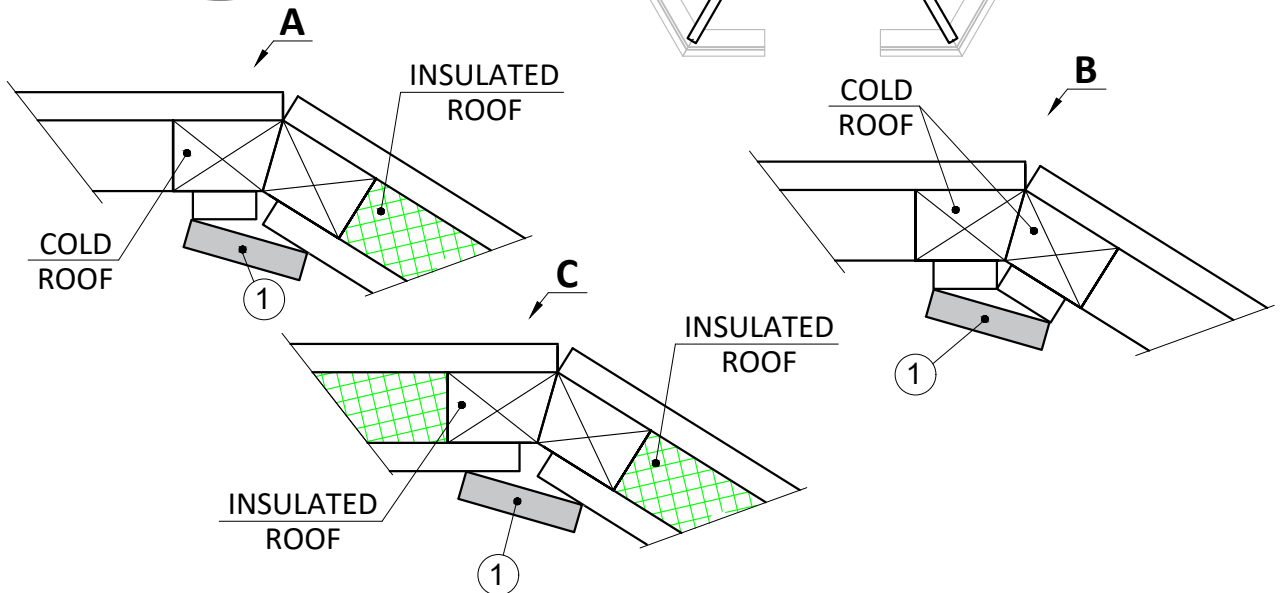
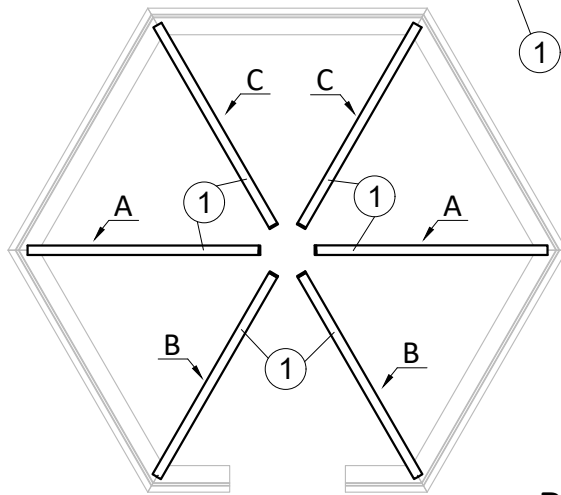
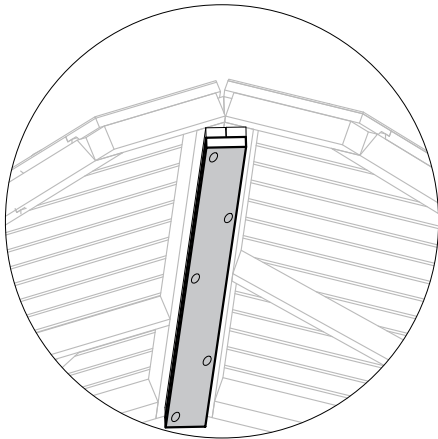
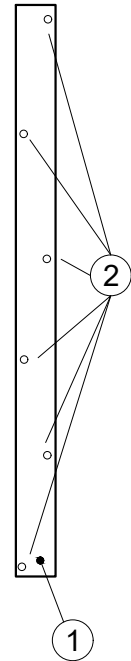
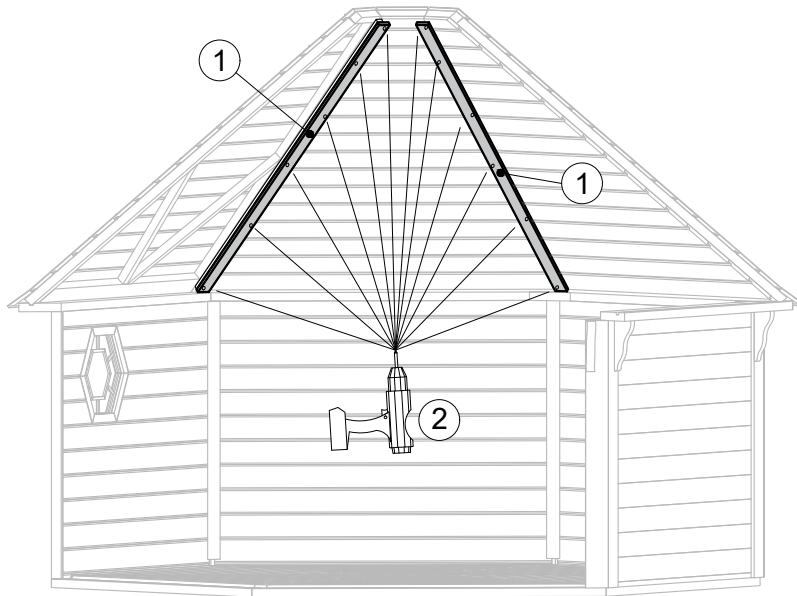
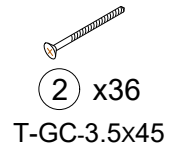
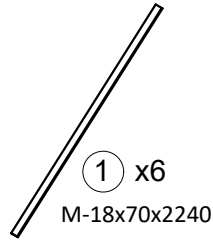
13.4 Sauna Cabin 9.2  
INSIDE FINISHING  
BOARD



### 13.4 Sauna Cabin 9.2 INSIDE FINISHING BOARD

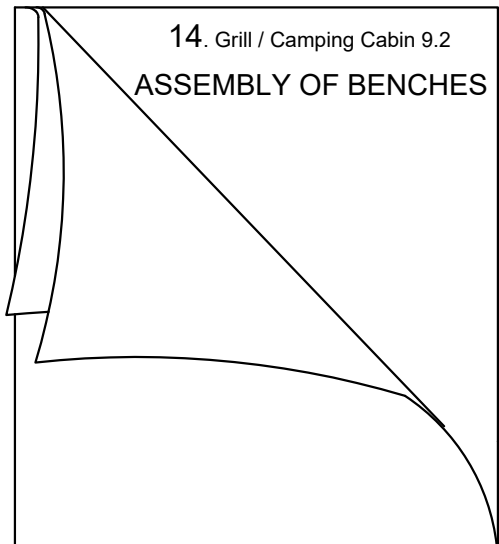
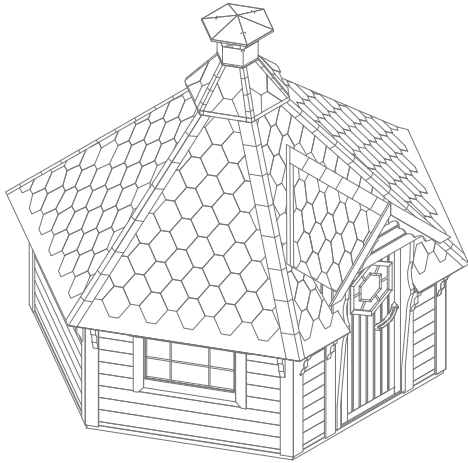


# 13.5 Sauna Cabin 9.2 INSIDE FINISHING BOARD

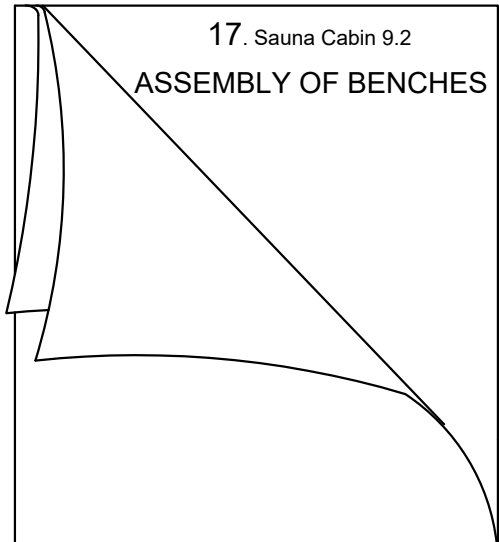
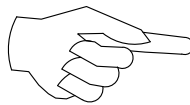
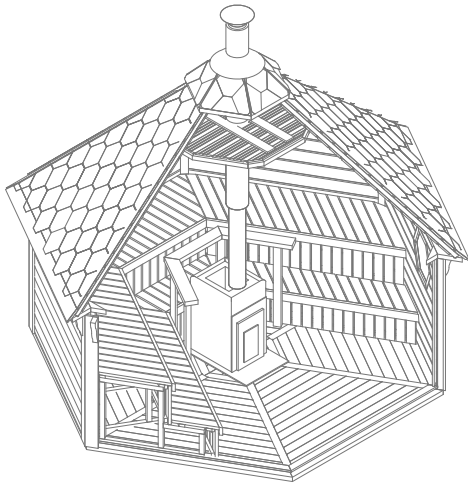




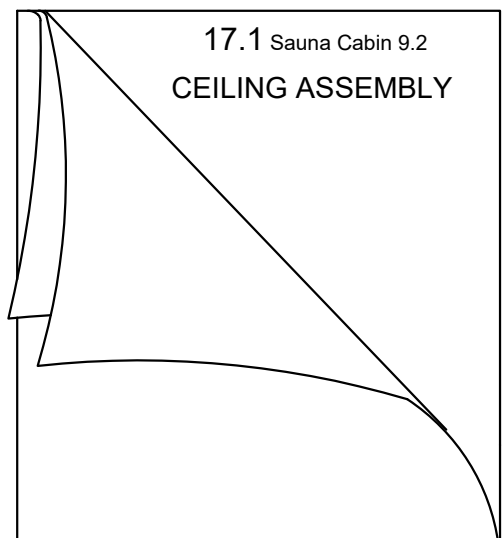
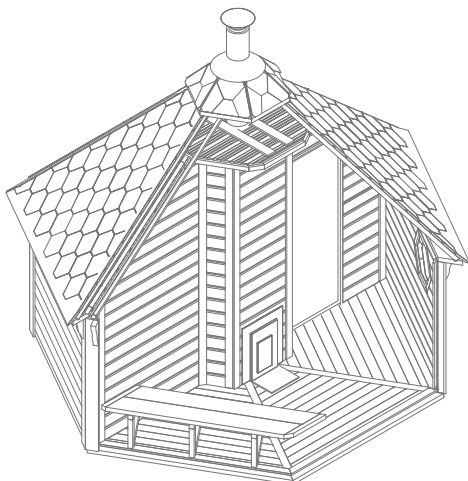
## GRILL / CAMPING CABIN 9.2



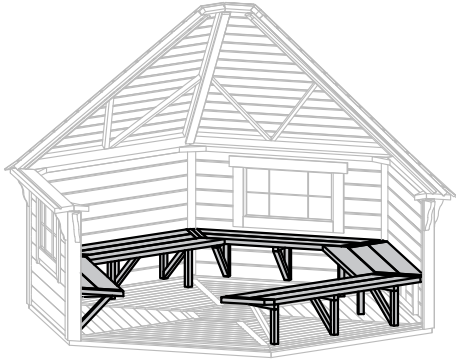
## SAUNA CABIN 9.2



## SAUNA CABIN 9.2 WITH CHANGING ROOM

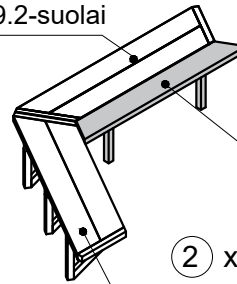


# 14. Grill / Camping Cabin 9.2 ASSEMBLY OF BENCHES



① x3  
GR9.2-suolai

④ x15  
GR-suolu-  
kojos



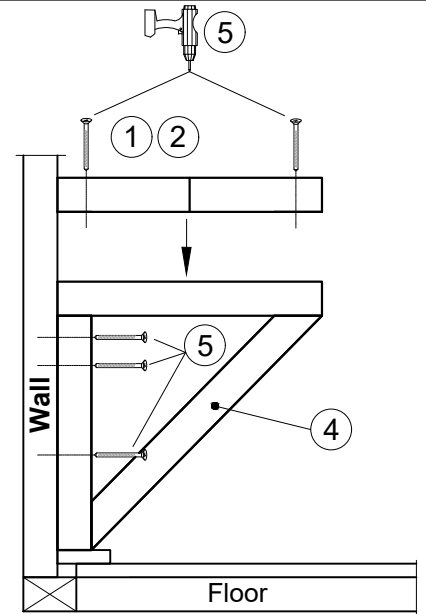
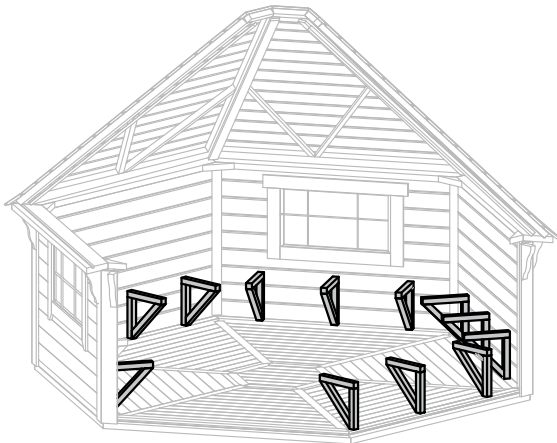
③ x2  
GR9.2-suolu-  
praplatinimas

⑤ x75  
T-GC-6x80

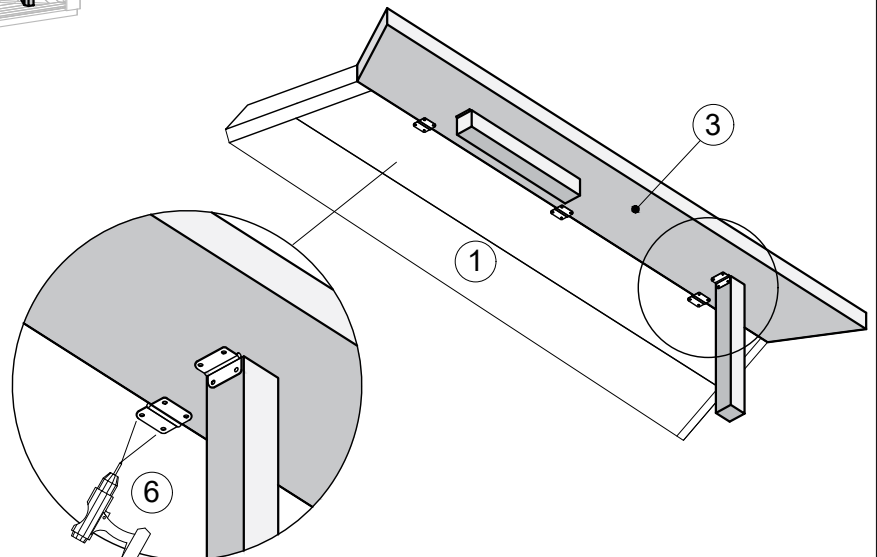
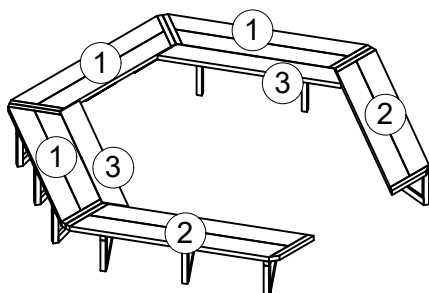
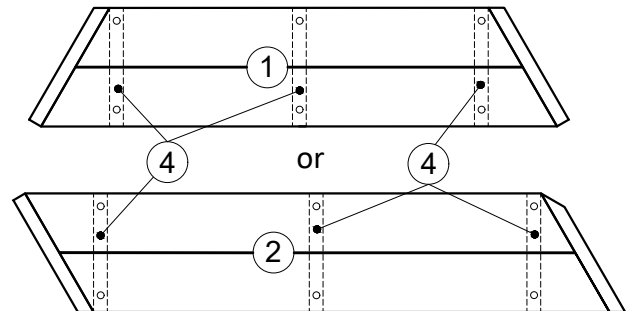
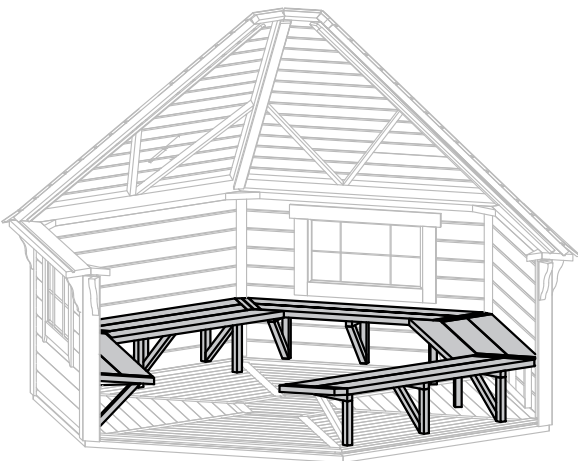
② x2  
GR9.2-suolai-prailginti

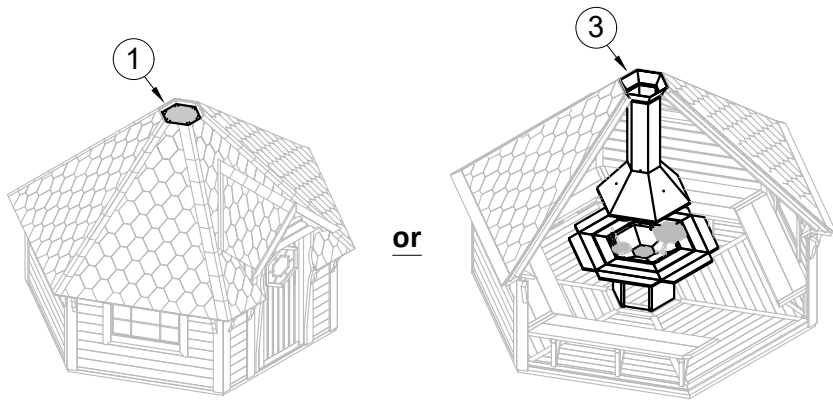
⑥ x12  
T-GC-3x30

## 1 Step



## 2 Step



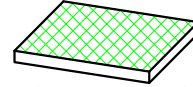


## 15. Grill Cabin 9.2



① x1

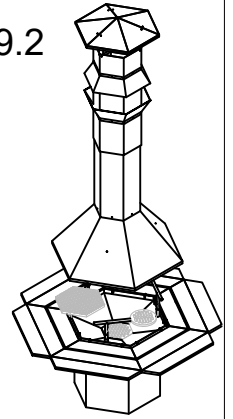
GR6k-Stog-  
dangtis-433x500



If insulated roof

② x1

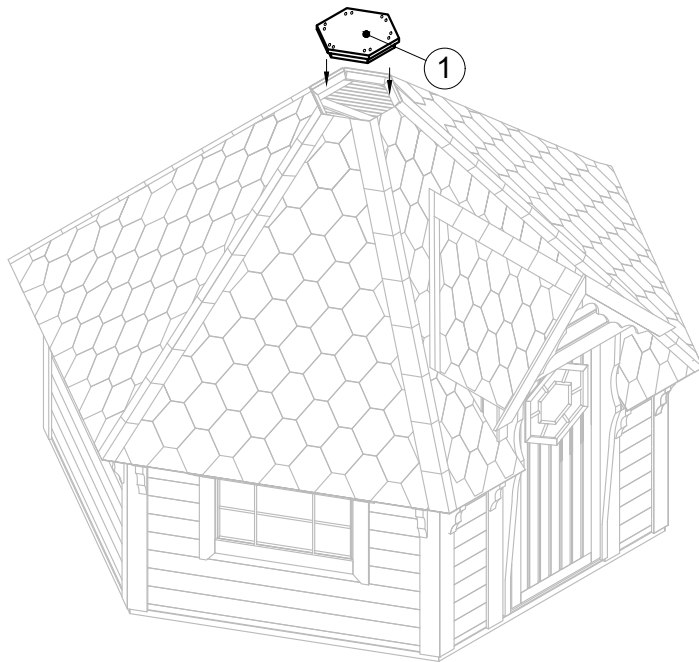
Akmens  
vata



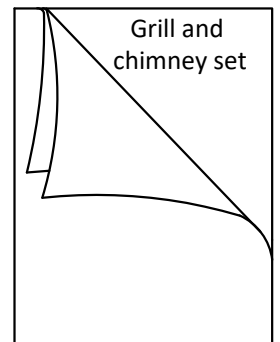
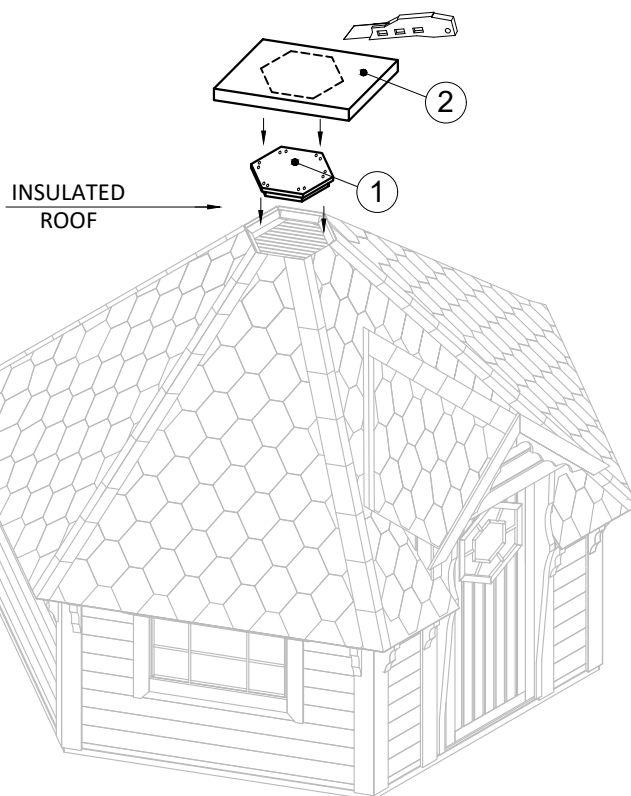
or

③ x1

GRC06  
or  
GRCV01  
or  
GRL06  
or  
GRP06

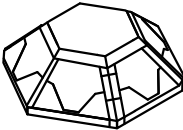
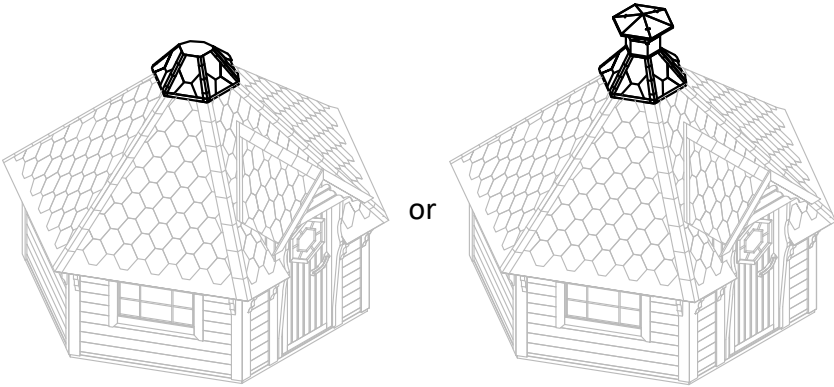


or



Grill and  
chimney set

16. Grill / Camping Cabin 9.2  
ROOF HAT



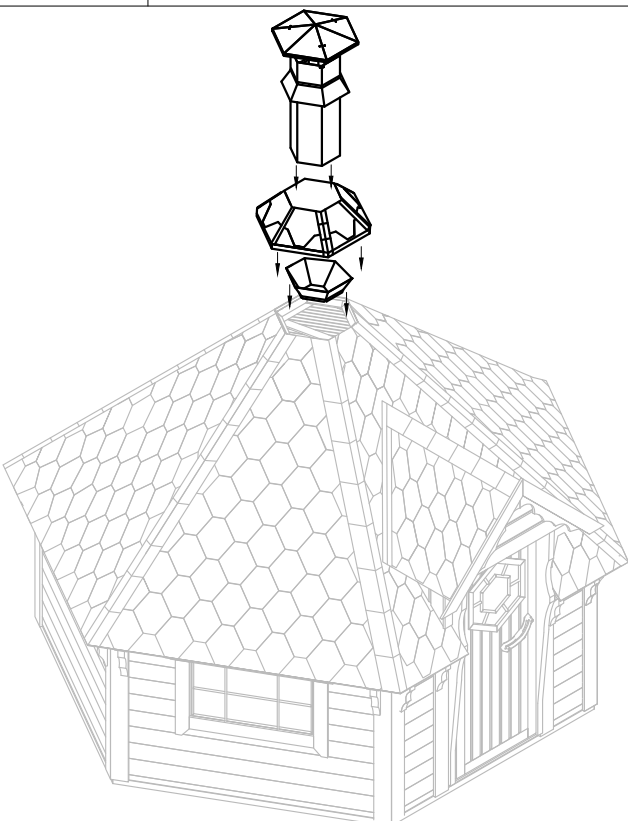
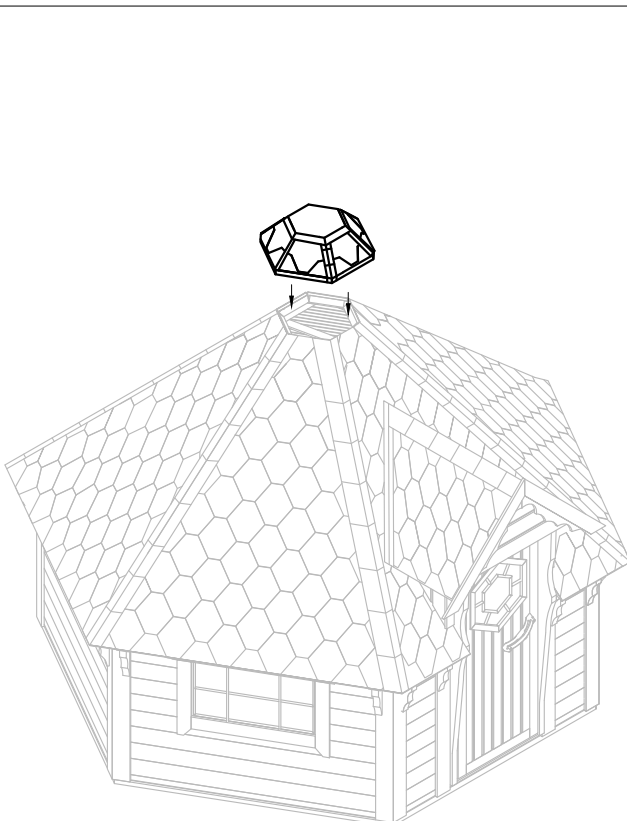
① x1

GR6k-Kepures-dangtis  
or  
GR6k-Kepure

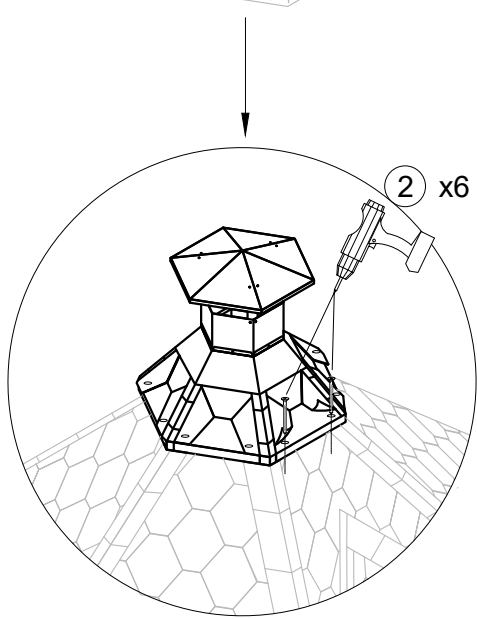
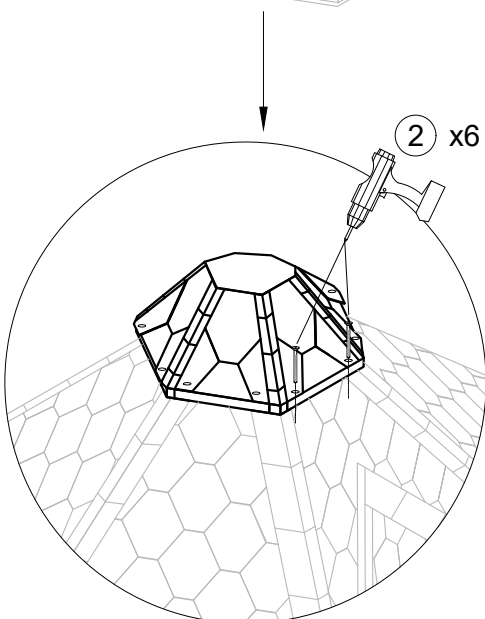


② x6

T-GC-4x70

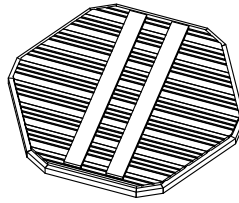
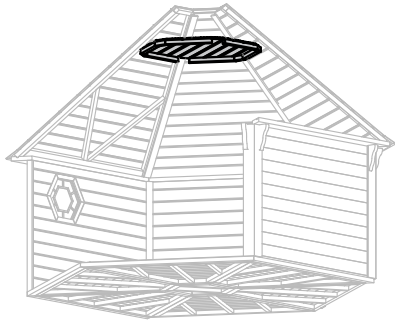


or



or

# 17. Sauna Cabin 9.2 CEILING ASSEMBLY



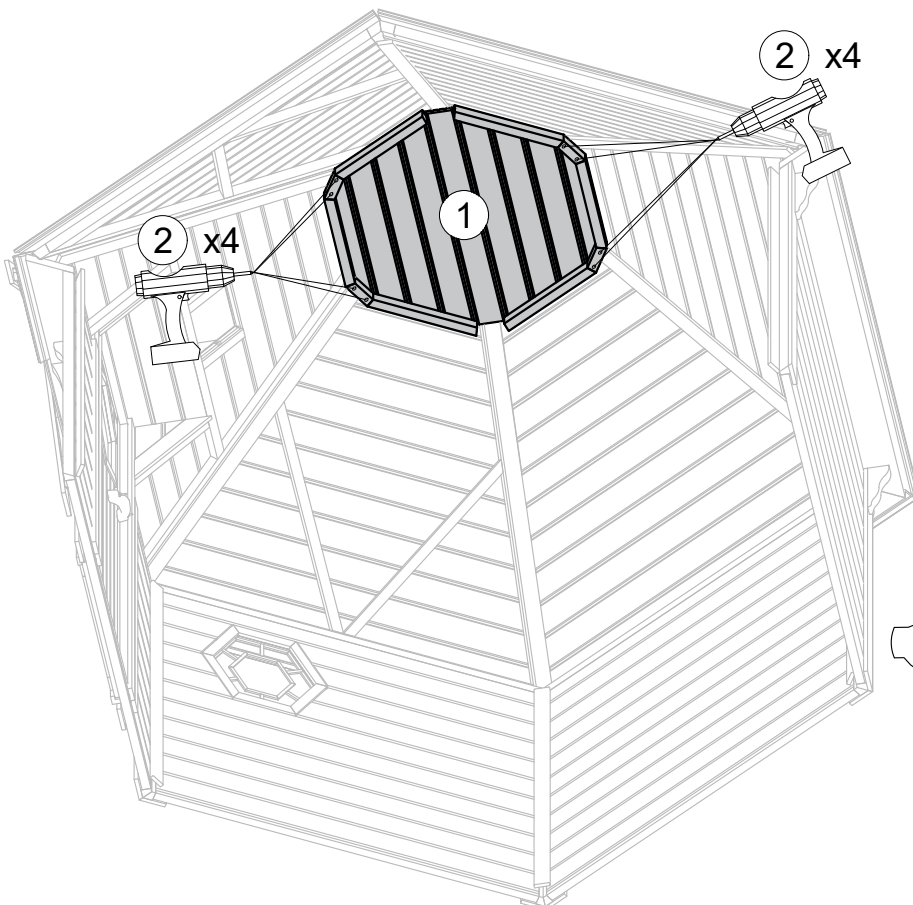
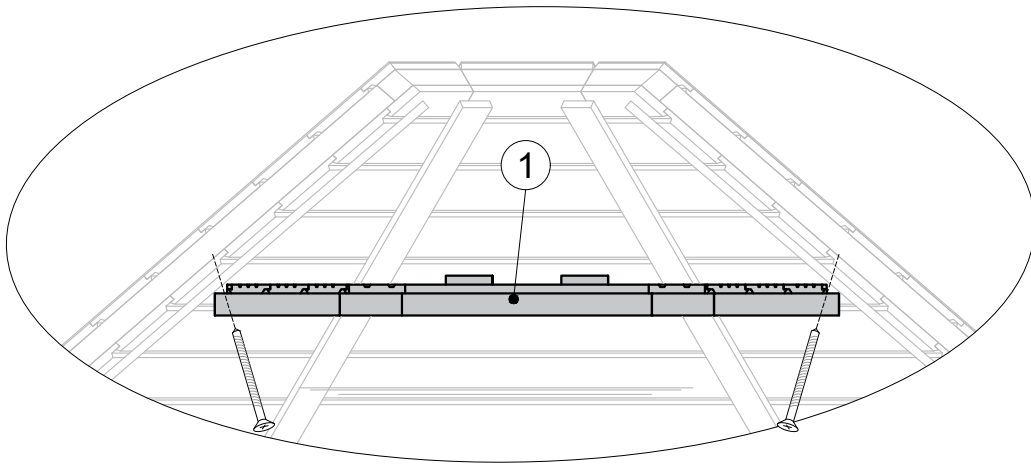
1 x1

S9.2-lubos-1270x1173



2 x8

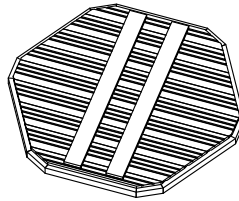
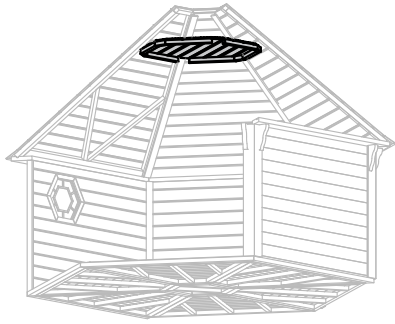
T-GC-5x100



26. Sauna Cabin 9.2  
SAUNA  
BENCHES



# 17.1 Sauna Cabin with changing room 9.2 CEILING ASSEMBLY



1 x1

S9.2-lubos-1270x1173

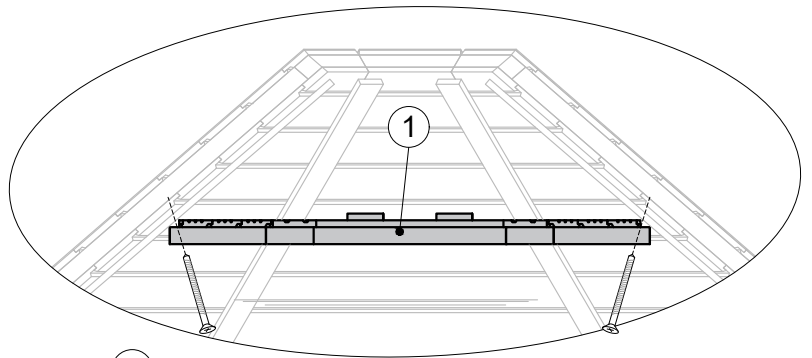
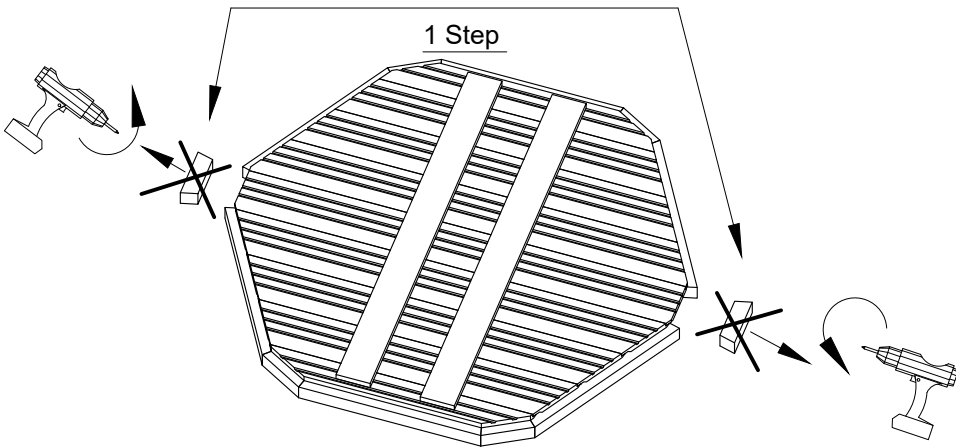


2 x8

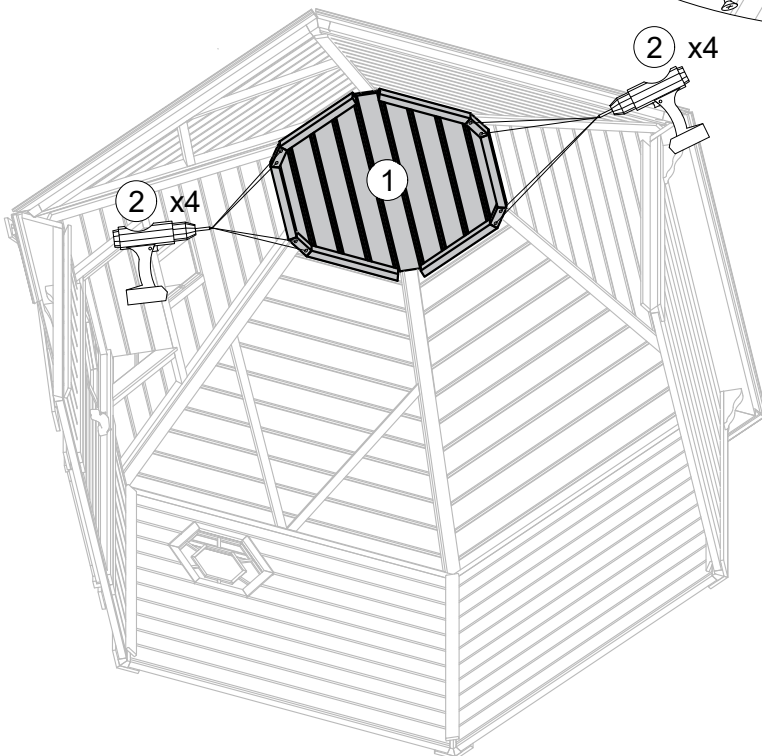
T-GC-5x100

## IF Sauna Cabin 9.2 WITH CHANGING ROOM

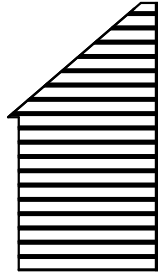
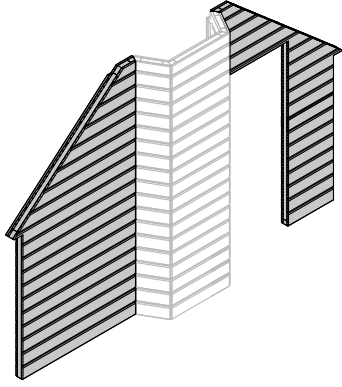
1 Step



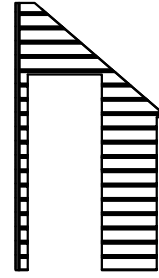
2 Step



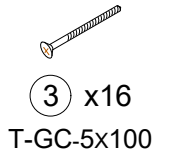
# 18. Sauna Cabin with changing room 9.2 INSIDE WALL ASSEMBLY



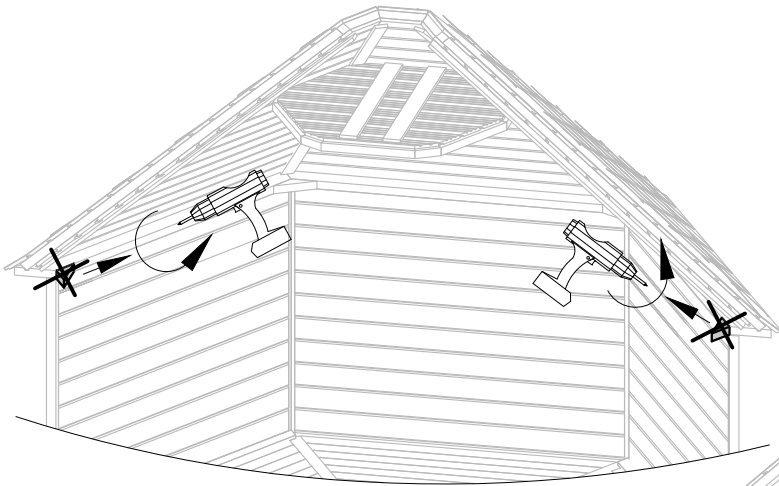
① x1  
S9.2-Pertv-1434x2525



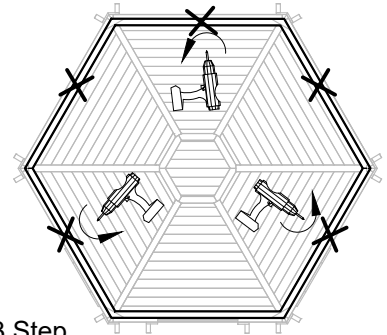
② x1  
S9.2-PertvD-1434x2525



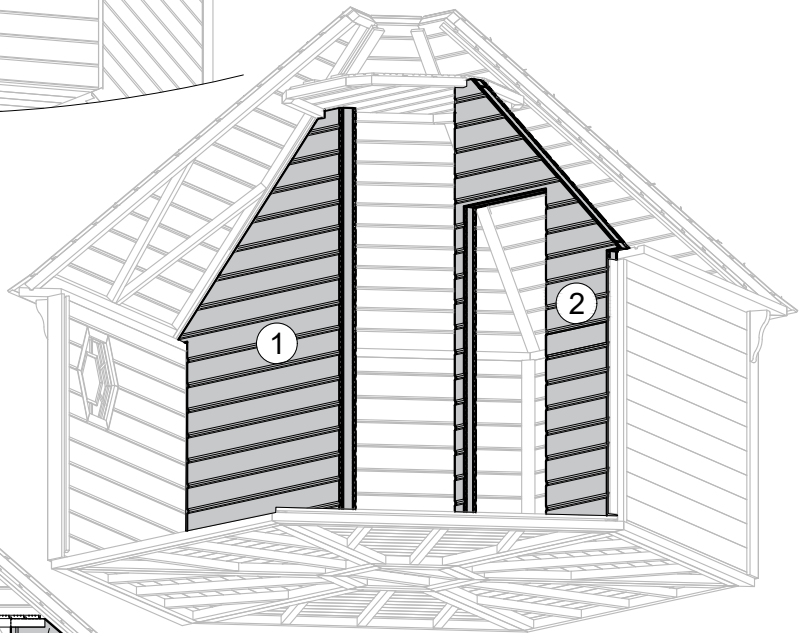
1 Step



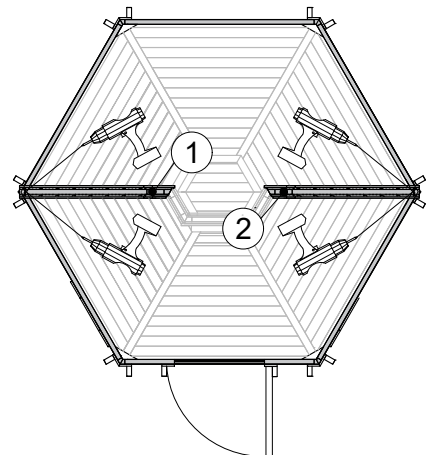
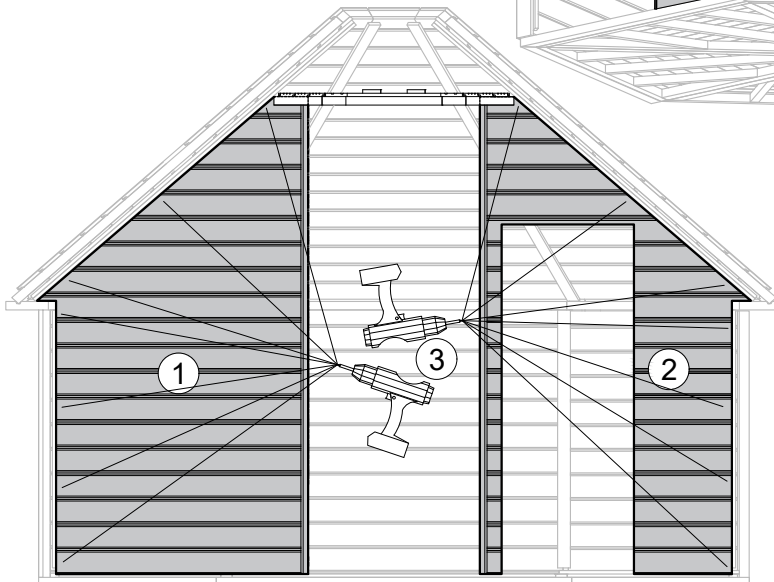
2 Step



3 Step

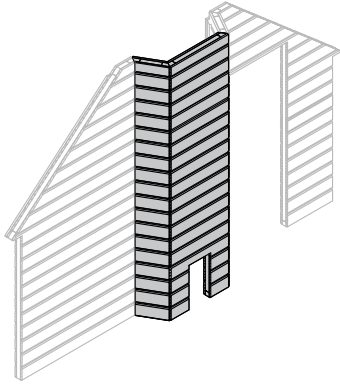


3 Step



# 18.1 Sauna Cabin with changing room 9.2

## INSIDE WALL ASSEMBLY



① x1

S9.2-Pertv-326x2525-(k)



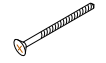
② x1

S9.2-Pertv-661x2525



③ x1

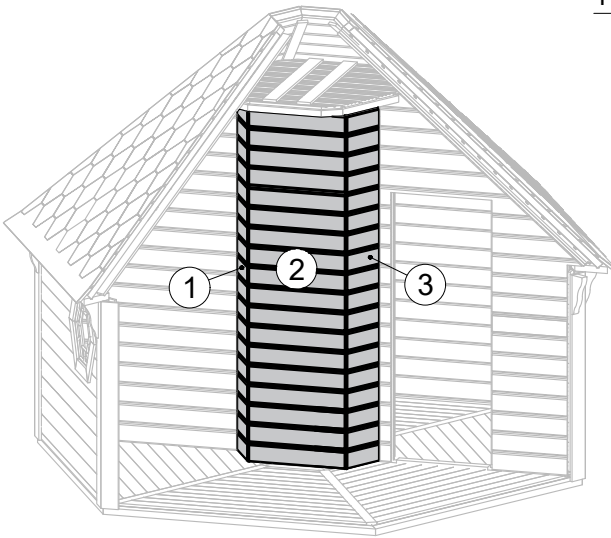
S9.2-Pertv-326x2525-(d)



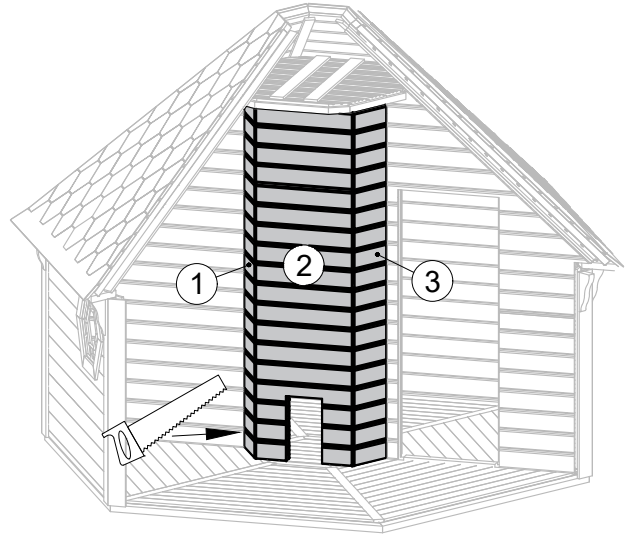
④ x16

T-GC-5x100

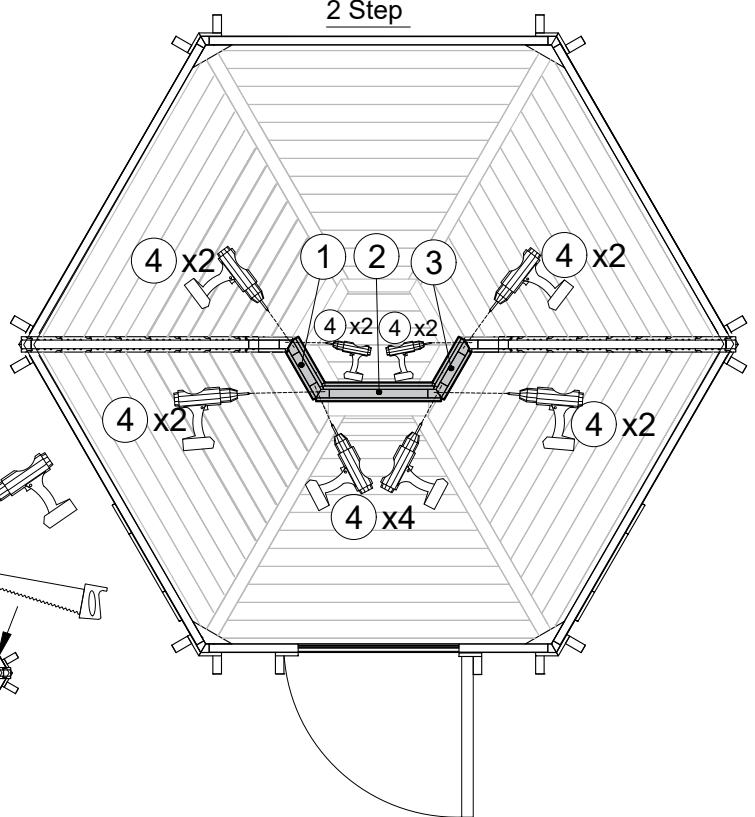
### 1 Step



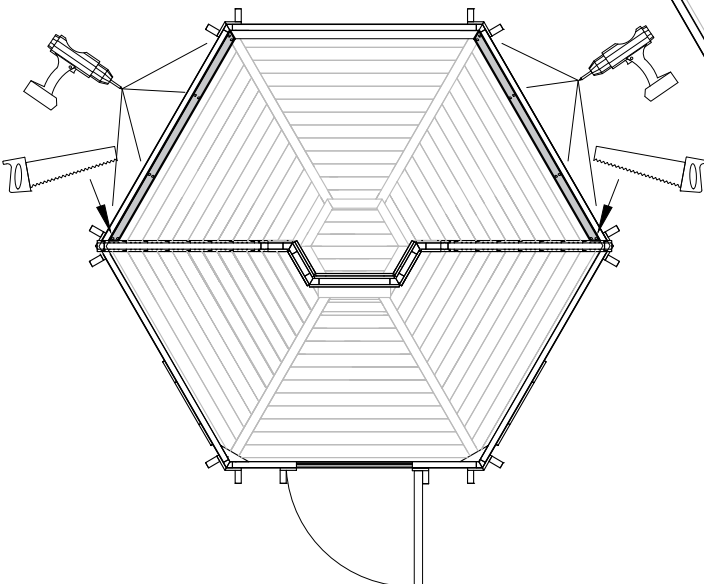
OR



### 2 Step

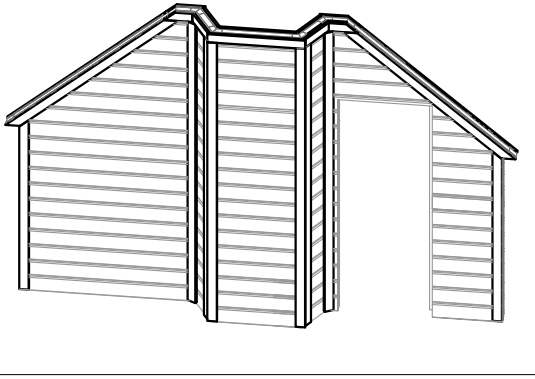


### 3 Step





## 19. Sauna Cabin with changing room 9.2 INSIDE WALL FINISHING BOARD

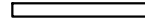
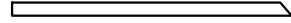
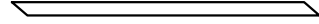
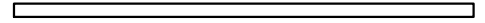


① x14  
M-18x70x2432

② x4  
M-18x70x1627-F

③ x4  
M-18x70x1479-F

④ x1  
M-18x70x720



⑩ x244  
T-GC-3.5x45

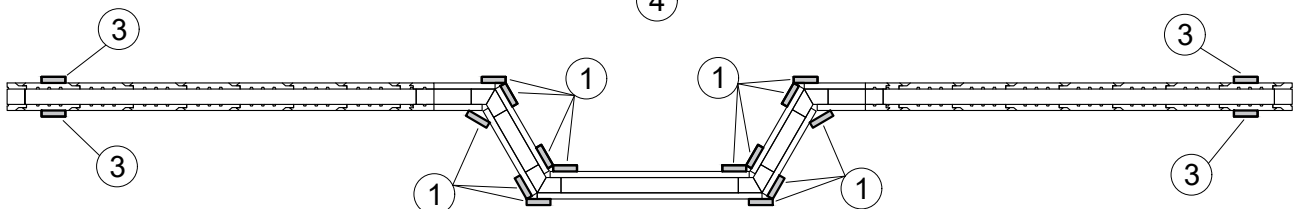
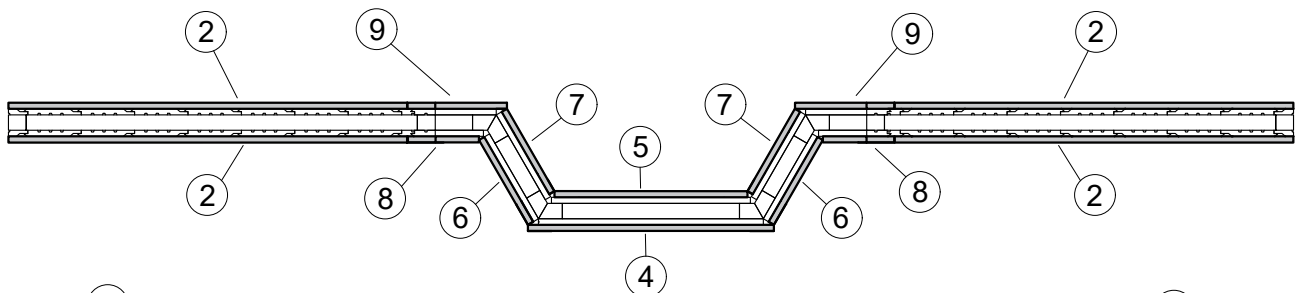
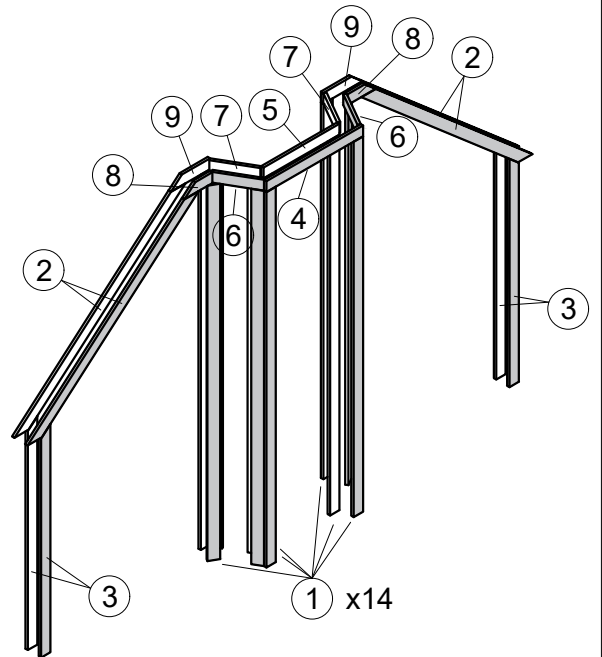
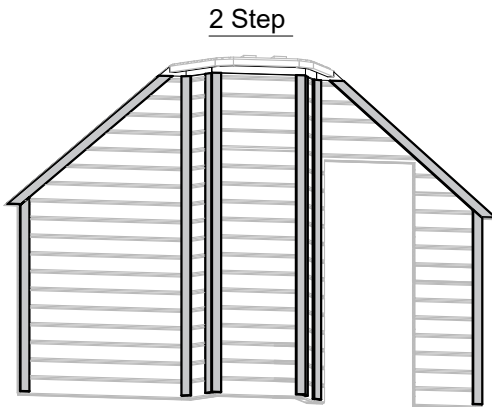
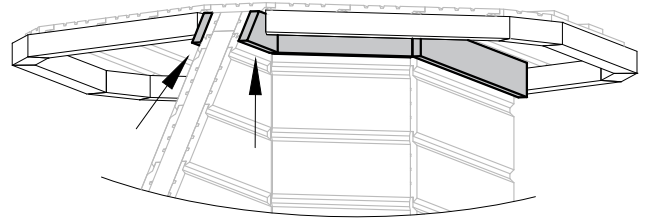
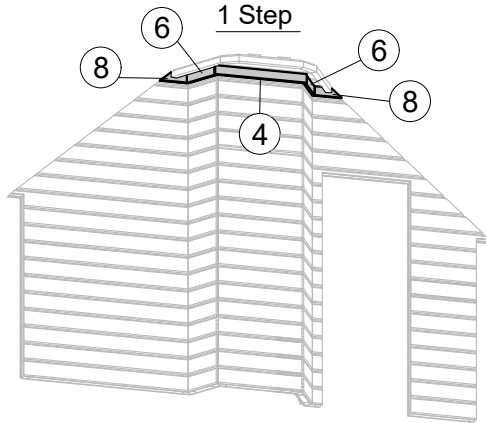
⑤ x1  
M-18x70x565

⑥ x2  
M-18x70x285

⑦ x2  
M-18x70x275

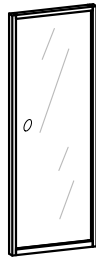
⑧ x2  
M-18x70x209-F

⑨ x2  
M-18x70x290-F

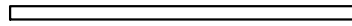


## 20. Sauna Cabin with changing room 9.2 INSIDE DOOR AND FINISHING BOARD

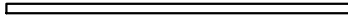
① x1  
PUS00233



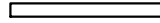
② x3  
M-18x70x1840



③ x1  
M-18x50x1840



④ x2  
M-18x70x810

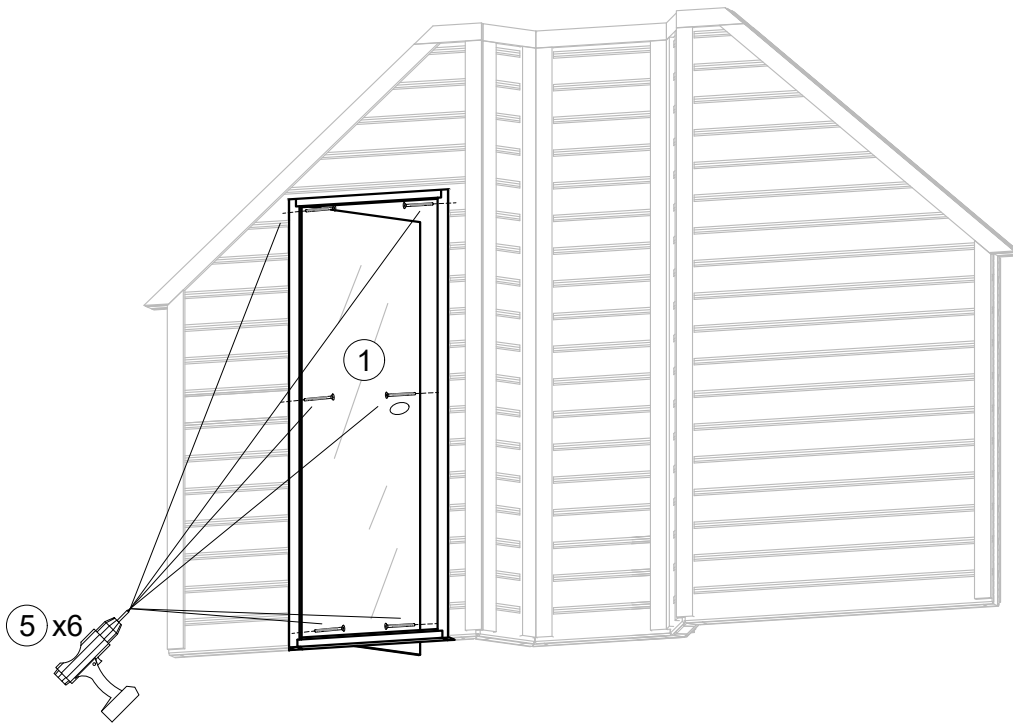


⑤ x6  
T-GC-5x100

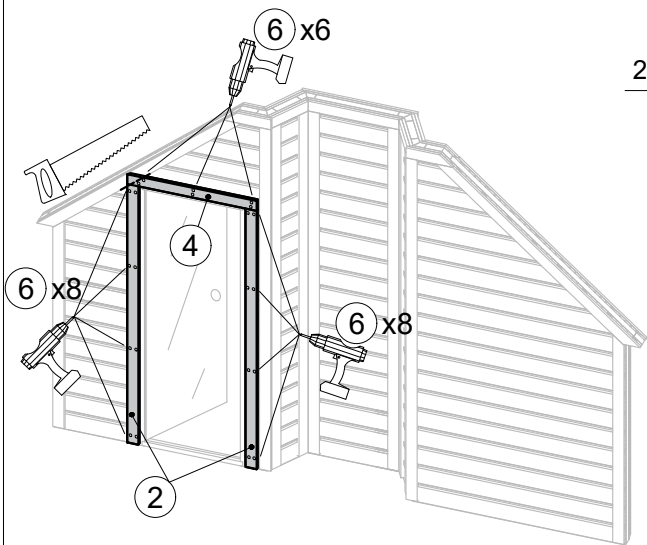


⑥ x48  
T-GC-3.5x45

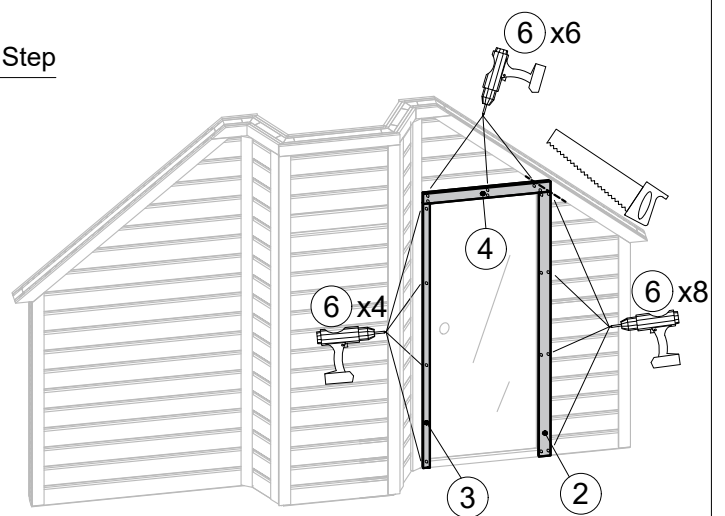
### 1 Step



### 2 Step

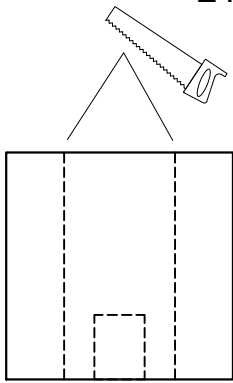


FROM SAUNA SIDE



FROM CHANGING ROOM SIDE

# 21. Sauna Cabin with changing room 9.2 HEAT- RESISTANT PLATES



① x2

HEAT- RESISTANT PLATE

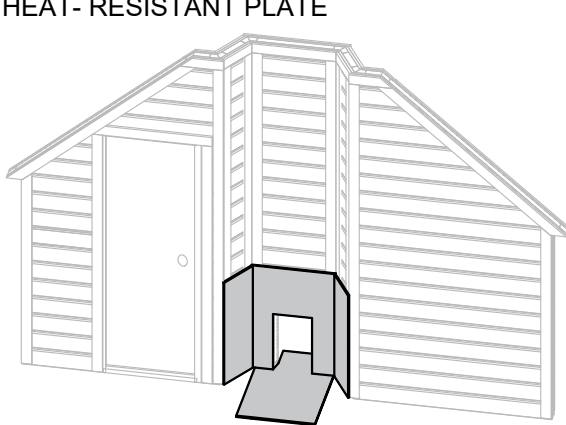


② x24

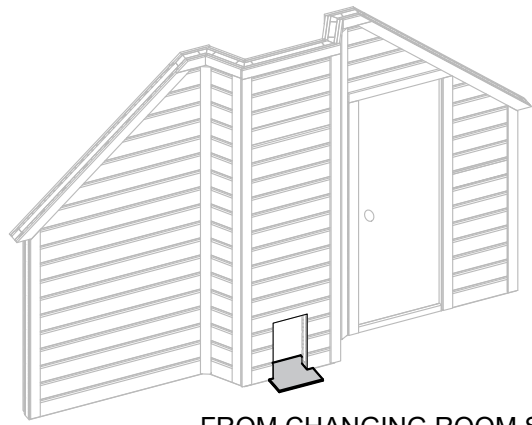
T-GC-3.5x45

## ATTENTION

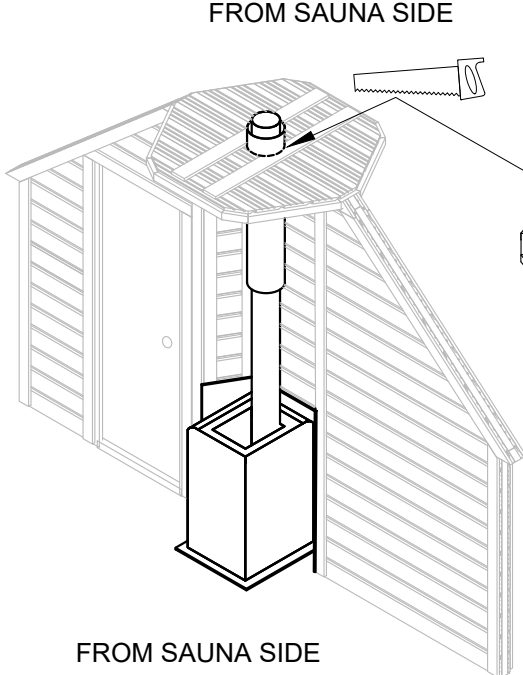
FOLLOW THE MANUFACTURER'S  
RECOMENDATIONS WHEN INSTALLING  
THE SAUNA HEATER



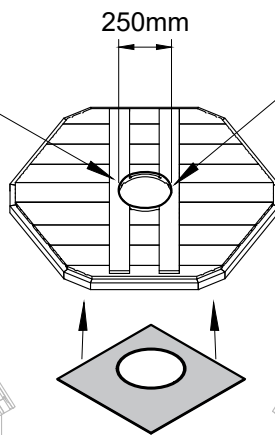
FROM SAUNA SIDE



FROM CHANGING ROOM SIDE

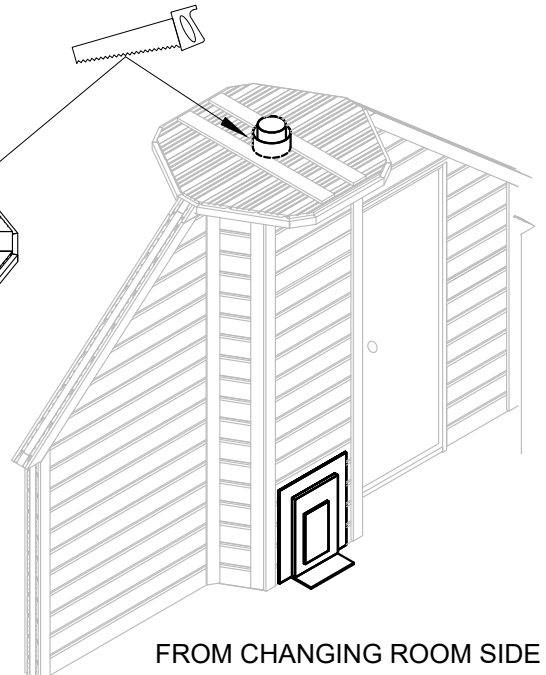


FROM SAUNA SIDE

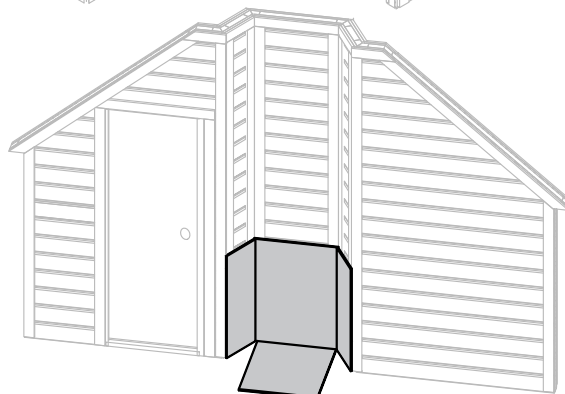


250mm

OR

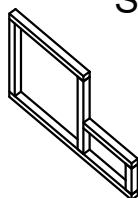
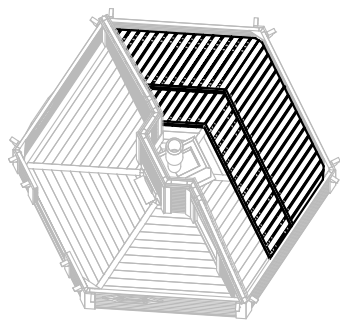


FROM CHANGING ROOM SIDE



FROM SAUNA SIDE

## 22. Sauna Cabin with changing room 9.2 SAUNA BENCHES



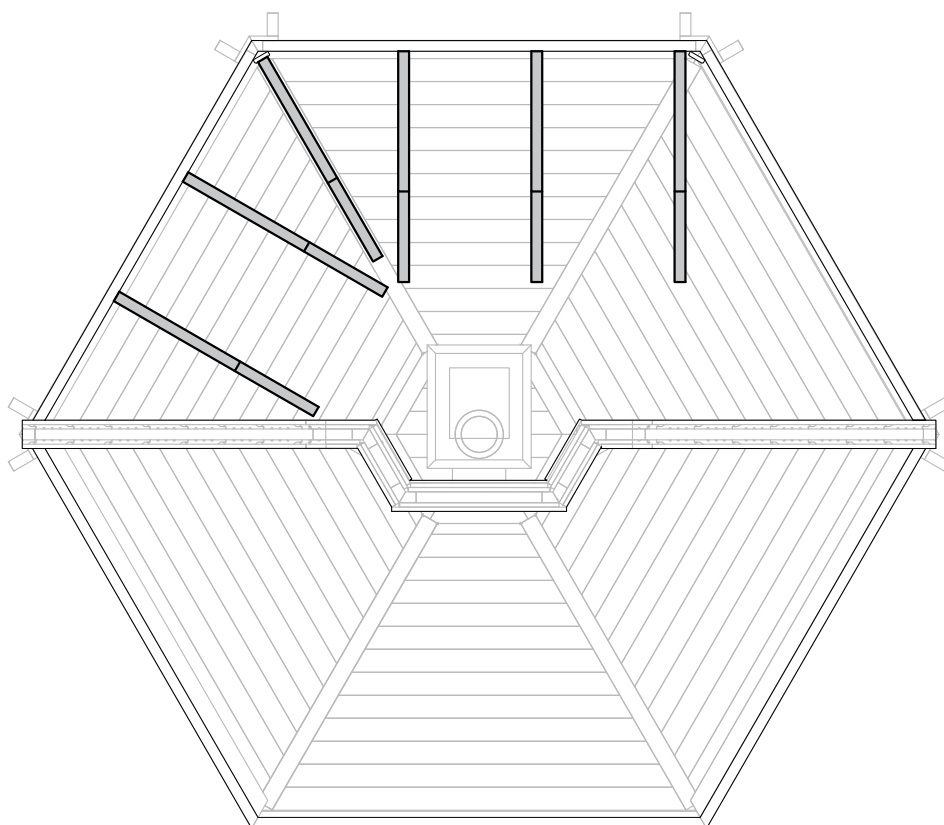
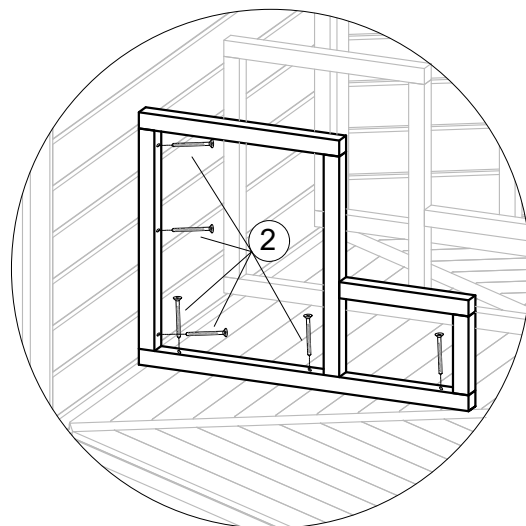
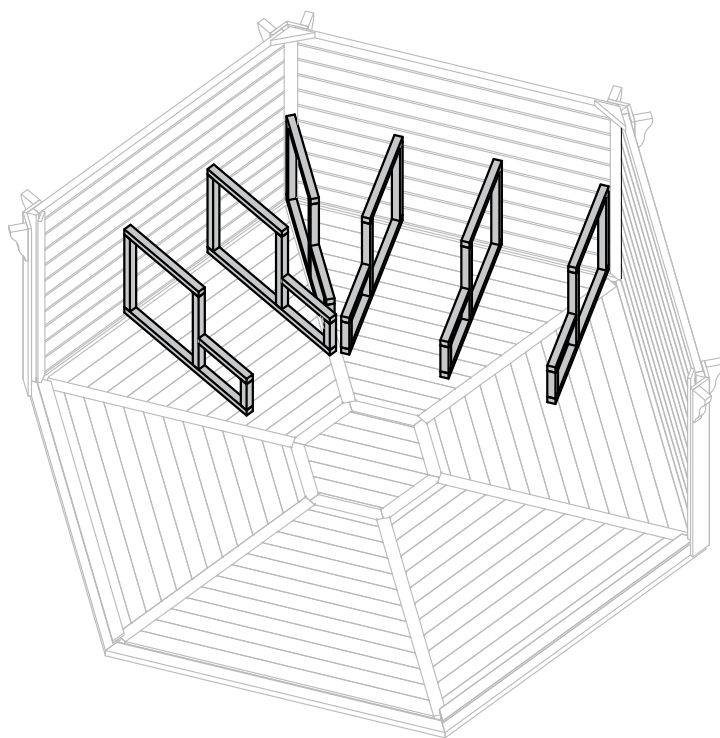
① x6

S-koja-954x705

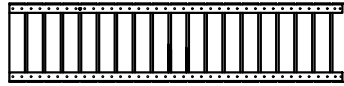
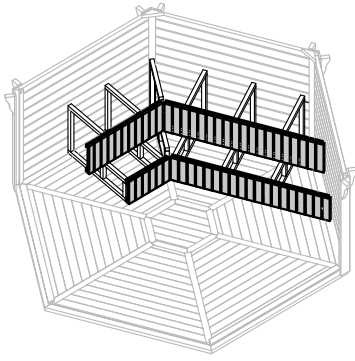


② x36

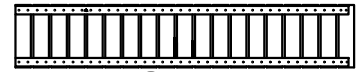
T-GC-6x80



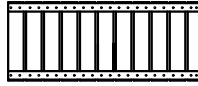
## 22.1 Sauna Cabin with changing room 9.2 SAUNA BENCHES



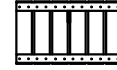
① x1  
S9.2-gultas-1792x415



② x1  
S9.2-gultas-1792x330



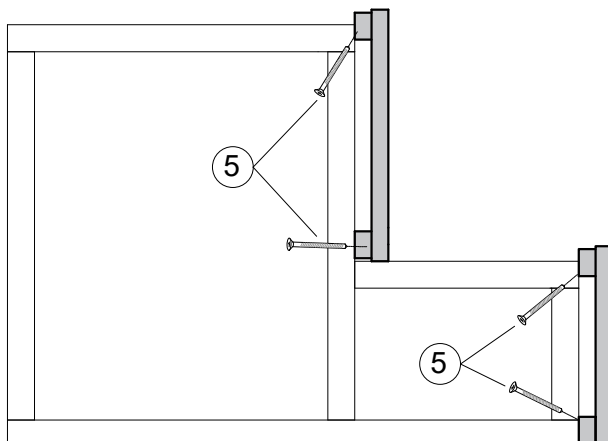
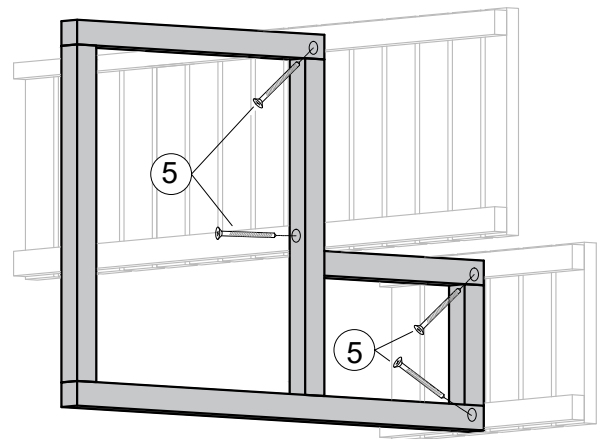
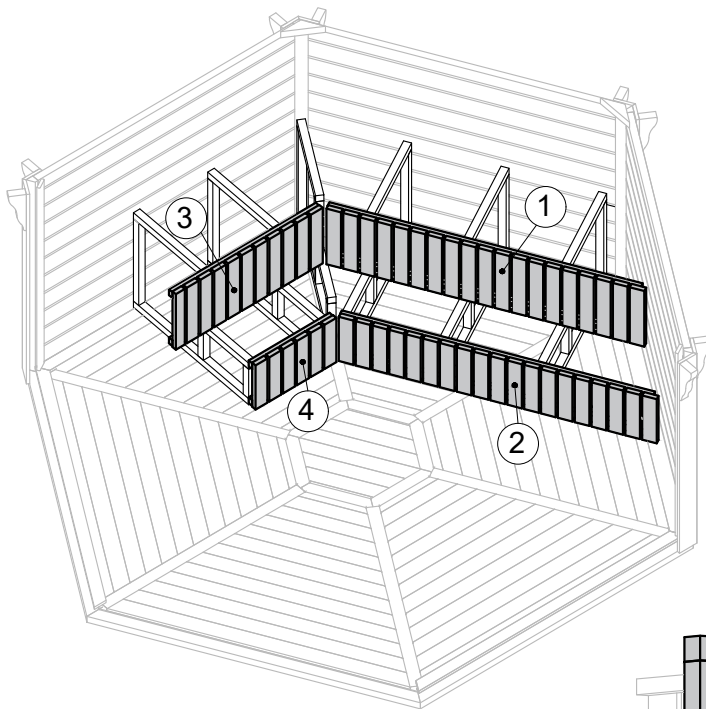
③ x1  
S9.2-gultas-1012x415



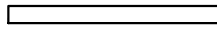
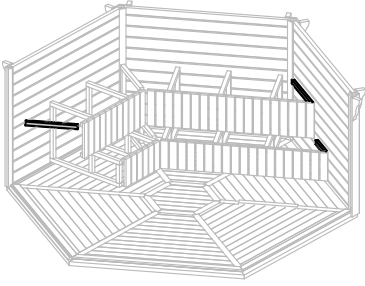
④ x1  
S9.2-gultas-557x330



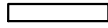
⑤ x24  
T-GC-5x80



## 22.2 Sauna Cabin with changing room 9.2 SAUNA BENCHES



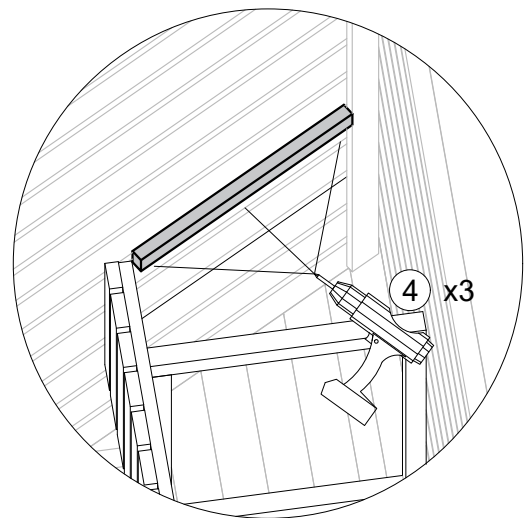
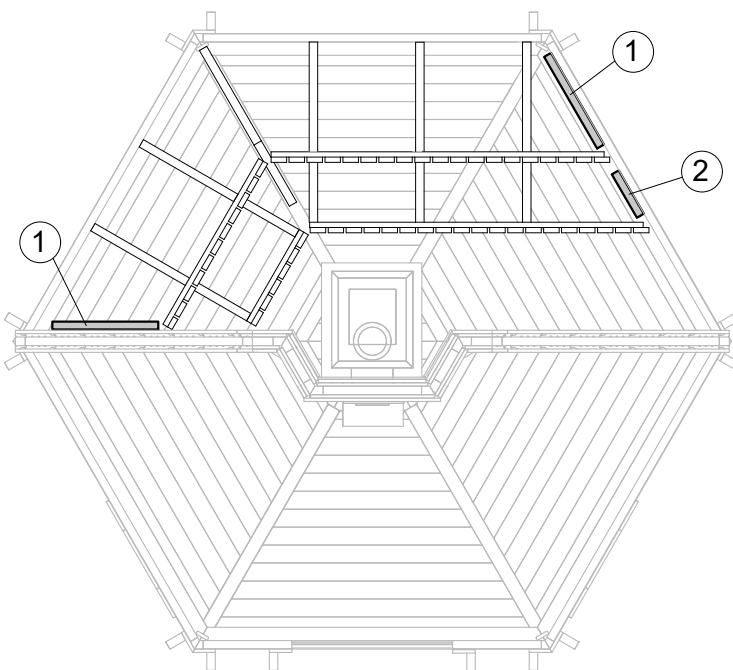
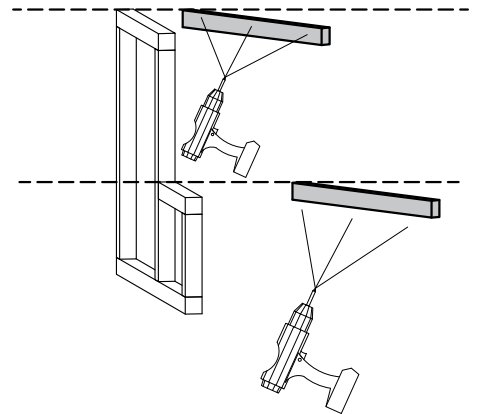
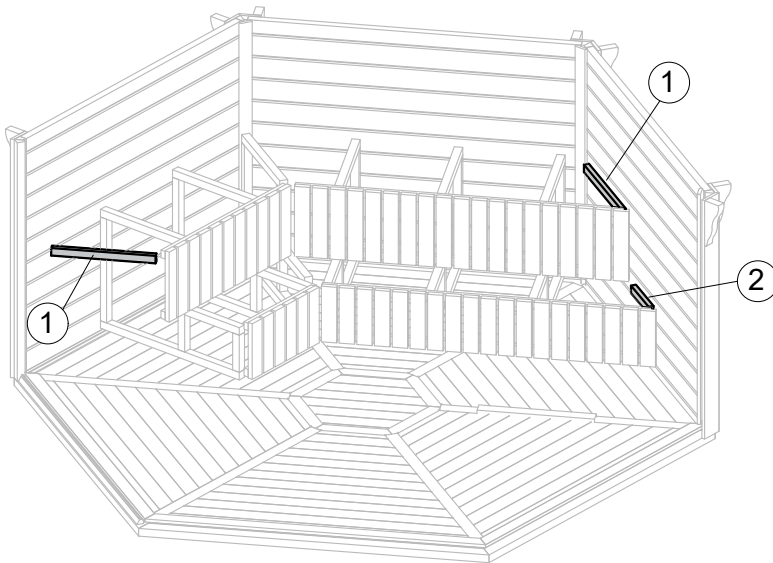
① x2  
M-45x45x560



② x1  
M-45x45x265



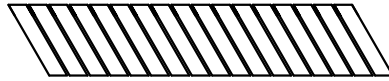
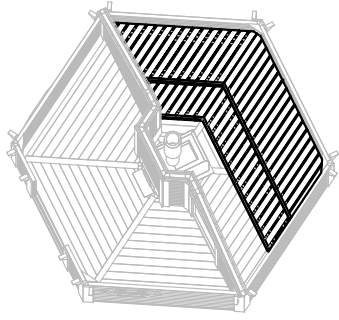
③ x9  
T-GC-5x80



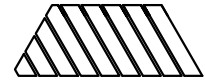
④ x3



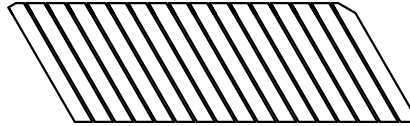
## 22.3 Sauna Cabin with changing room 9.2 SAUNA BENCHES



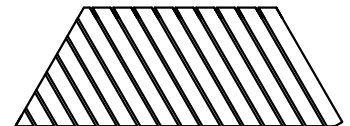
① x1  
S9.2-gultas-2034x374



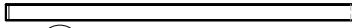
② x1  
S9.2-gultas-992x374



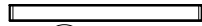
③ x1  
S9.2-gultas-2168x628



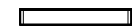
④ x1  
S9.2-gultas-1730x628



⑤ x2  
Mpl-28x82x1841-F



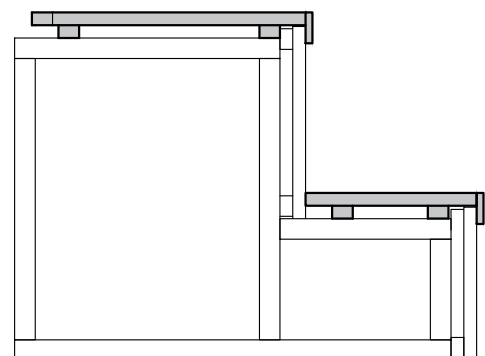
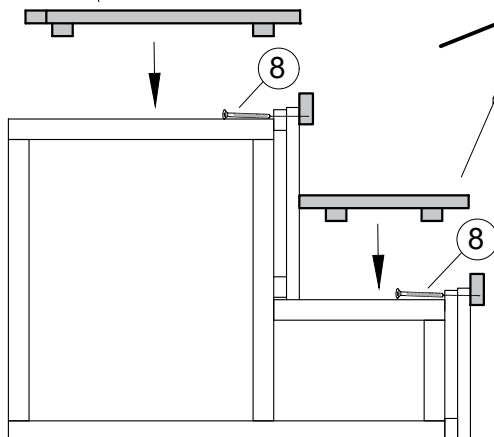
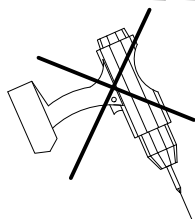
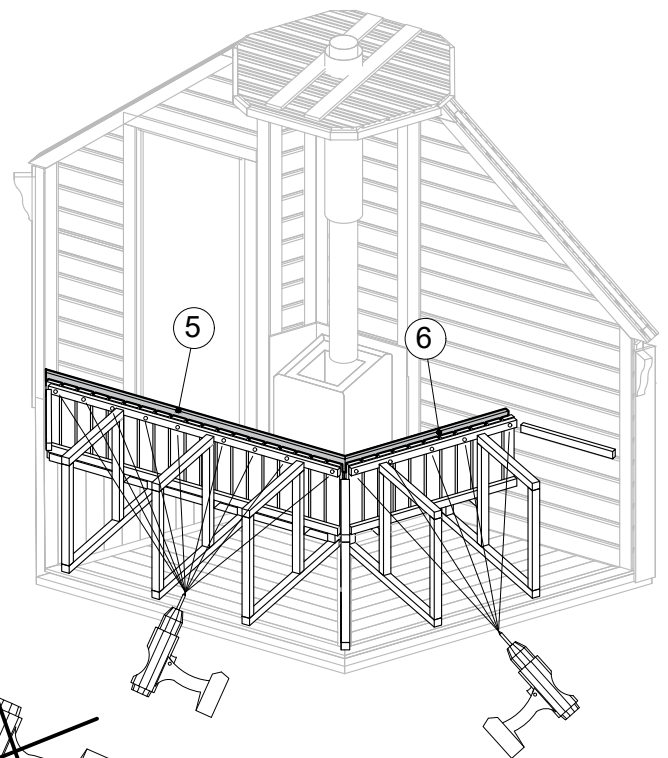
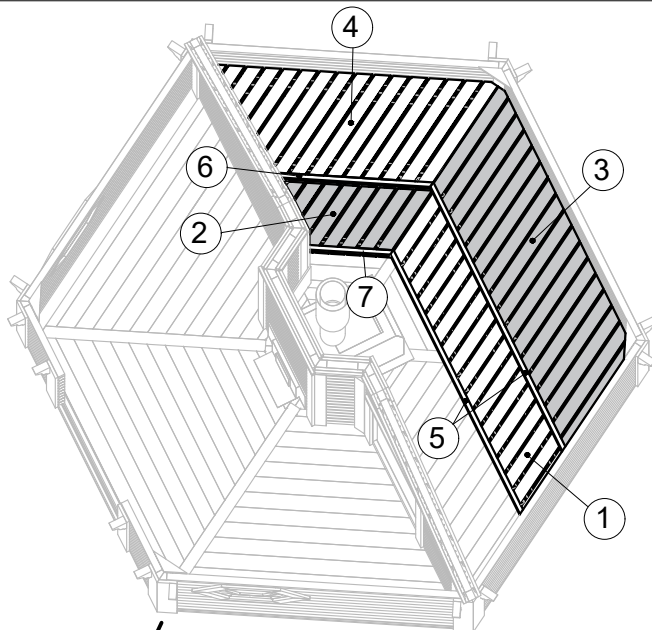
⑥ x1  
Mpl-28x82x1016-F



⑦ x1  
Mpl-28x82x587-F

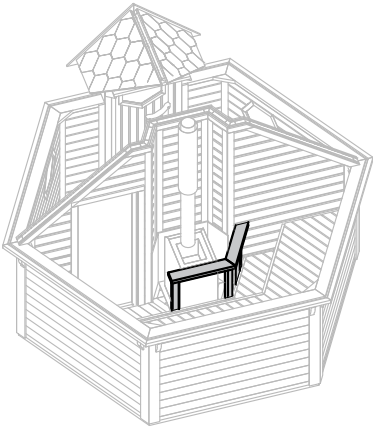


⑧ x30  
T-GC-5x80





## 24. Sauna Cabin with changing room 9.2 SAFETY FENCE FOR THE HEATER

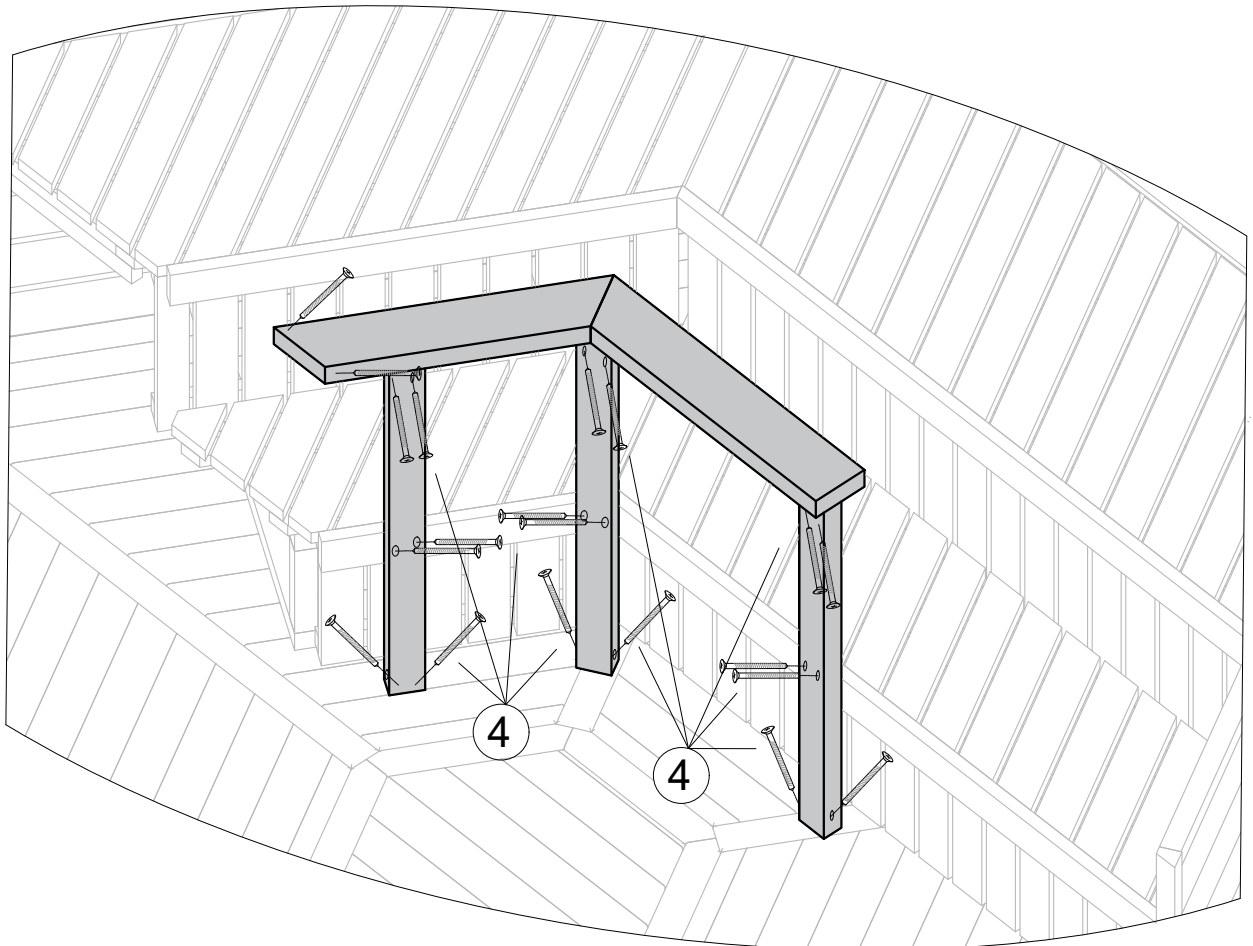
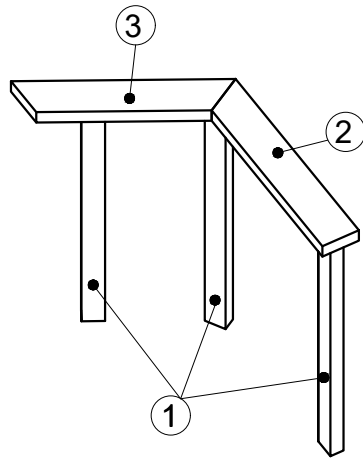


① x3  
M-45x70x900

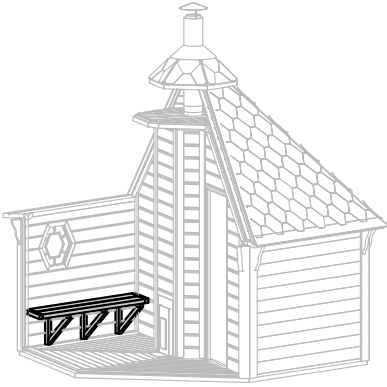
② x1  
M-45x120x710-F

③ x1  
M-45x120x630-F

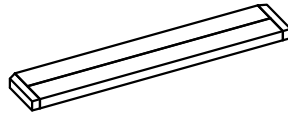
④ x20  
T-GC-5x80



## 25. Sauna Cabin with changing room 9.2 ASSEMBLY OF BENCHES



① x3  
GR-suolu-kojos

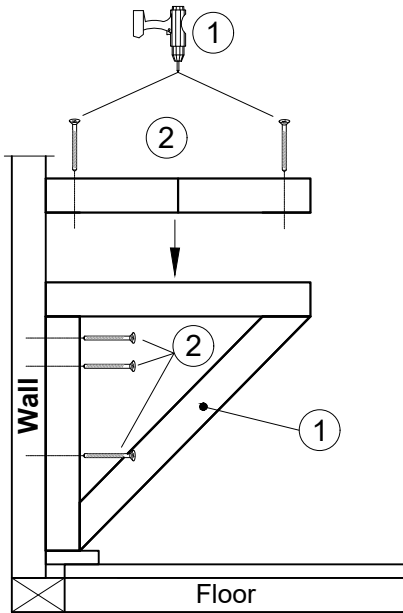


② x1  
S9.2-suolas

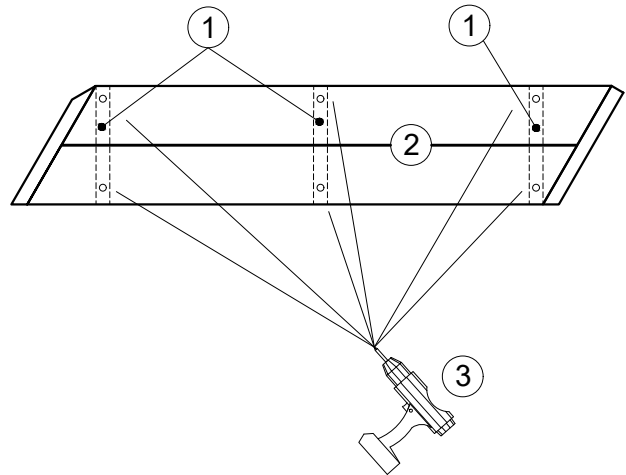


③ x15  
T-GC-6x80

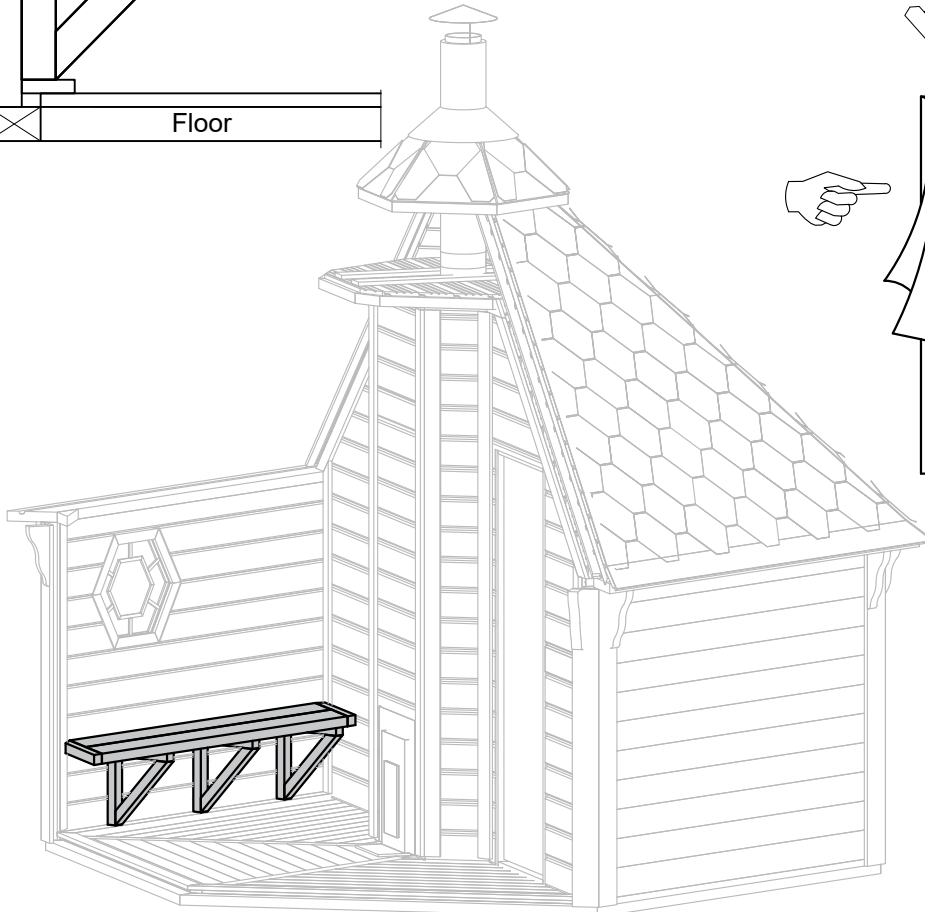
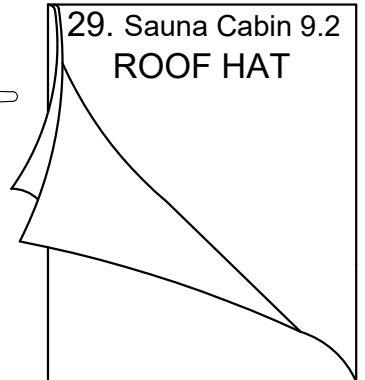
### 1 Step



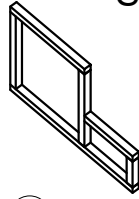
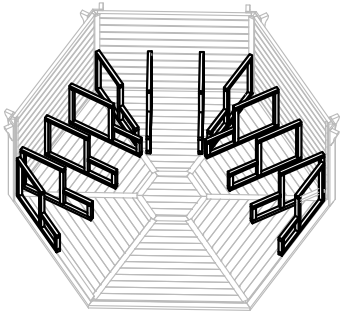
### 2 Step



### 29. Sauna Cabin 9.2 ROOF HAT



## 26. Sauna Cabin 9.2 SAUNA BENCHES

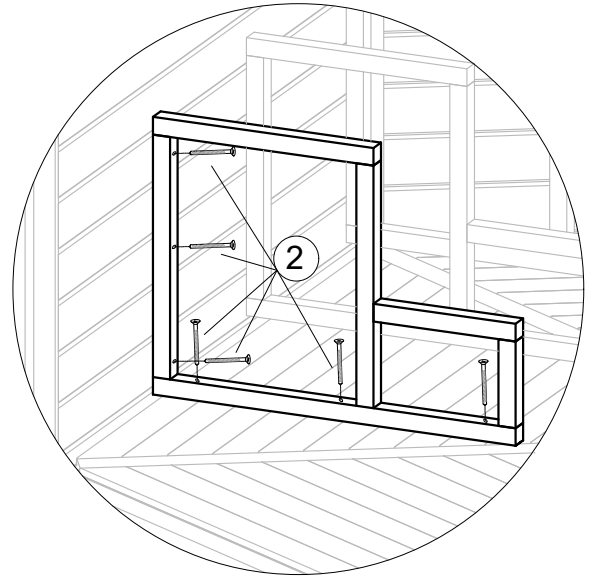
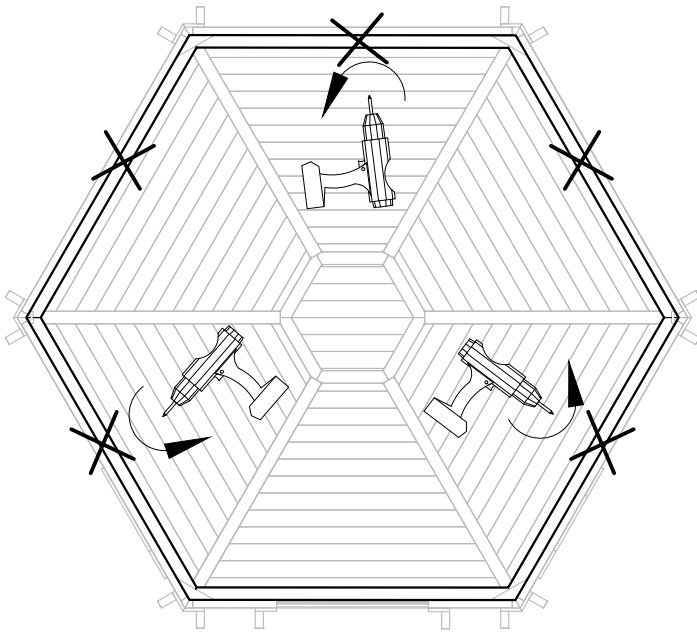


① x12  
S-koja-954x705

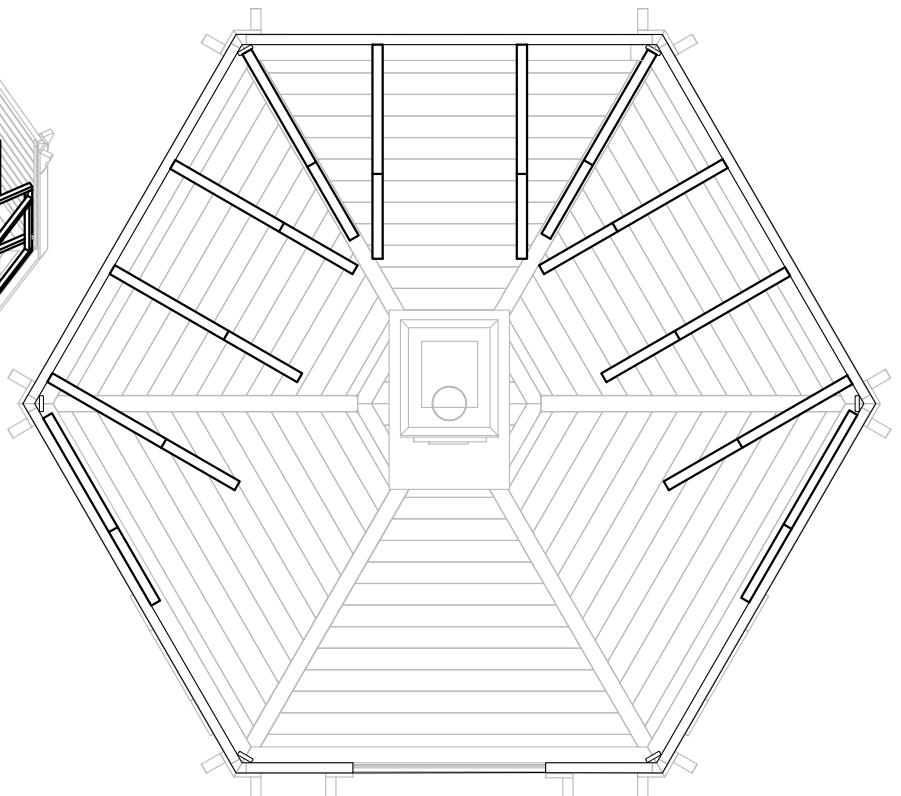
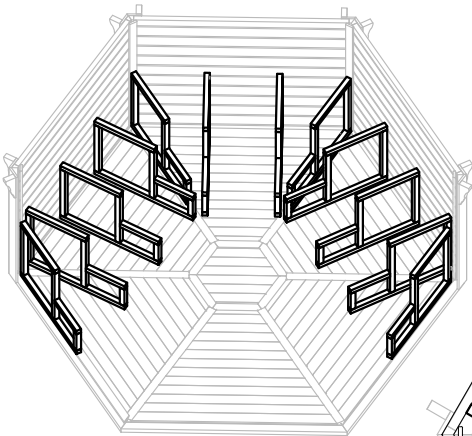


② x72  
T-GC-6x80

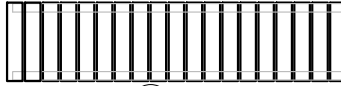
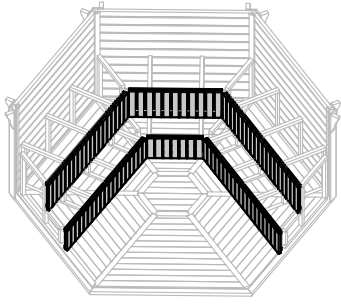
### 1 Step



### 2 Step



## 26.1 Sauna Cabin 9.2 SAUNA BENCHES



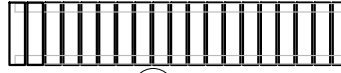
① x1

S9.2-gultas-1792x415-(k)



② x1

S9.2-gultas-1792x415-(d)



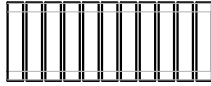
③ x1

S9.2-gultas-1792x330-(k)



④ x1

S9.2-gultas-1792x330-(d)



⑤ x1

S9.2-gultas-1792x330-(d)



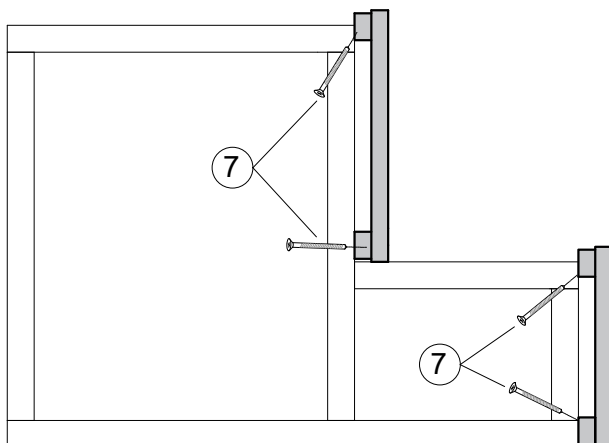
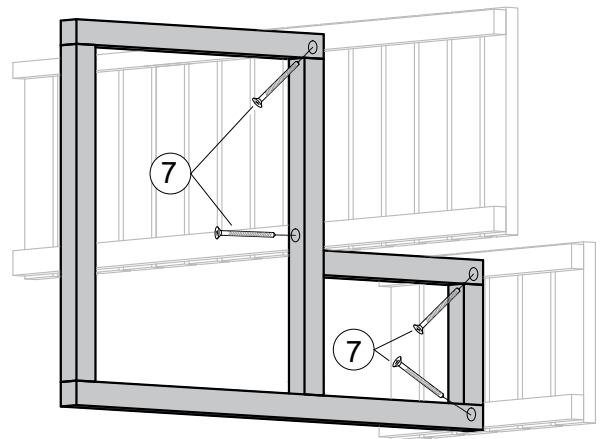
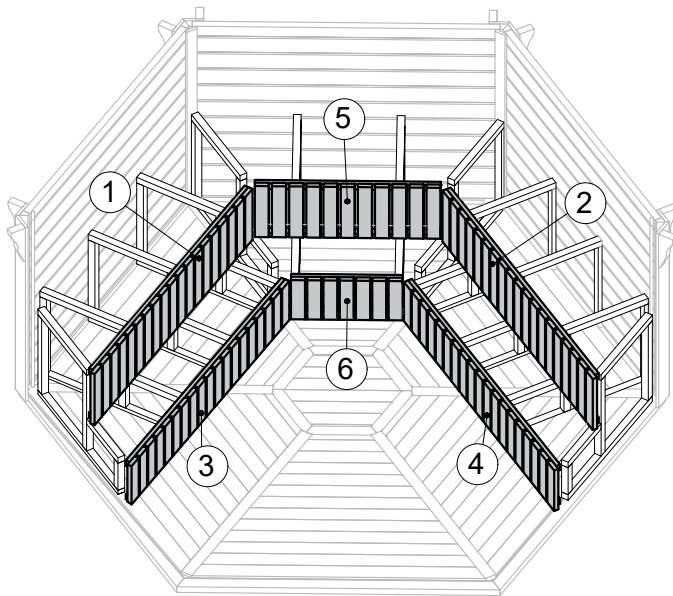
⑥ x1

S9.2-gultas-1792x330-(d)

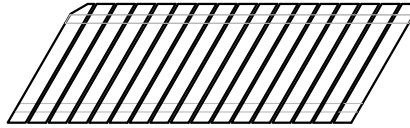
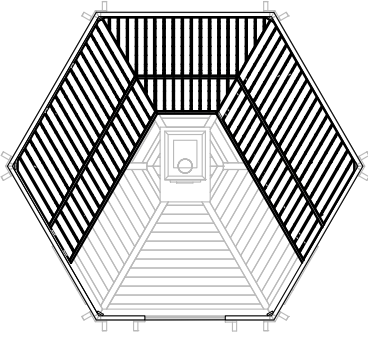


⑦ x24

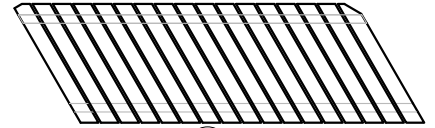
T-GC-5x80



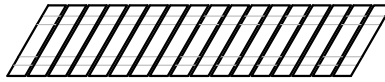
## 26.2 Sauna Cabin 9.2 SAUNA BENCHES



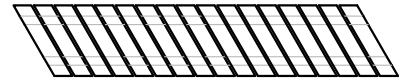
① x1  
S9.2-gultas-2168x628-(k)



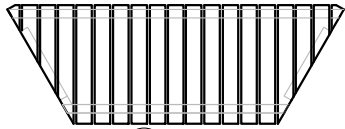
② x1  
S9.2-gultas-2168x628-(d)



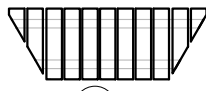
③ x1  
S9.2-gultas-2034x374-(k)



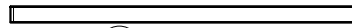
④ x1  
S9.2-gultas-2034x374-(d)



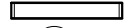
⑤ x1  
S9.2-gultas-1780x628



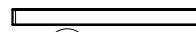
⑥ x1  
S9.2-gultas-1081x415



⑦ x4  
Mpl-28x82x1841-F



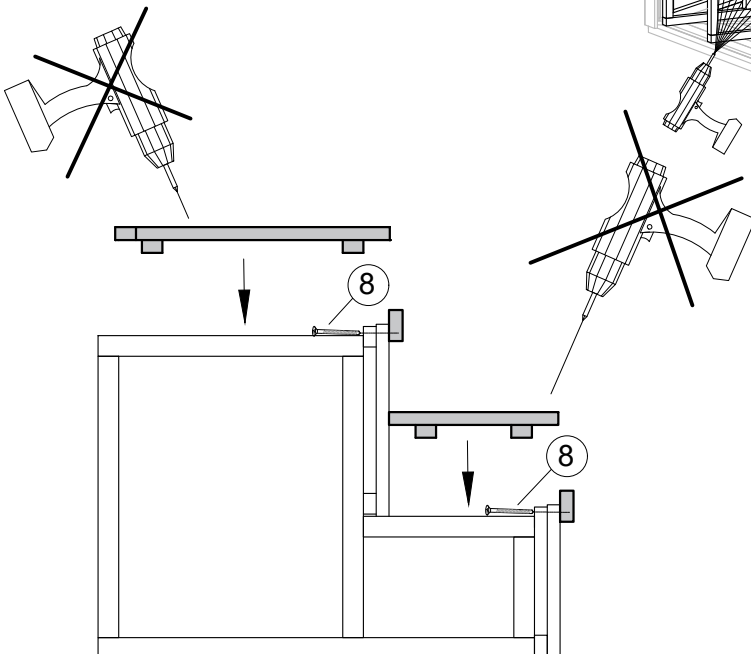
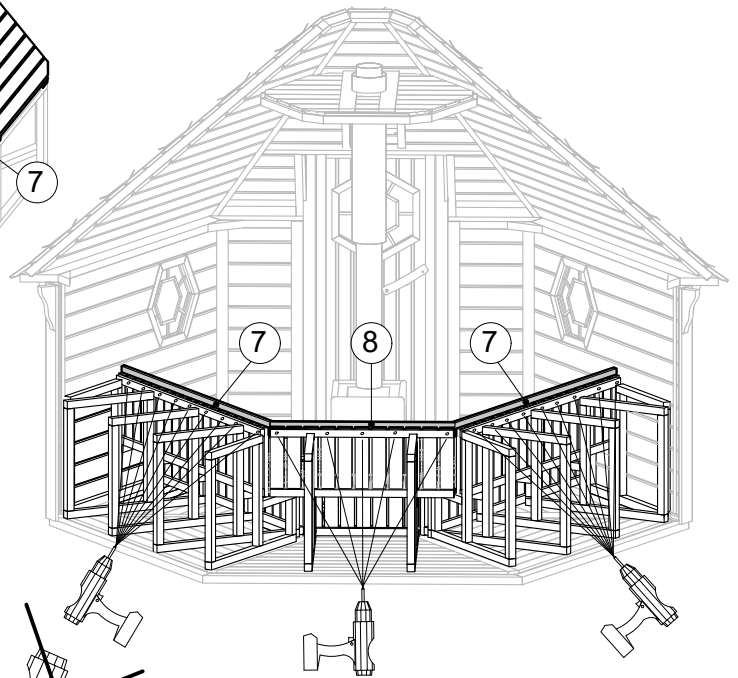
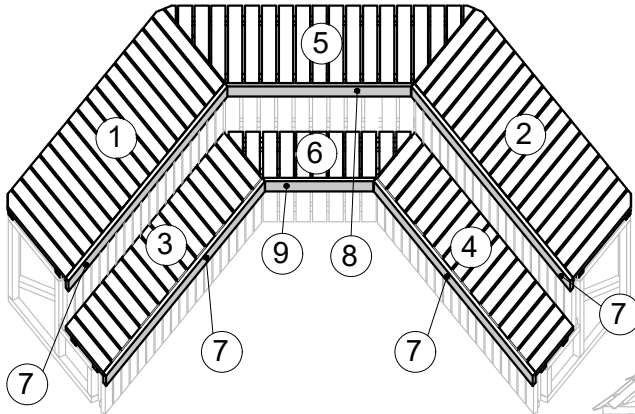
⑨ x1  
Mpl-28x82x654-F



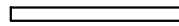
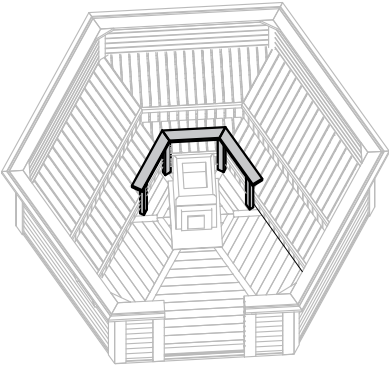
⑧ x1  
Mpl-28x82x1086-F



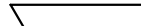
⑩ x50  
T-GC-5x80



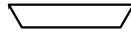
## 27. Sauna Cabin 9.2 SAFETY FENCE FOR THE HEATER



① x4  
M-45x70x900



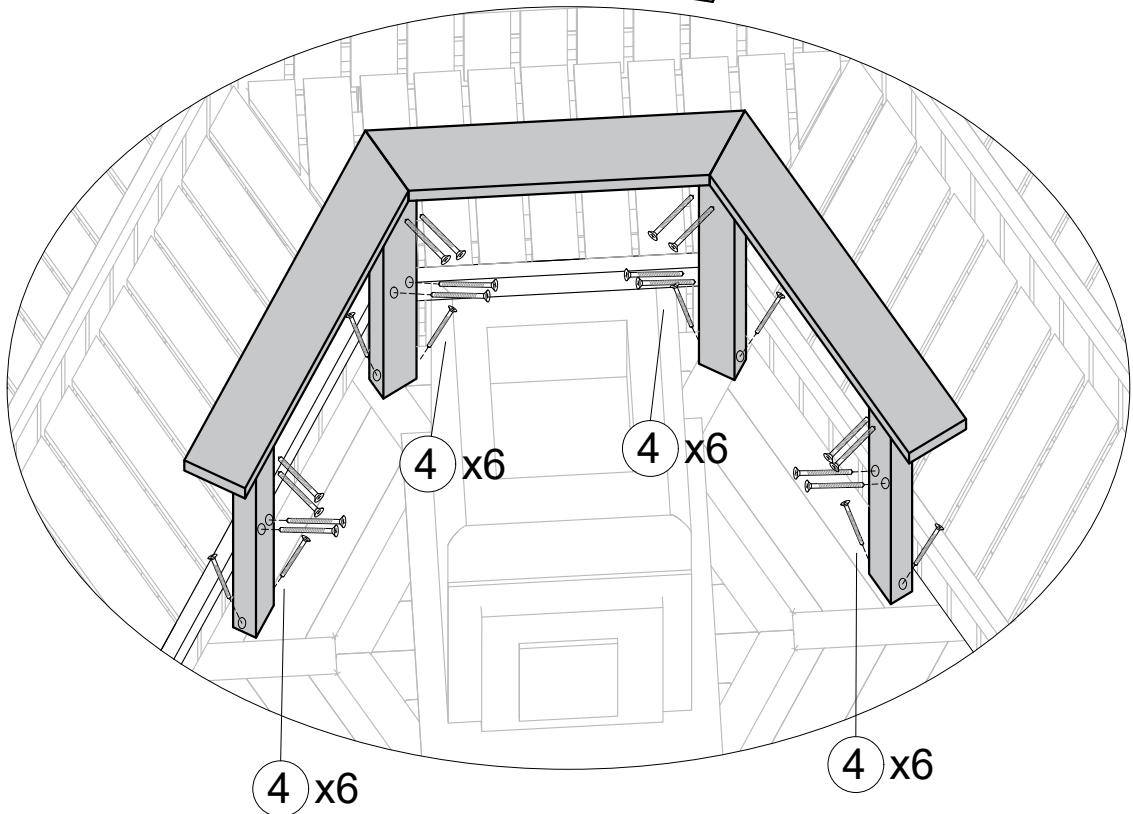
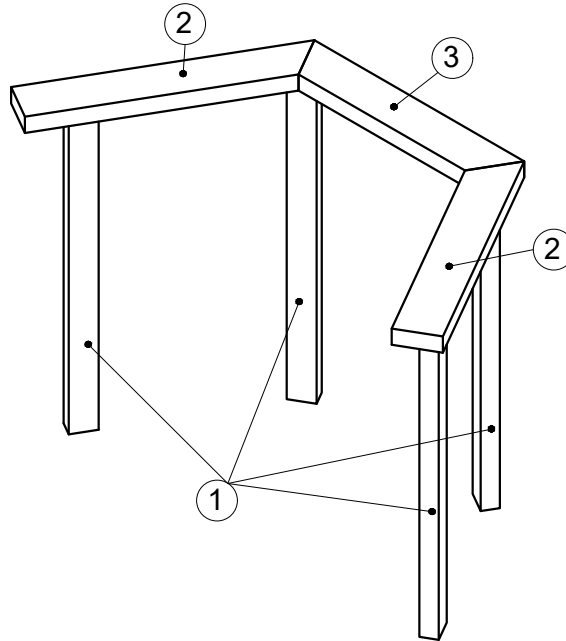
② x2  
M-45x120x710-F



③ x1  
M-45x120x670-F

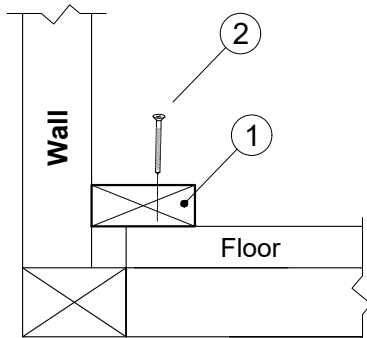
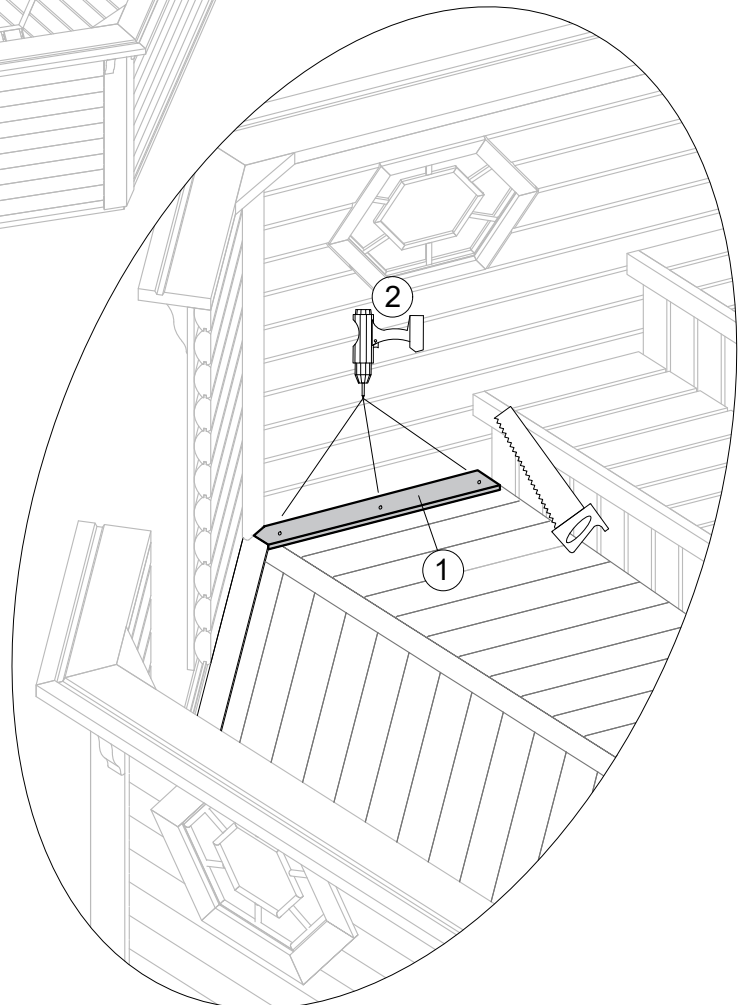
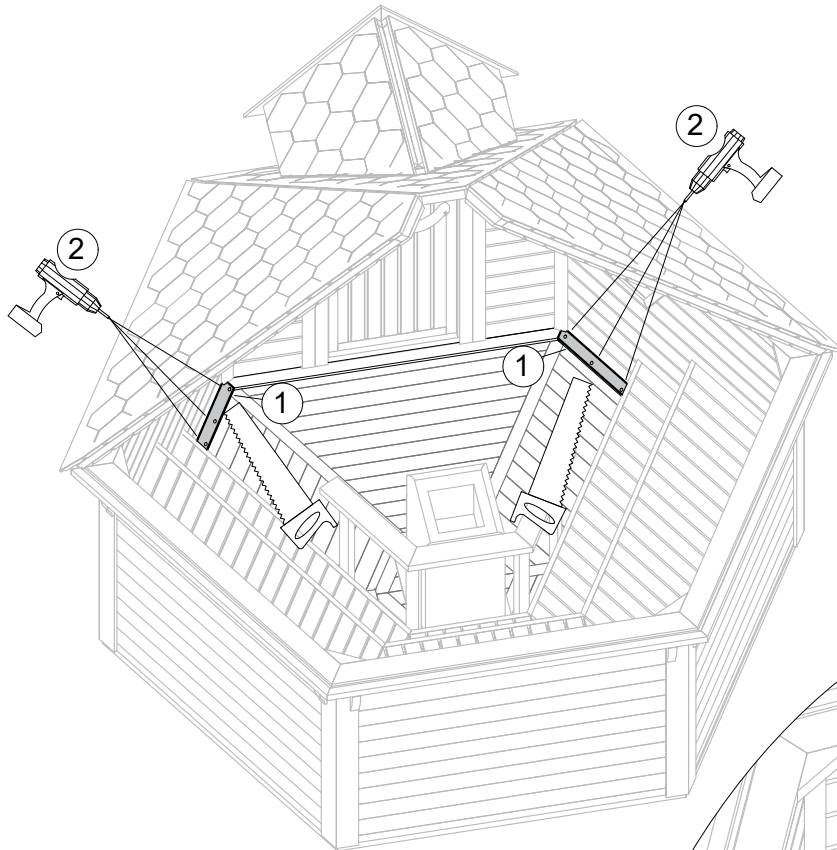
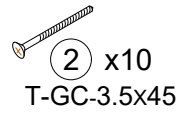
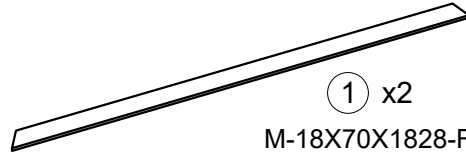
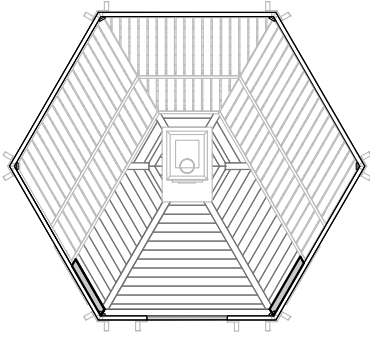


④ x20  
T-GC-5x80



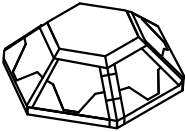
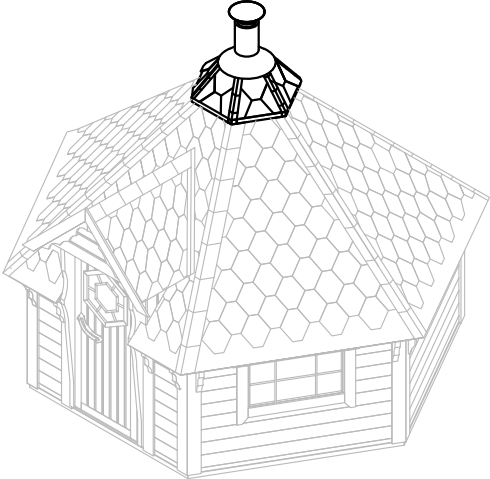


## 28. Sauna Cabin 9.2 INSIDE FINISHING BOARD





# 29. Sauna Cabin 9.2 ROOF HAT

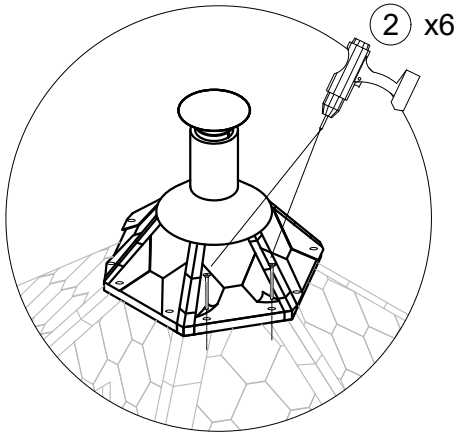
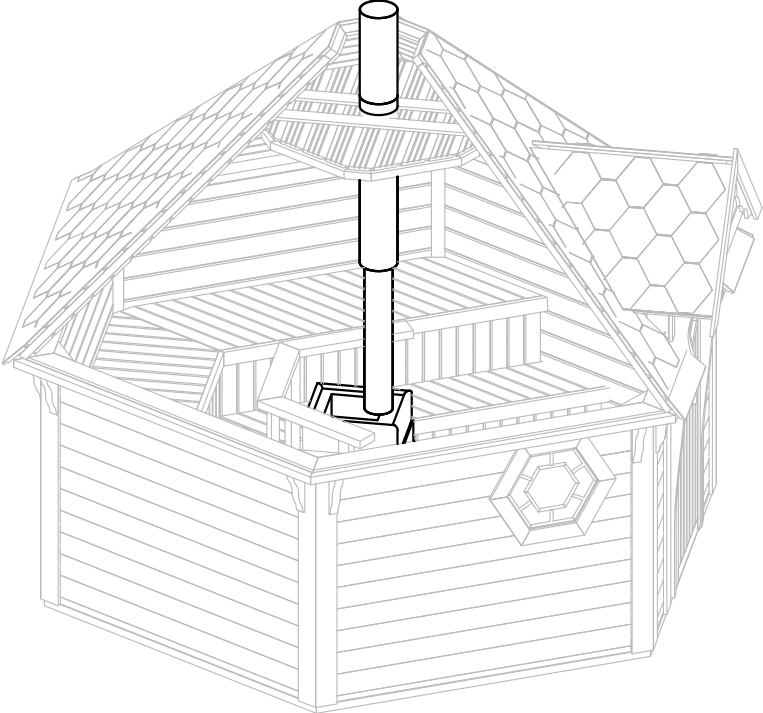
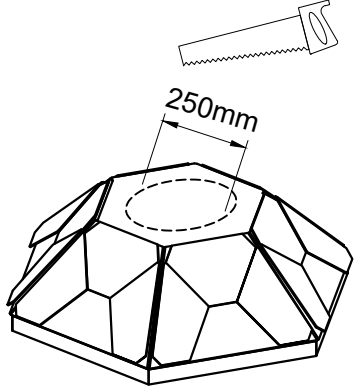
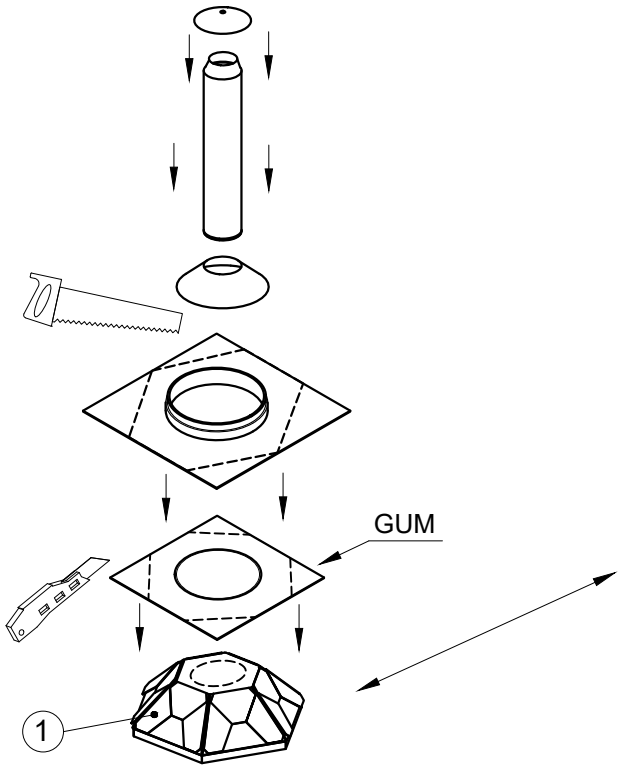


① x1  
GR6k-Kepure

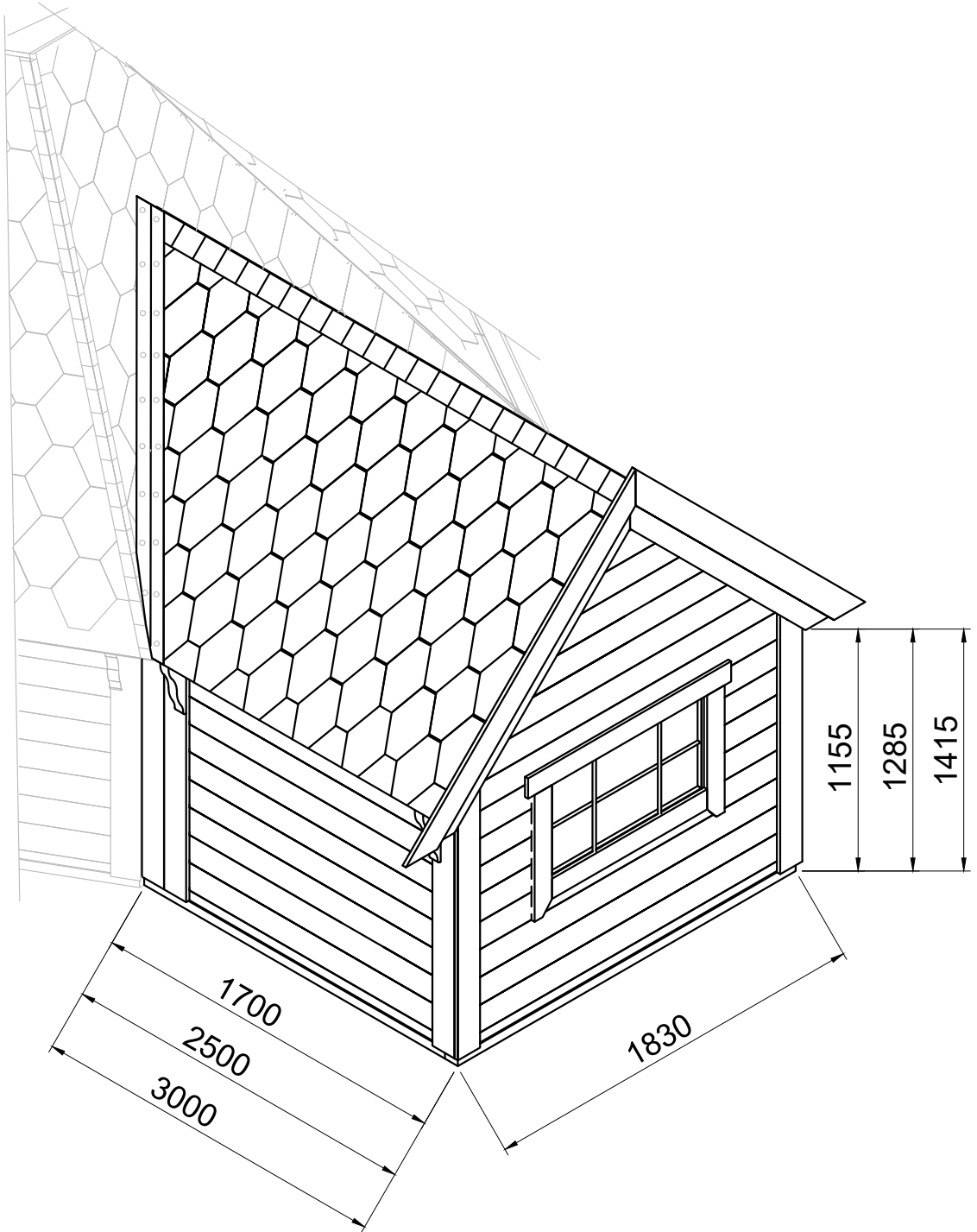


② x6  
T-GC-4x70

GR6k-Kepures-dangtis

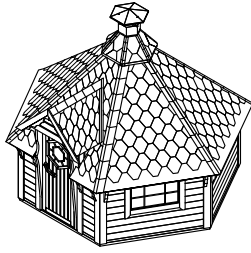


**EXTENSION (3m<sup>2</sup>); (4.3m<sup>2</sup>); (5.2m<sup>2</sup>)**

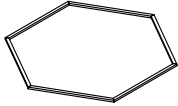


# Stages of assembly

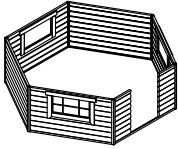
Grill



**1. Step:**  
wood ring



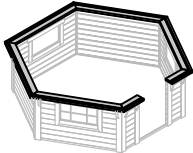
**2. Step:**  
walls



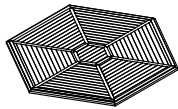
**3. Step:**  
decoration (support)



**4. Step:**  
roof support ring



**5. Step:**  
floors



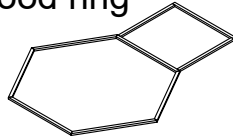
**6. Step:**  
roof



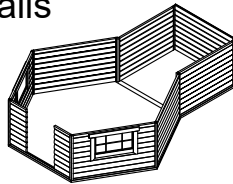
Grill+Extension



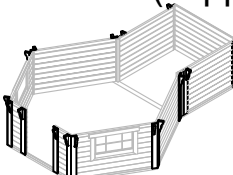
**1. Step:**  
wood ring



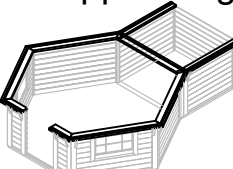
**2. Step:**  
walls



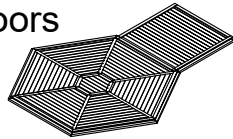
**3. Step:**  
decoration (support)



**4. Step:**  
roof support ring



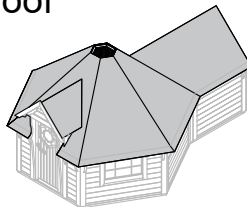
**5. Step:**  
floors



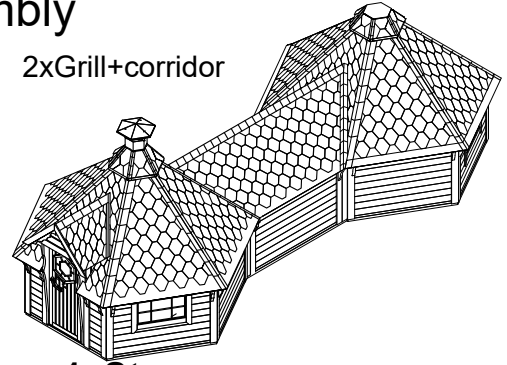
**6. Step:**  
inside wall



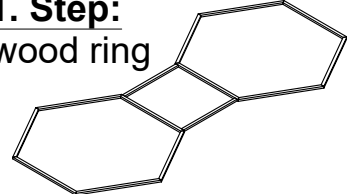
**7. Step:**  
roof



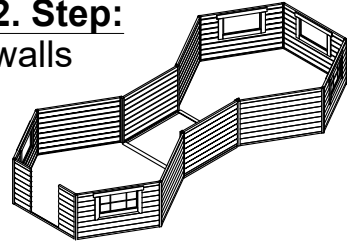
2xGrill+corridor



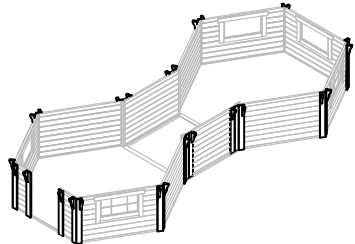
**1. Step:**  
wood ring



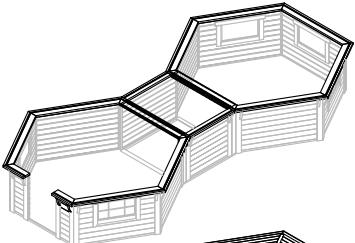
**2. Step:**  
walls



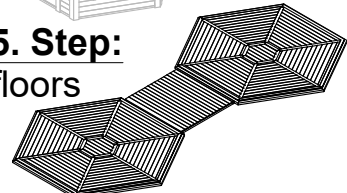
**3. Step:**  
decoration (support)



**4. Step:**  
roof support ring



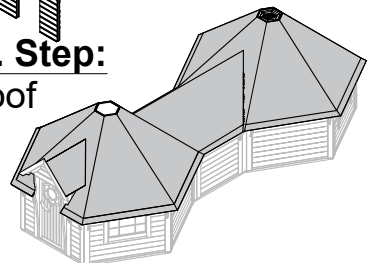
**5. Step:**  
floors



**6. Step:**  
inside wall



**7. Step:**  
roof



## Extension Foundation

It is very important to have a proper foundation.

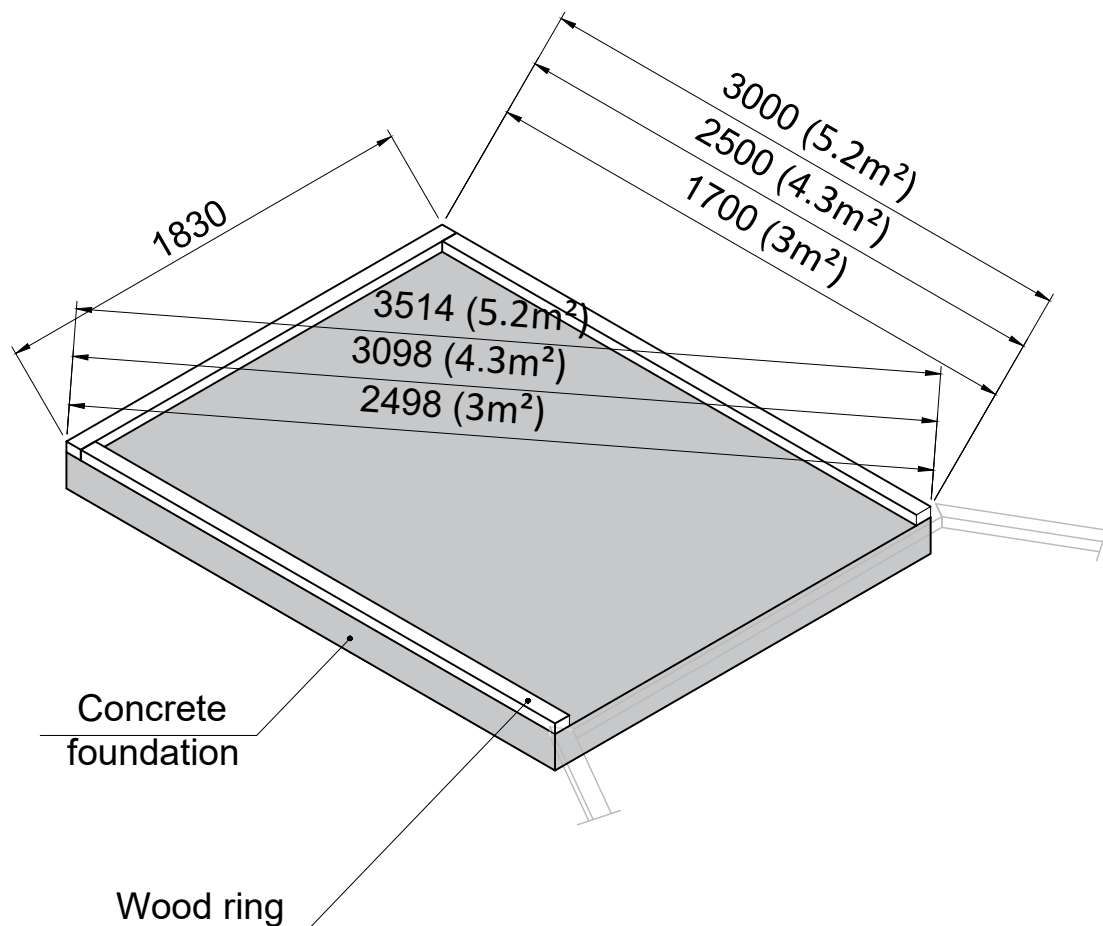
Therefore we recommend making the foundation according to the sketches here. First of all, foundation must be prepared according to the landscape and ground conditions.

The foundation under the product must be prepared specially, it must be homogeneous, tight and equal. It must be ensured that it will not change its properties. We recommend using concrete foundation. Before installation of product, we recommend to make hydro isolation of foundation.

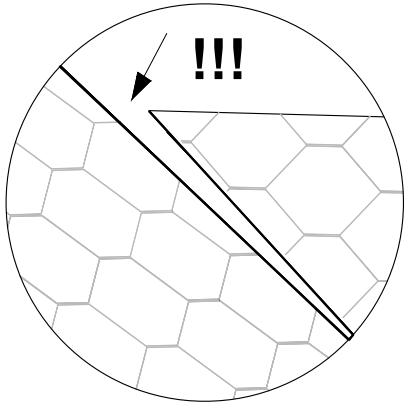
Consult a local qualified builder or an engineer to prepare a proper foundation, which fits to your location.

Due to improper foundation, cracks in the structures may occur. Due to uneven product seating, the geometric shape of the product may change, which can result in door / window twist, or/and gap may appear. And in the worst case product 's collapse.

If you do not follow recommendation, product will lose its warranty.

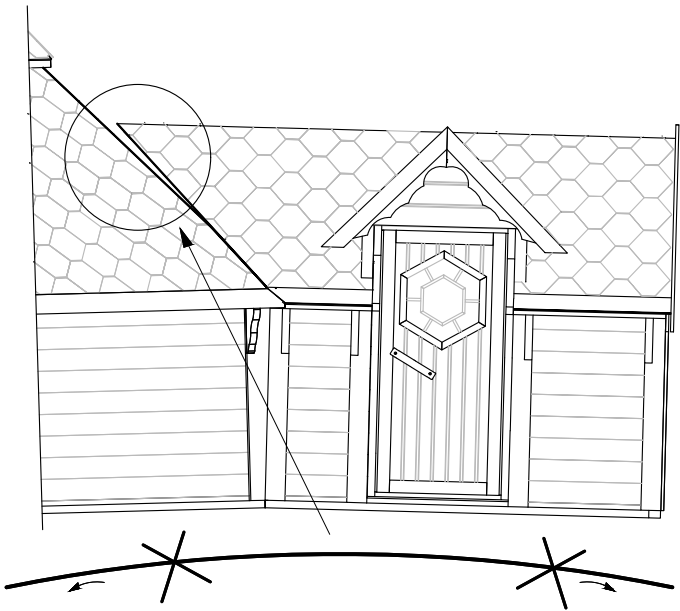


# ATTENTION !!!

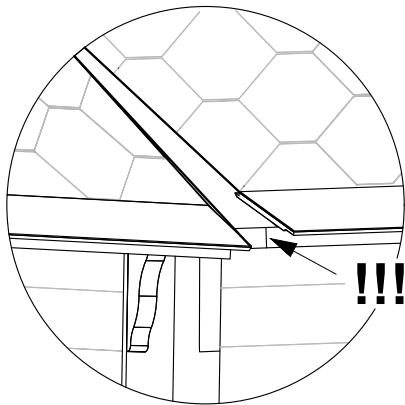


BAD  
foundation →

GOOD  
foundation →

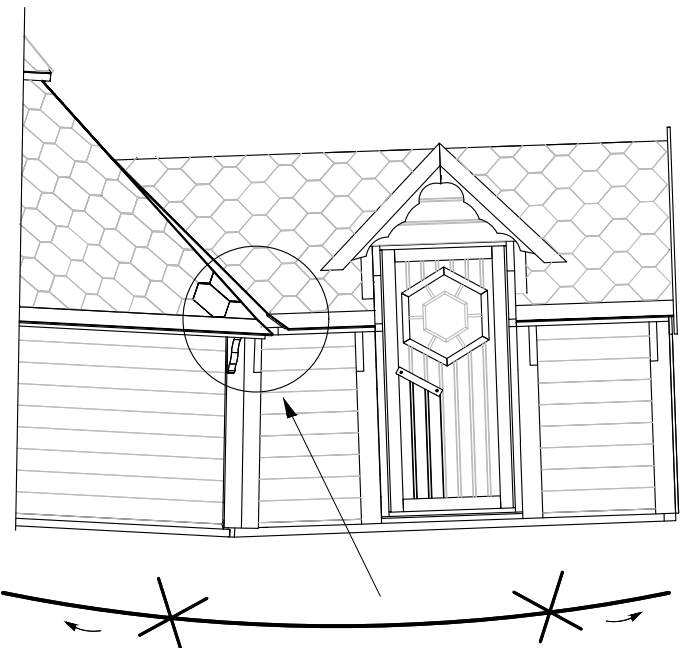


=180°



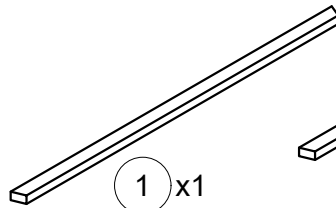
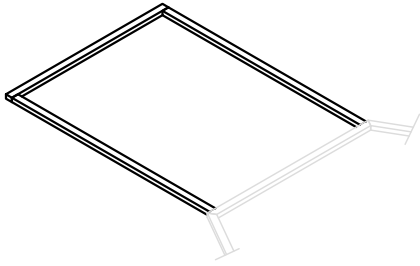
BAD  
foundation →

GOOD  
foundation →

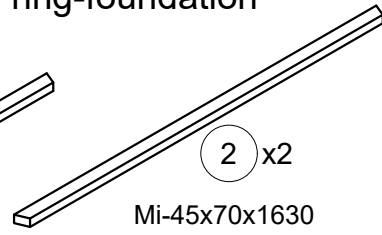


=180°

# Extension Wood ring-foundation



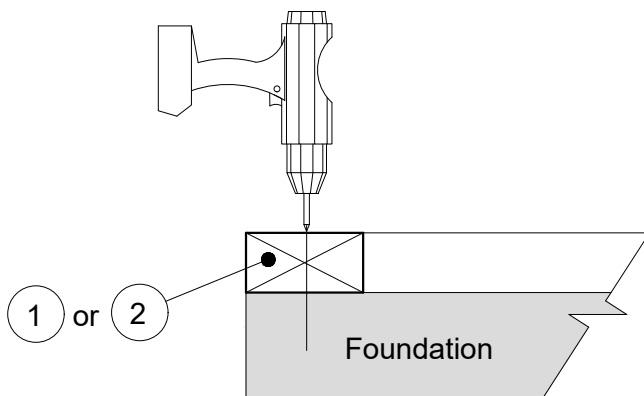
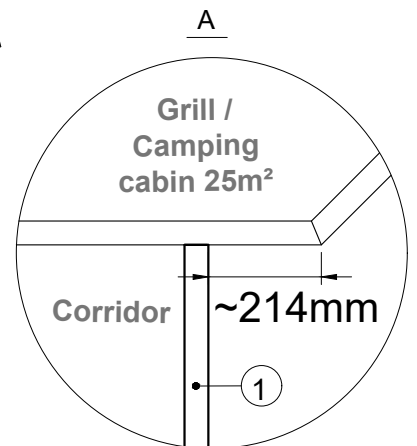
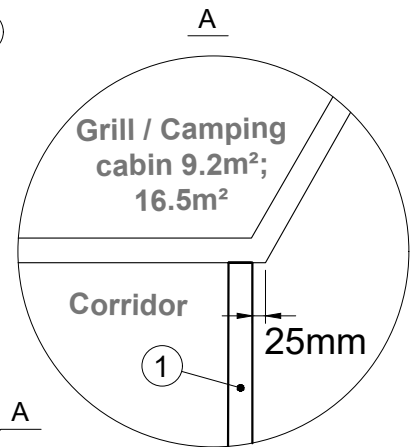
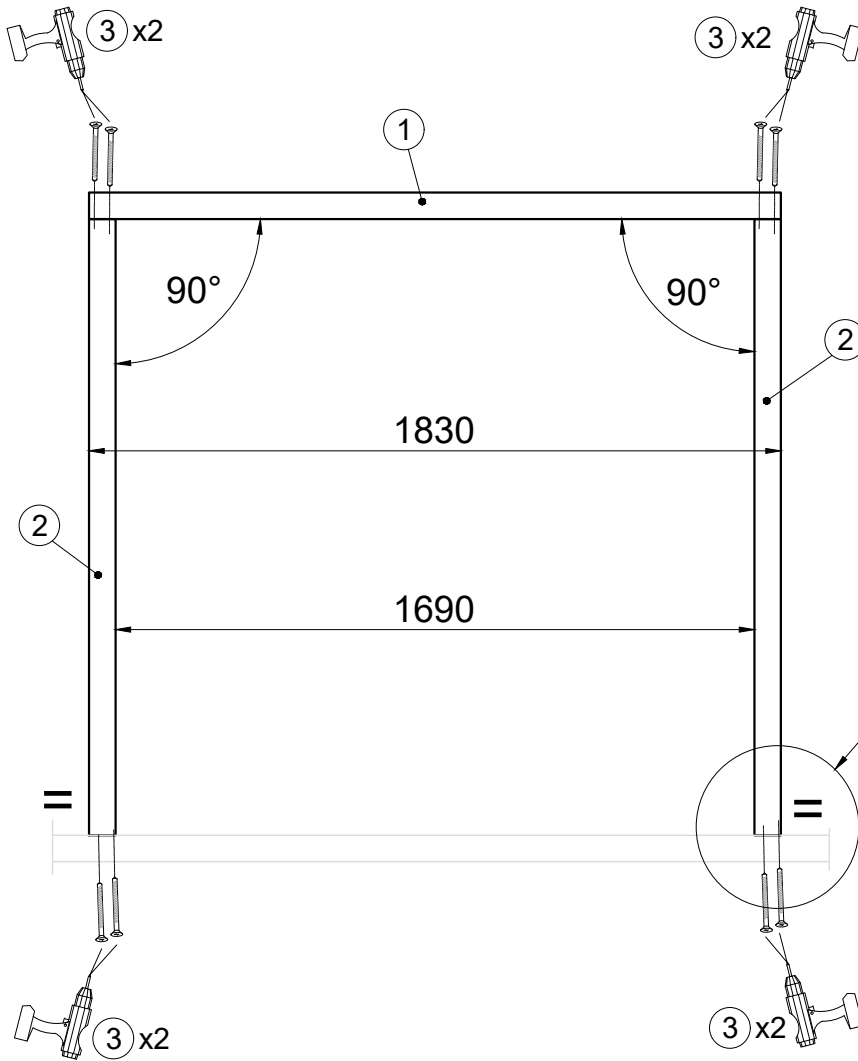
① x1  
Mi-45x70x1830



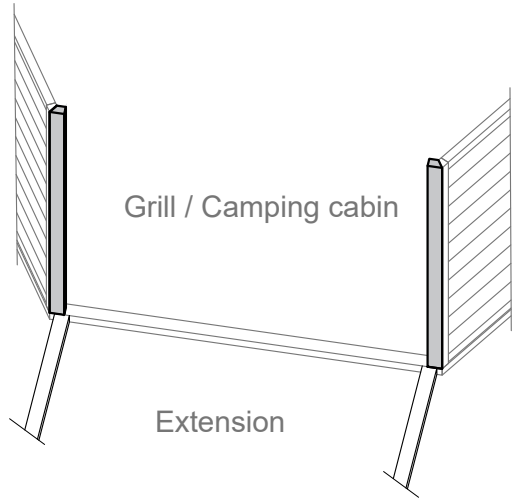
② x2  
Mi-45x70x1630  
or  
Mi-45x70x2430  
or  
Mi-45x70x2930



③ x8  
T-GC-5x100



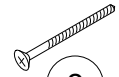
# 1. Extension WALLS CONNECTION



① x2

M-45x70x1155-1x30F  
or  
M-45x70x1155-1x22.5F

M-45x70x1285-1x30F  
or  
M-45x70x1285-1x22.5F  
or  
M-45x70x1415-1x30F  
or  
M-45x70x1415-1x22.5F



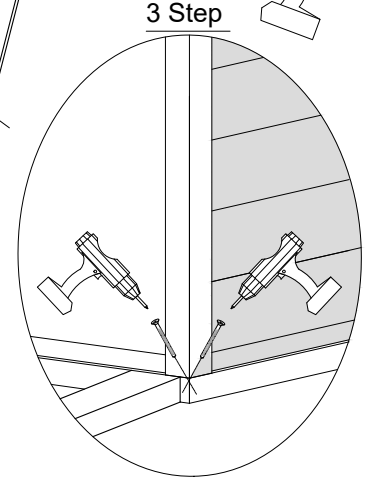
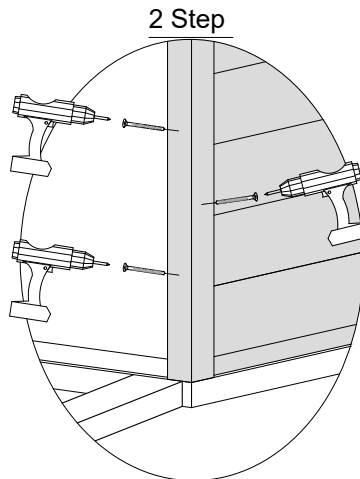
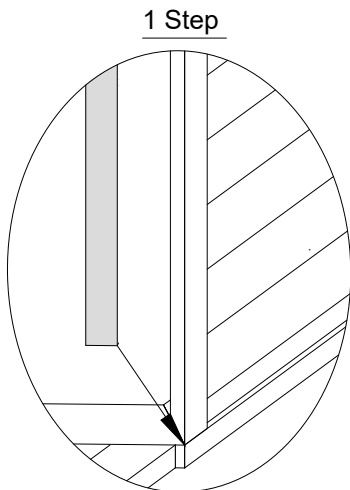
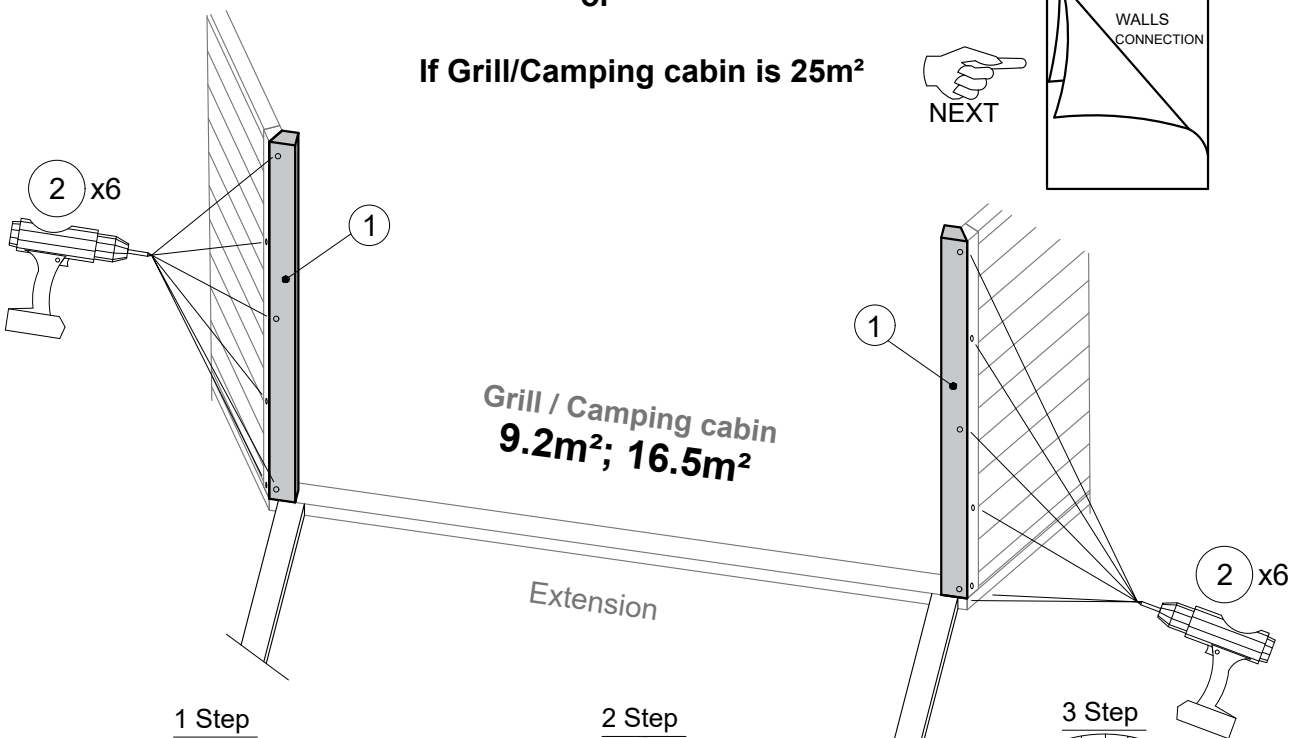
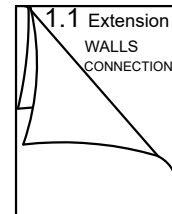
② x12

T-GC-5x100

**M-45x70x1155-1x30F**  
**M-45x70x1285-1x30F** - if Grill/Camping cabin is 9.2m<sup>2</sup>  
**M-45x70x1415-1x30F**  
 or  
**M-45x70x1155-1x22.5F**  
**M-45x70x1285-1x22.5F** - if Grill/Camping cabin is 16.5m<sup>2</sup>  
**M-45x70x1415-1x22.5F**

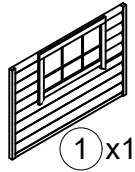
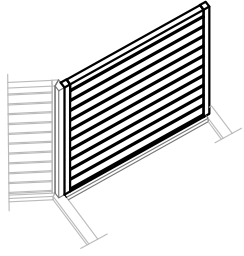
or

**If Grill/Camping cabin is 25m<sup>2</sup>**

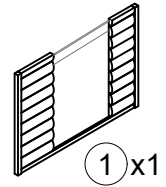




# 1.1 Extension WALLS CONNECTION

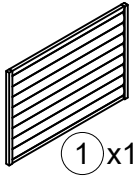


or

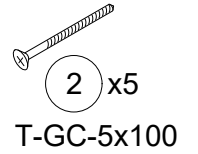
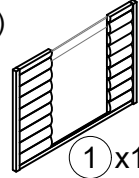


GR-EX-SSL-1155x1655(2455;2955)  
or  
GR-EX-SSL-1285x1655(2455;2955)  
or  
GR-EX-SSL-1415x1655(2455;2955)

GR-EX-SSD-1285x1655(2455;2955)-A1070-(k)  
or  
GR-EX-SSD-1415x1655(2455;2955)-A1070-(k)



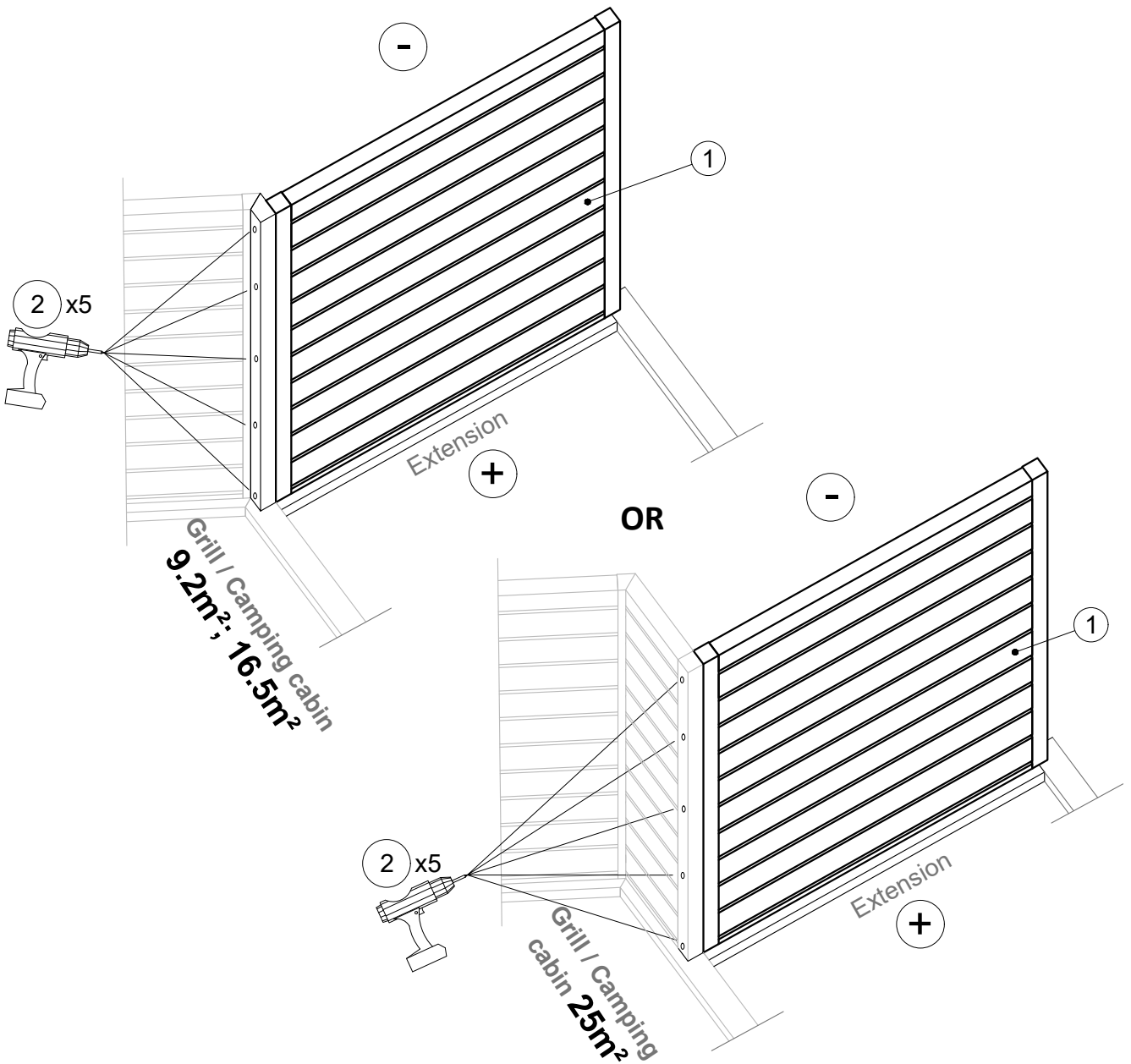
or



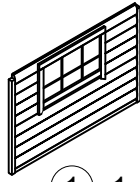
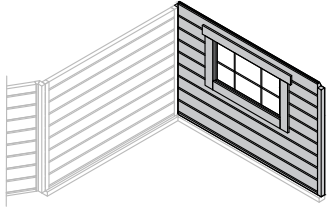
GR-EX-SS-1155x1655(2455;2955)  
or  
GR-EX-SS-1285x1655(2455;2955)  
or  
GR-EX-SS-1415x1655(2455;2955)

GR-EX-SSD-1155x1655(2455;2955)-A850-(k)  
or  
GR-EX-SSD-1285x1655(2455;2955)-A850-(k)  
or  
GR-EX-SSD-1415x1655(2455;2955)-A850-(k)

T-GC-5x100

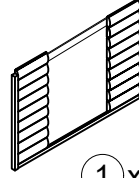


## 1.2 Extension WALLS CONNECTION

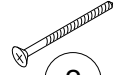


① x1

or



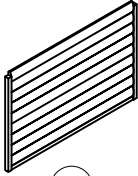
① x1



② x7

T-GC-5x100

or



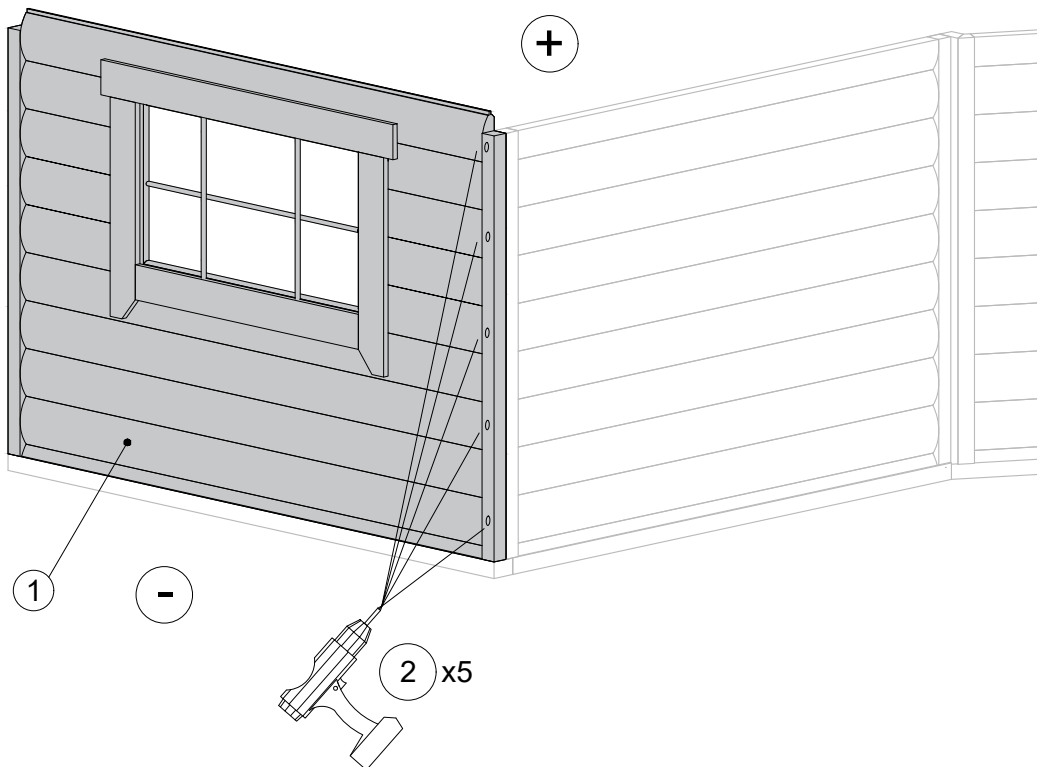
① x1

GR-EX-GS-1210x1830  
or  
GR-EX-GS-1340x1830  
or  
GR-EX-GS-1470x1830

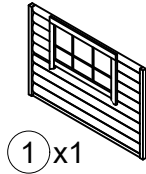
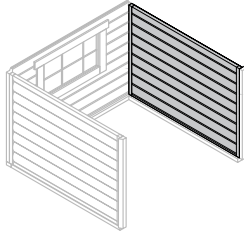
GR-EX-GSL-1210x1830  
or  
GR-EX-GSL-1340x1830  
or  
GR-EX-GSL-1470x1830

or

GR-EX-GSD-1210x1830-A796  
or  
GR-EX-GSD-1340x1830-A796  
or  
GR-EX-GSD-1340x1830-A1010  
or  
GR-EX-GSD-1470x1830-A796  
or  
GR-EX-GSD-1470x1830-A1010

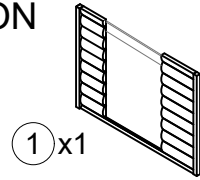


# 1.3 Extension WALLS CONNECTION



1 x1

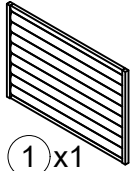
or



1 x1

GR-EX-SSL-1155x1655(2455;2955)  
or  
GR-EX-SSL-1285x1655(2455;2955)  
or  
GR-EX-SSL-1415x1655(2455;2955)

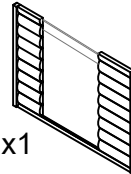
GR-EX-SSD-1285x1655(2455;2955)-A1070-(d)  
or  
GR-EX-SSD-1415x1655(2455;2955)-A1070-(d)



1 x1

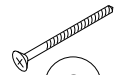
GR-EX-SS-1155x1655(2455;2955)  
or  
GR-EX-SS-1285x1655(2455;2955)  
or  
GR-EX-SS-1415x1655(2455;2955)

or



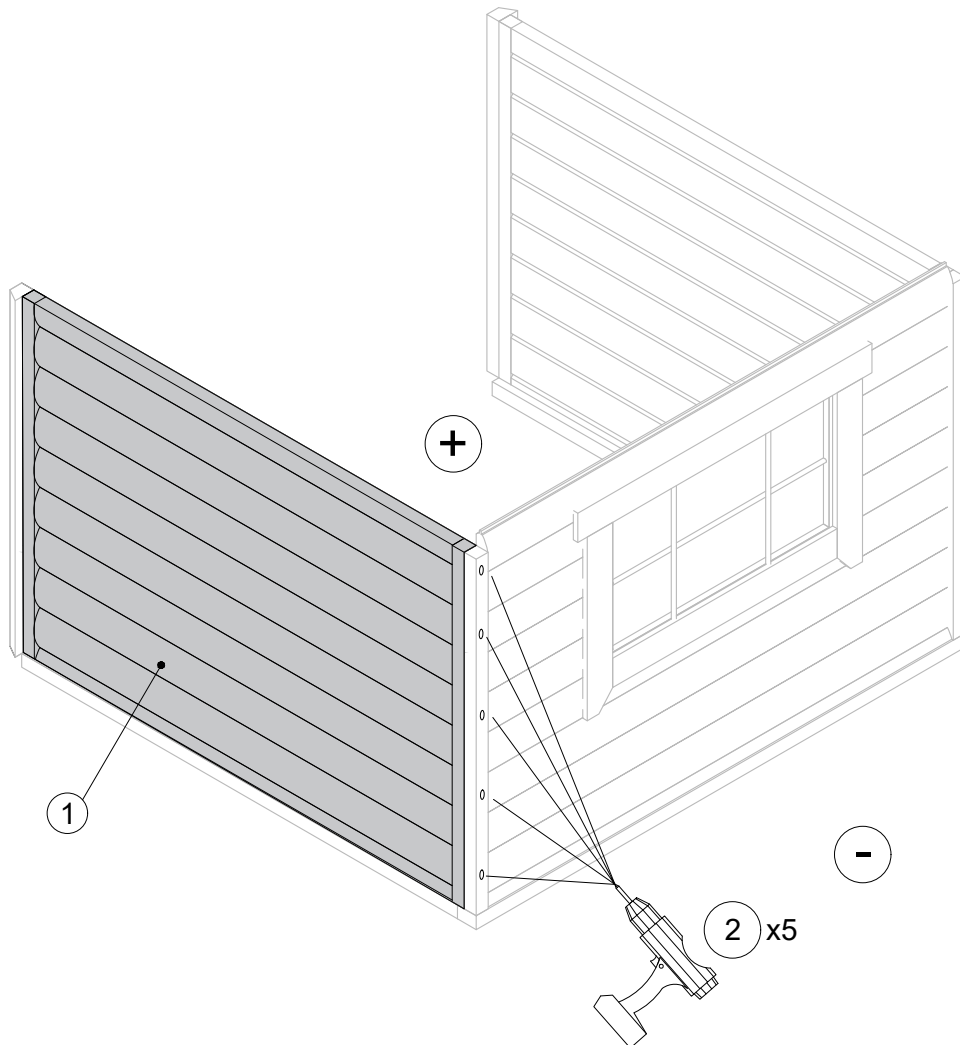
1 x1

GR-EX-SSD-1155x1655(2455;2955)-A850-(d)  
or  
GR-EX-SSD-1285x1655(2455;2955)-A850-(d)  
or  
GR-EX-SSD-1415x1655(2455;2955)-A850-(d)

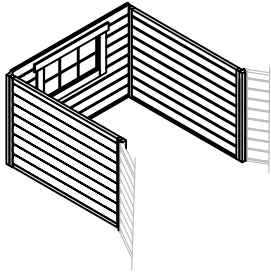


2 x5

T-GC-5x100



# 1.4 Extension WALLS CONNECTION



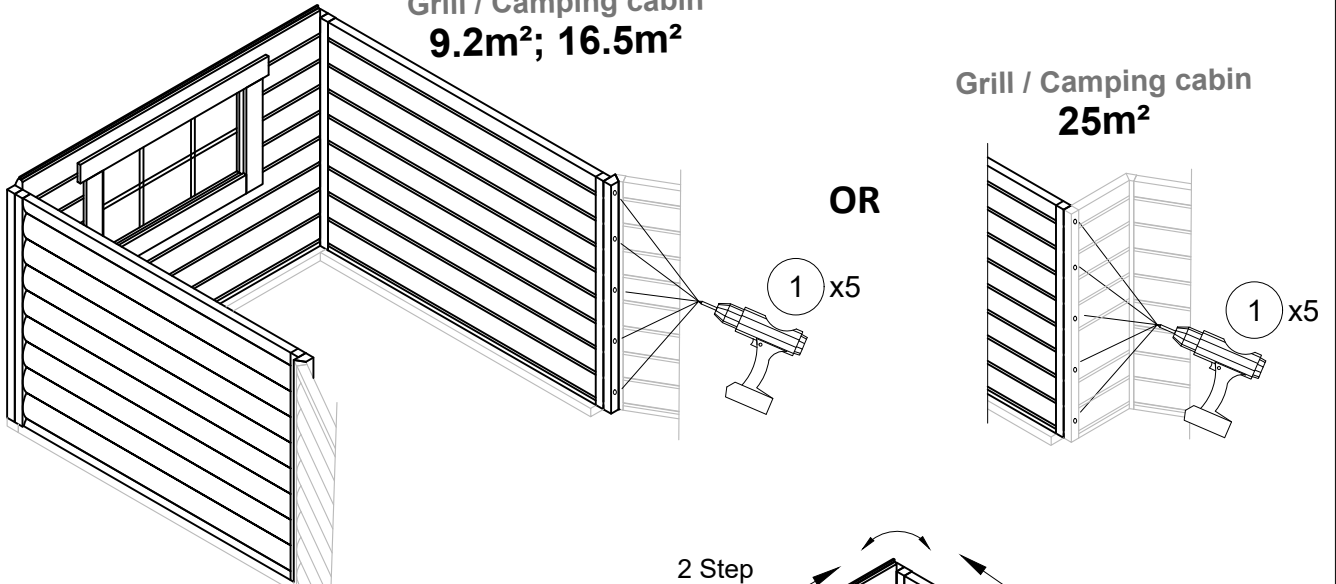
1 x11  
T-GC-5x100

1 Step

Grill / Camping cabin  
9.2m<sup>2</sup>; 16.5m<sup>2</sup>

Grill / Camping cabin  
25m<sup>2</sup>

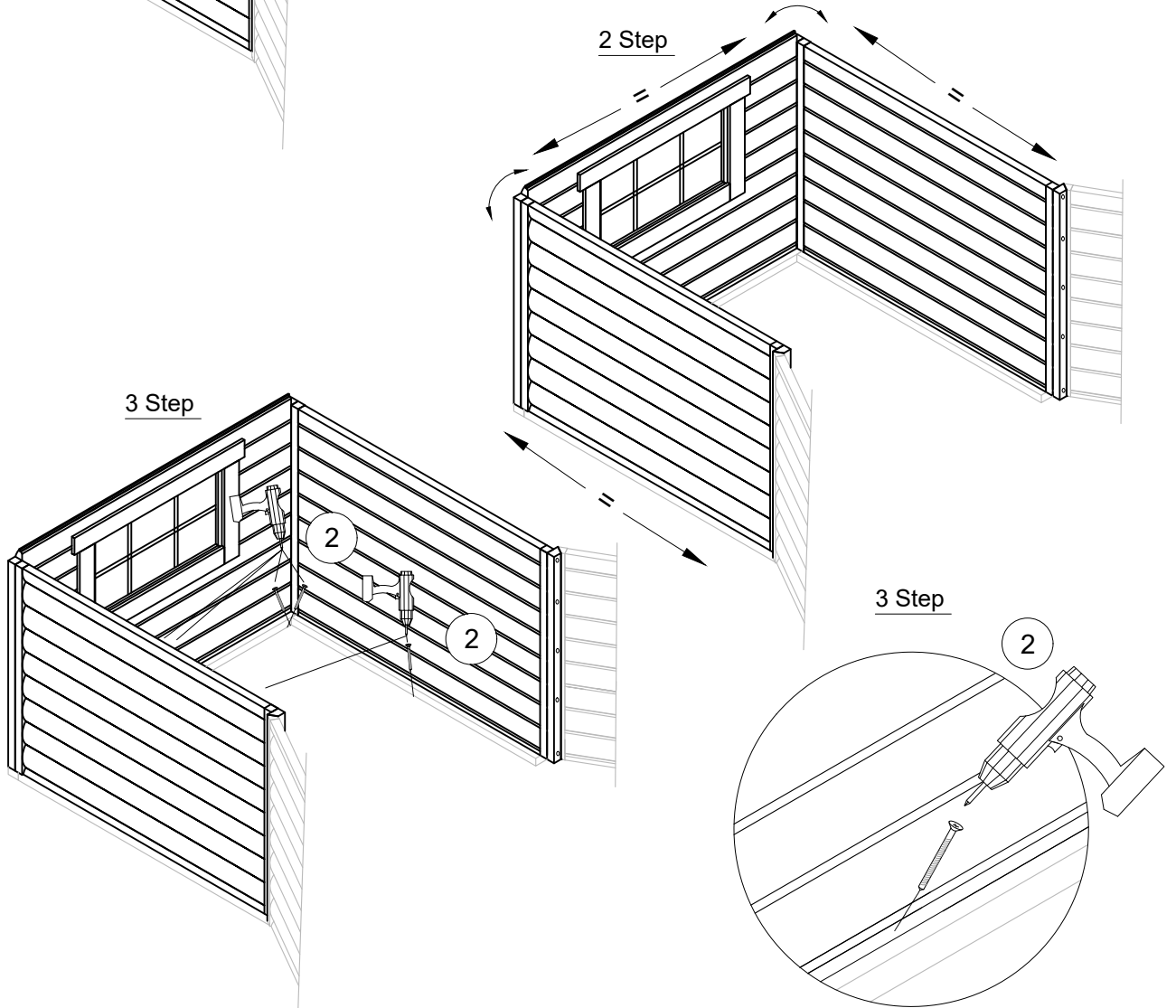
OR



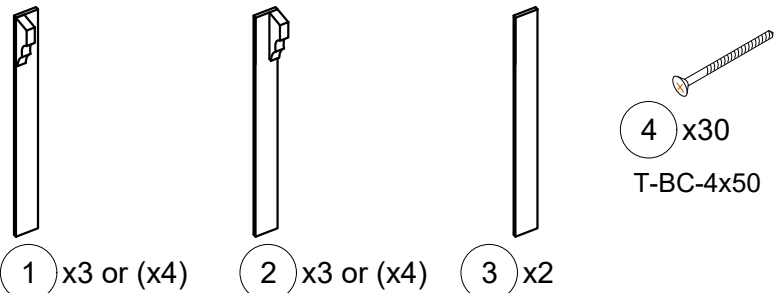
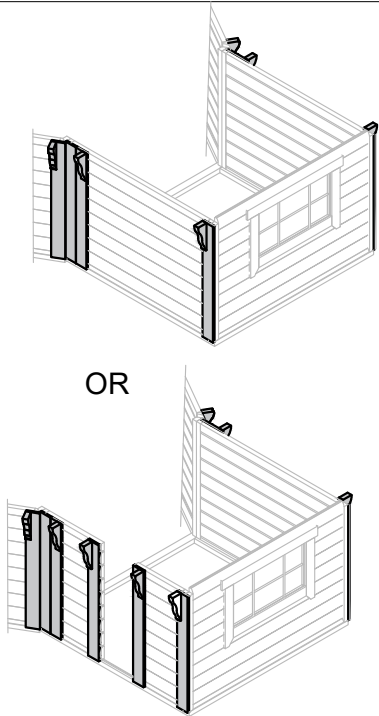
2 Step

3 Step

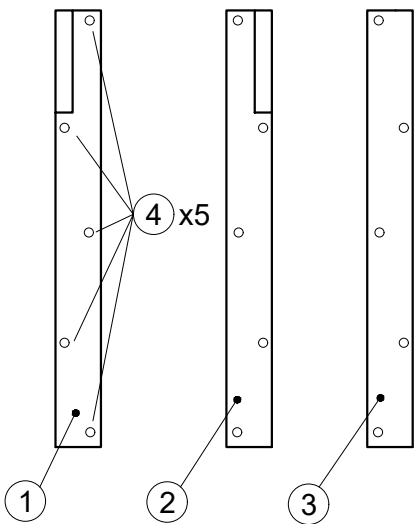
3 Step



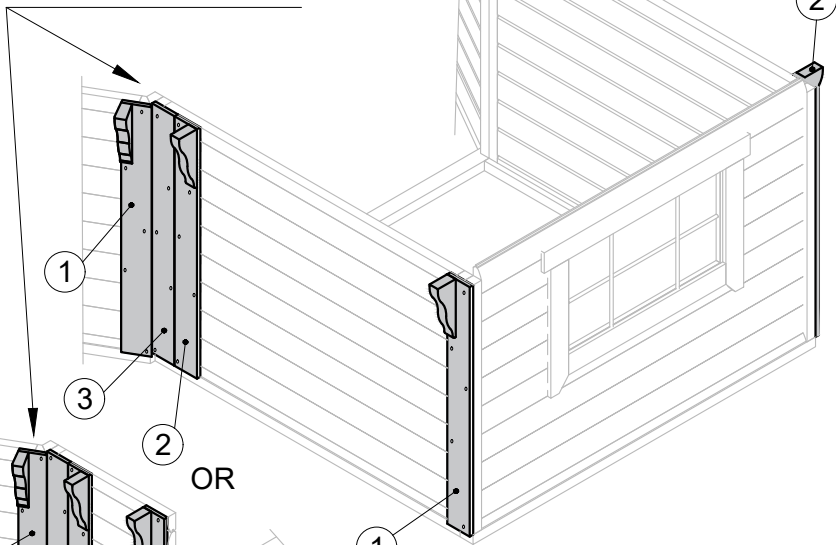
## 2. Extension DECORATION (SUPPORT) OUTSIDE



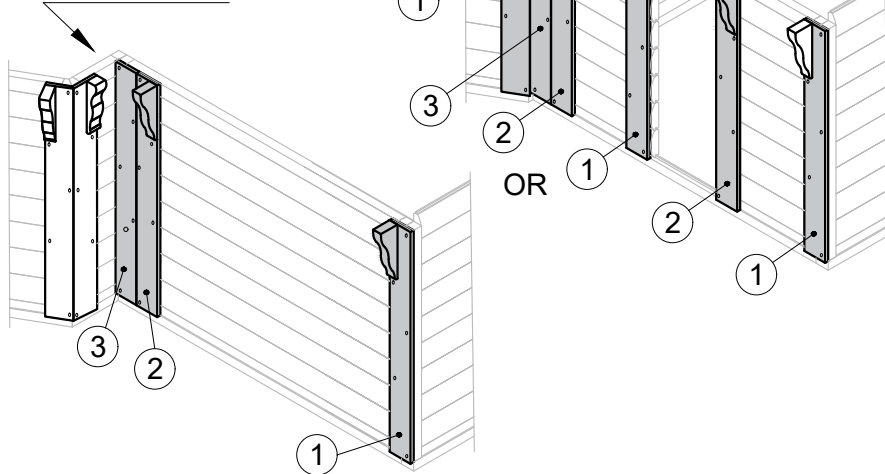
GR-Apd(k)-1155	GR-Apd(d)-1155	M-18x120-1155
or	or	or
GR-Apd(k)-1285	GR-Apd(d)-1285	M-18x120-1285
or	or	or
GR-Apd(k)-1415	GR-Apd(d)-1415	M-18x120-1415



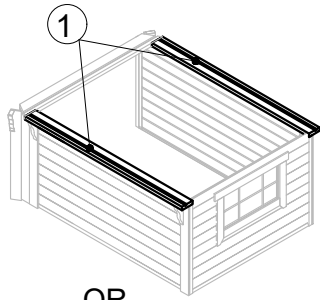
Grill / Camping cabin  
**9.2m<sup>2</sup>; 16.5m<sup>2</sup>**



Grill / Camping cabin  
**25m<sup>2</sup>**



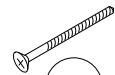
### 3. Extension ROOF SUPPORT RING



OR

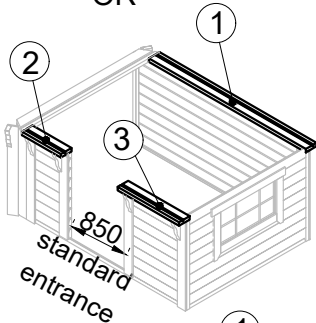
1 x2

M-45x160x1550-F  
or  
M-45x160x2350-F  
or  
M-45x160x2850-F



4 x22

T-GC-5x100



850  
standard  
entrance

1 x1

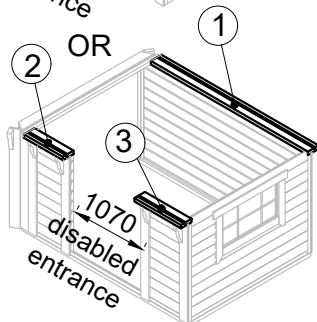
M-45x160x2350-F  
or  
M-45x160x2850-F

2 x1

M-45x160x583-F

3 x1

M-45x160x917-F  
or  
M-45x160x1417-F



OR

1070  
disabled  
entrance

1 x1

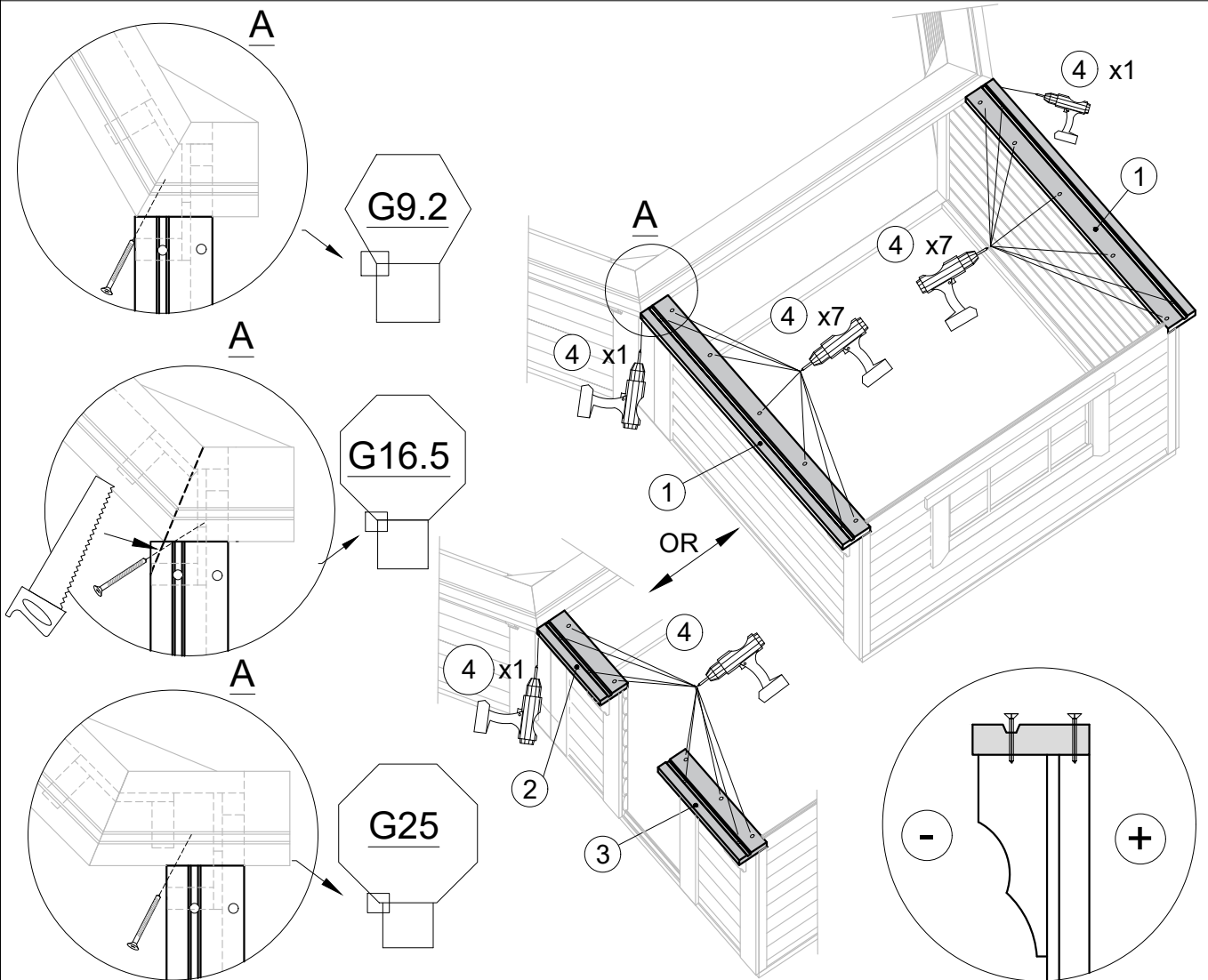
M-45x160x2350-F  
or  
M-45x160x2850-F

2 x1

M-45x160x583-F

3 x1

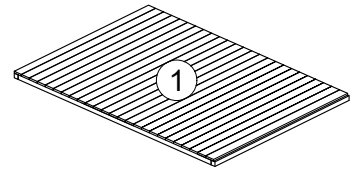
M-45x160x697-F  
or  
M-45x160x1197-F



## 4. Extension FLOORS

① x1

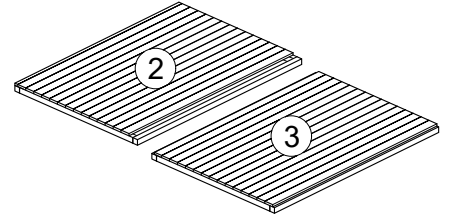
GR-EX3-Grind(Spunt)-1620x1680  
 or  
 GR-EX3-I-Grind(Spunt)-1620x1680  
 or  
 GR-EX4.3-Grind(Spunt)-2420x1680  
 or  
 GR-EX4.3-I-Grind(Spunt)-2420x1680



OR

② x1

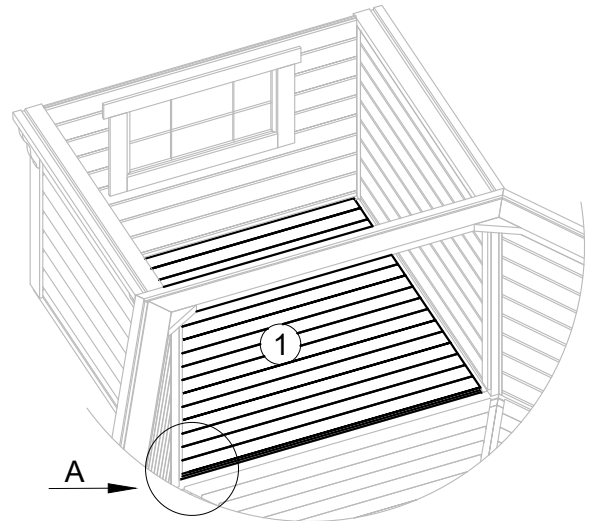
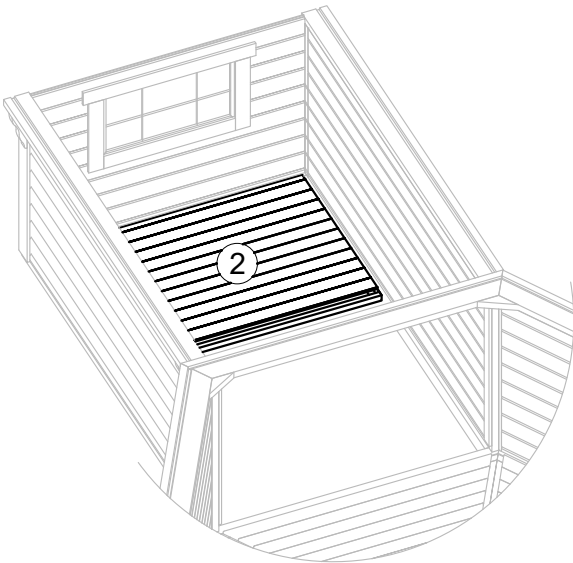
GR-EX5.2-Grind(Spunt)1-1460x1680  
 or  
 GR-EX5.2-I-Grind(Spunt)1-1460x1680



③ x1

GR-EX5.2-Grind(Spunt)2-1460x1680  
 or  
 GR-EX5.2-I-Grind(Spunt)2-1460x1680

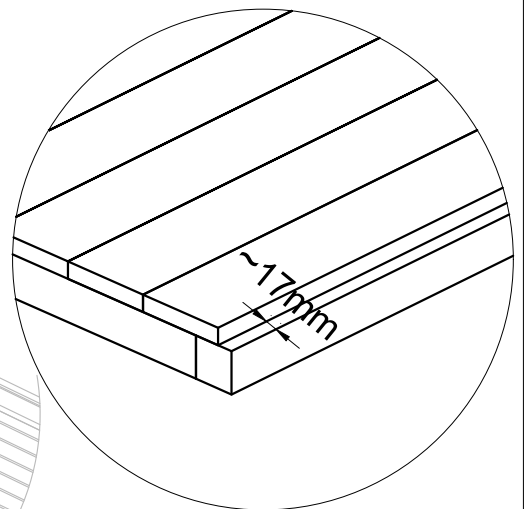
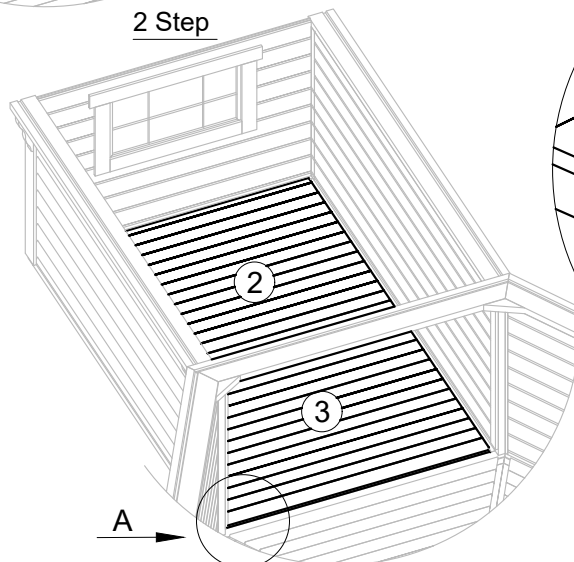
1 Step



OR

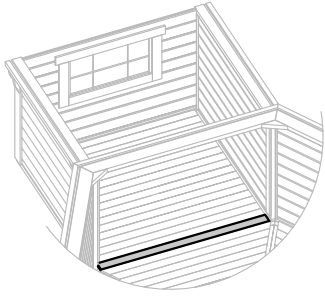
A

2 Step

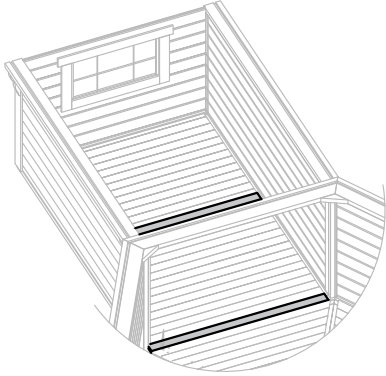




## 5. Extension FLOORS FINISHING BOARDS



OR

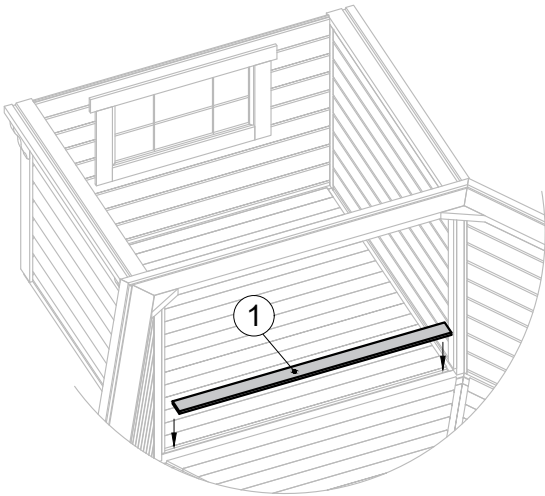


① x1 or (x2)

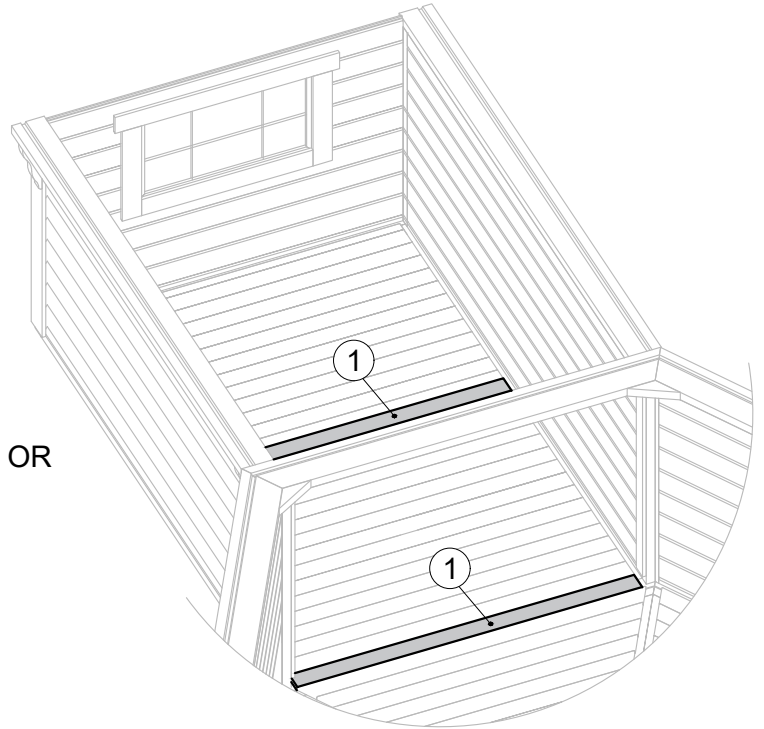
M-18x95x1680  
or  
Spunt-28x95x1680



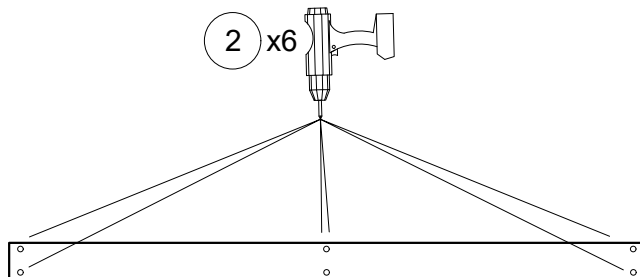
② x6 or (x12)  
T-GC-3.5x45

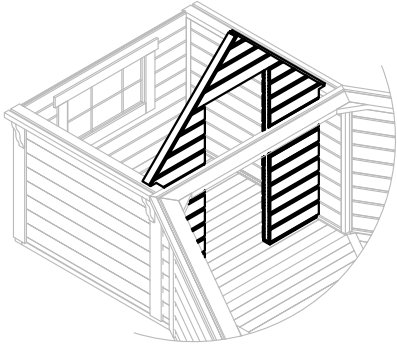


OR

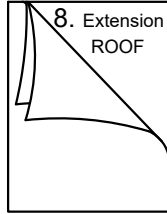
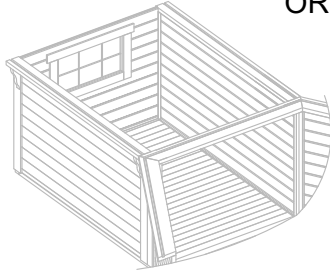


② x6

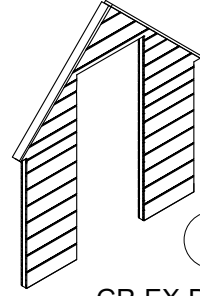




OR



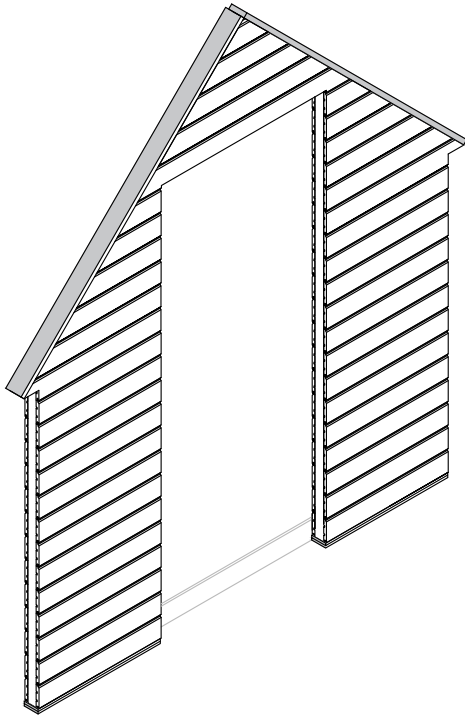
## 6. Extension INSIDE WALL



1 x1

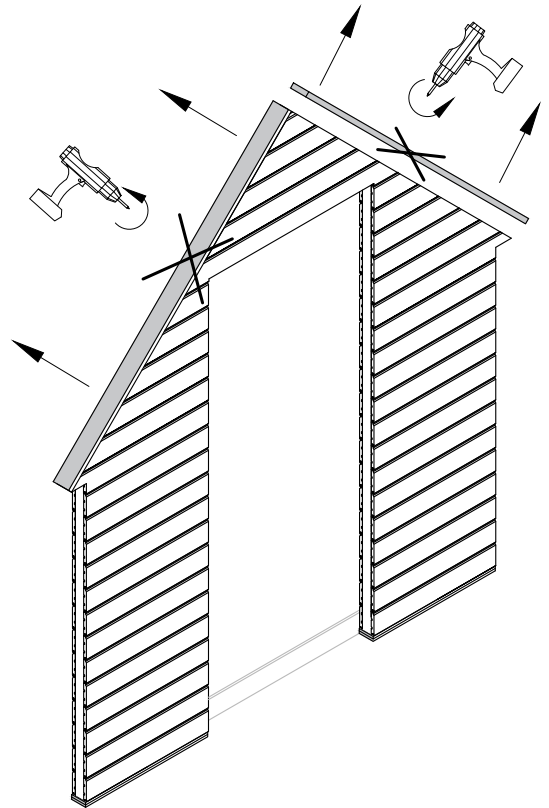
GR-EX-Pertv-1857x2093-A700  
or  
GR-EX-Pertv-1857x2223-A700  
or  
GR-EX-Pertv-1857x2223-A1010  
or  
GR-EX-Pertv-1857x2353-A700  
or  
GR-EX-Pertv-1857x2353-A1010

COLD  
ROOF

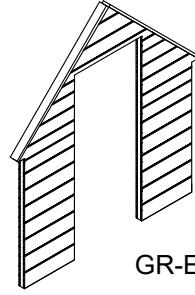
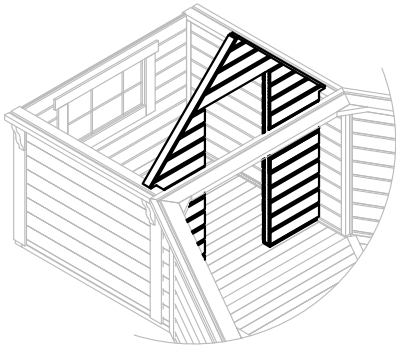


or

INSULATED  
ROOF

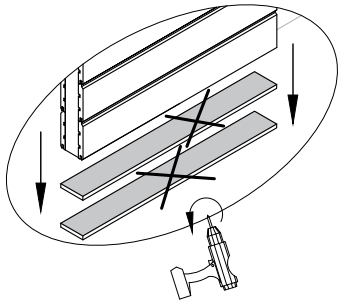



## 6.1 Extension INSIDE WALL



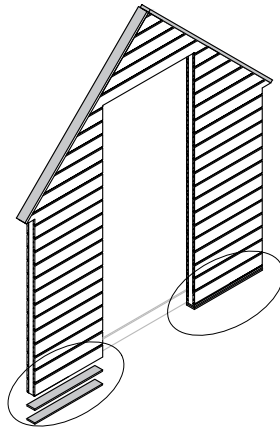
1 x1

GR-EX-Pertv-1857x2093-A700  
or  
GR-EX-Pertv-1857x2223-A700  
or  
GR-EX-Pertv-1857x2223-A1010  
or  
GR-EX-Pertv-1857x2353-A700  
or  
GR-EX-Pertv-1857x2353-A1010

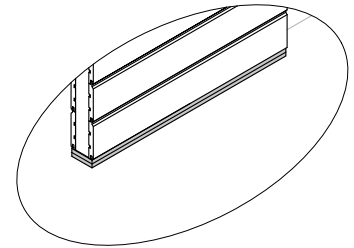


INSULATED FLOOR WITH  
TONGUE AND GROOVE  
BOARD 

or

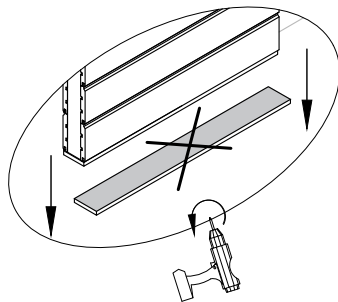



or



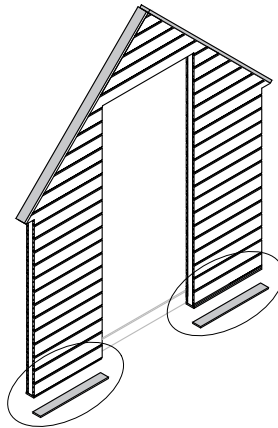
COLD FLOOR WITH  
BOARD 

or

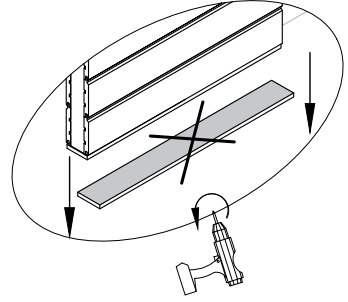


COLD FLOOR WITH TONGUE  
AND GROOVE BOARD 

or

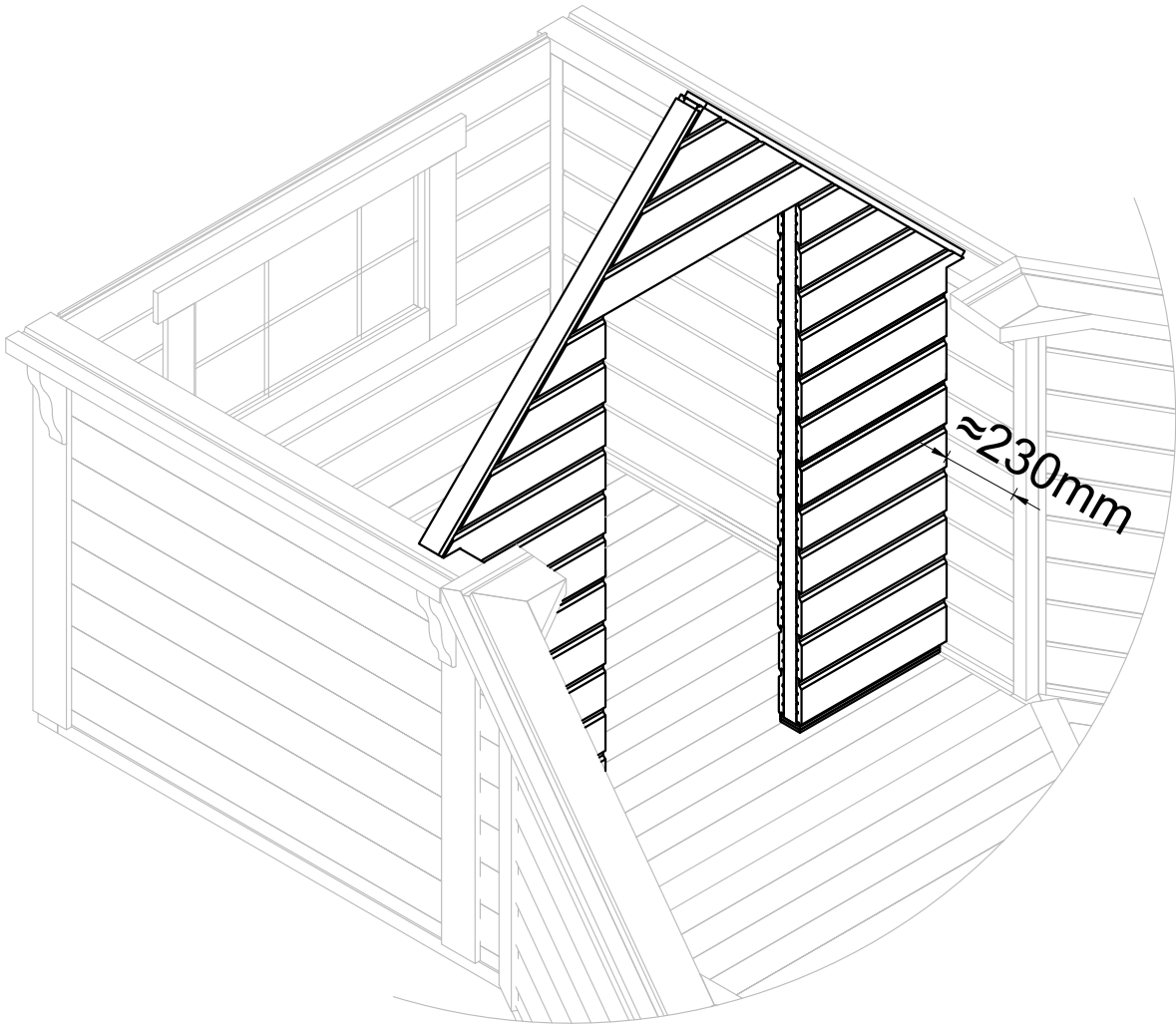
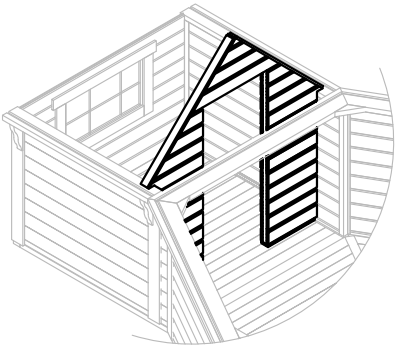


or

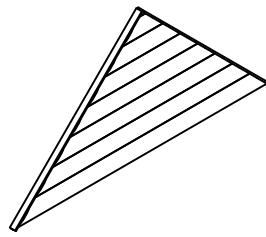
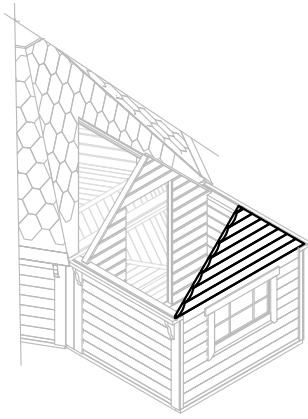


INSULATED FLOOR  
WITH BOARD 

6.2 Extension  
INSIDE WALL



## 7. Extension WALLS CONNECTION



1 x1

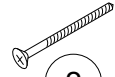
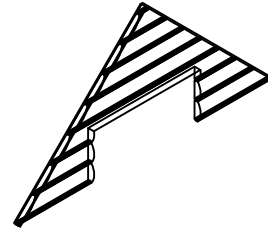
GR-EX-GS-trikamp-961x1923

or

GR-EX-GSD-trikamp-961x1923-A796

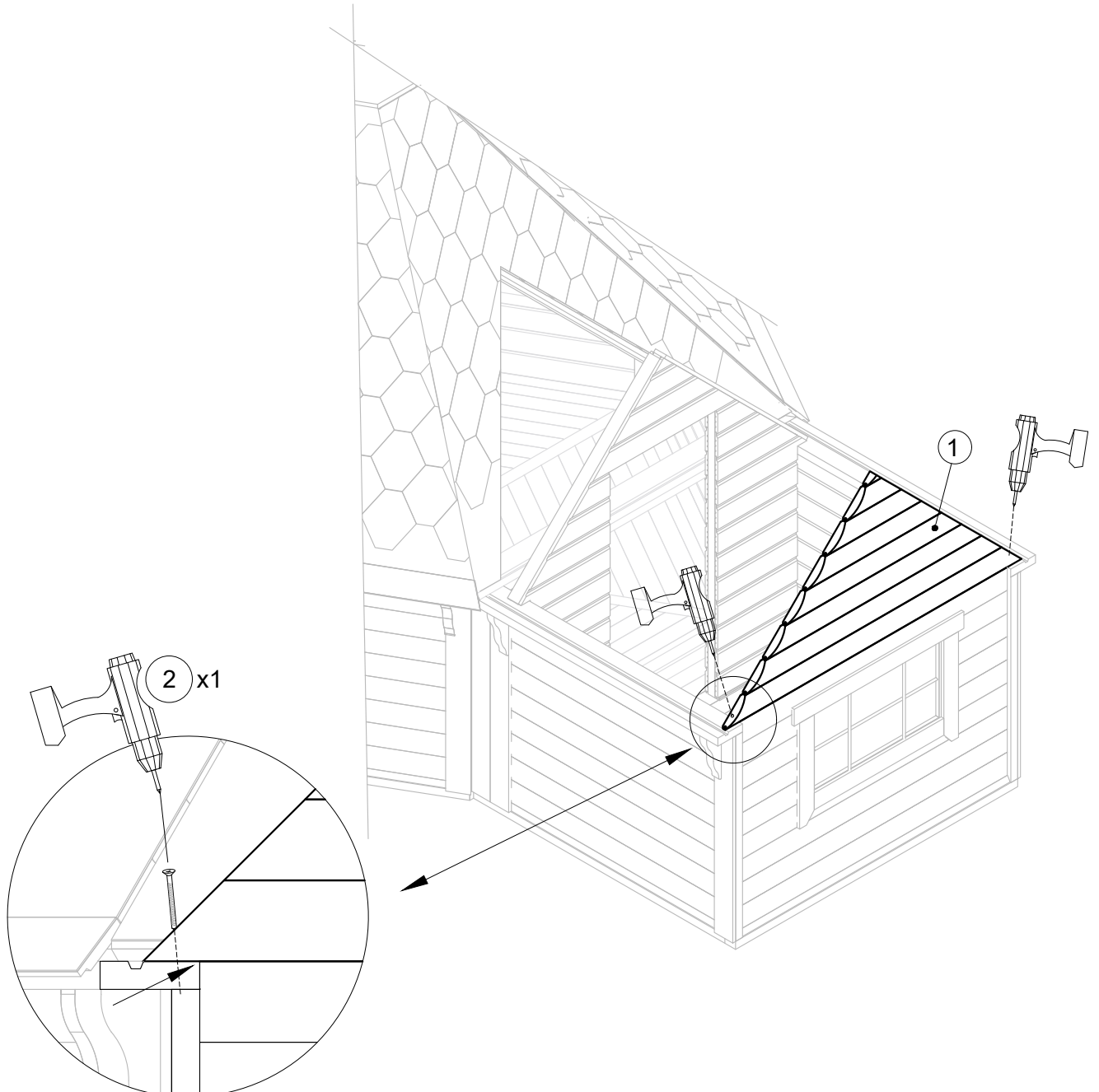
or

GR-EX-GSD-trikamp-961x1923-A1010

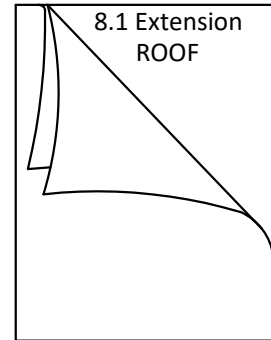
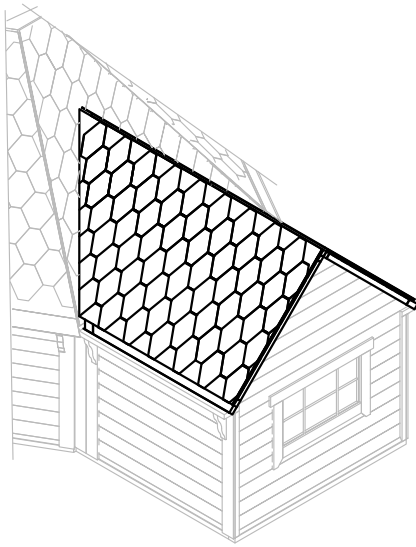


2 x2

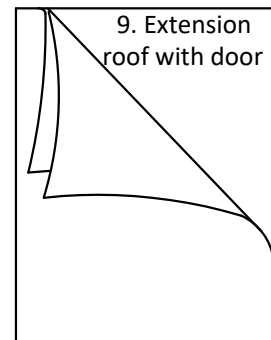
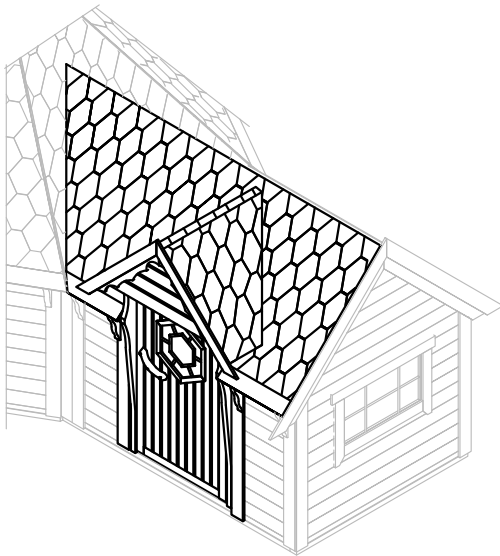
T-GC-5x100



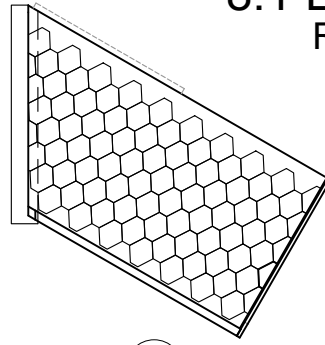
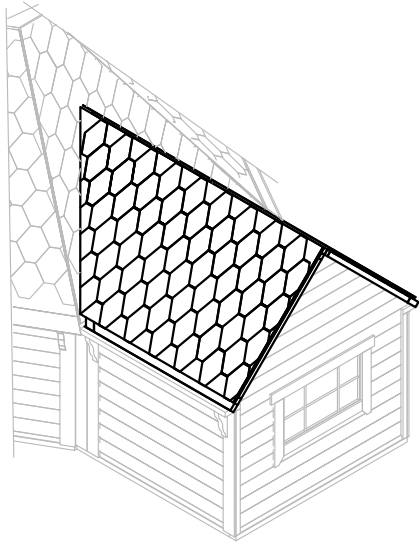
# 8. Extension ROOF



OR

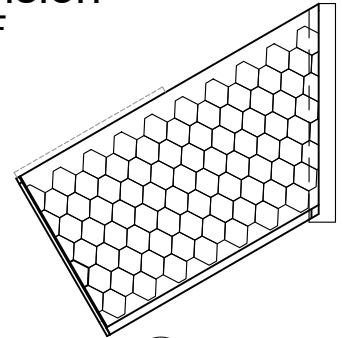


# 8.1 Extension ROOF



1 x1

GR-EX-Stog-1421x2517(d)  
or  
GR-EX-I-Stog-1421x2517(d)  
or  
GR-EX-Stog-1421x3317(d)  
or  
GR-EX-I-Stog-1421x3317(d)  
or  
GR-EX-Stog-1421x3817(d)  
or  
GR-EX-I-Stog-1421x3817(d)



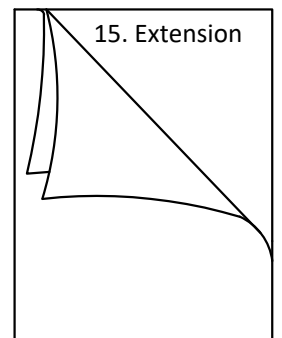
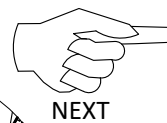
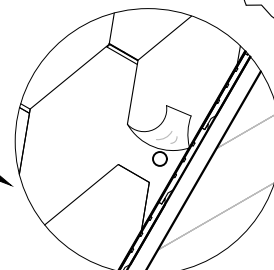
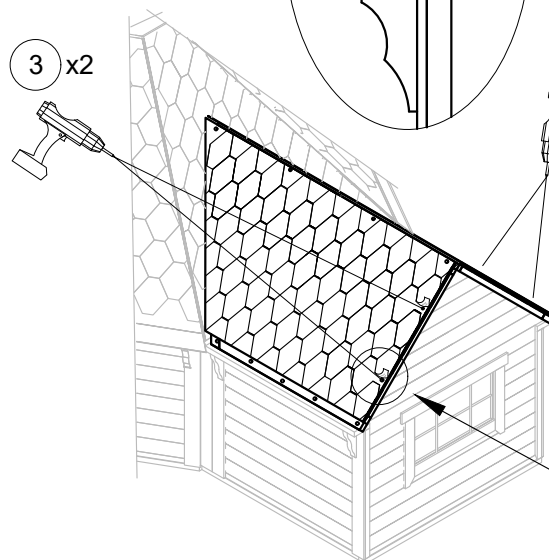
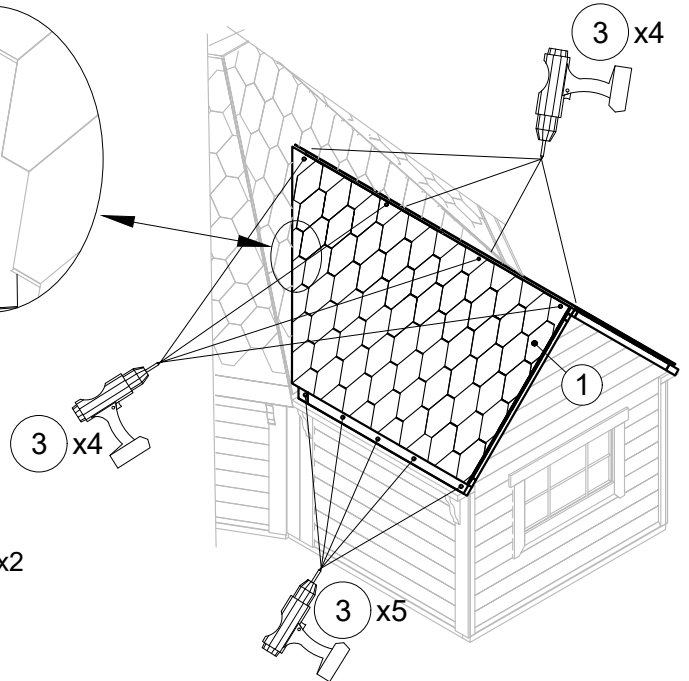
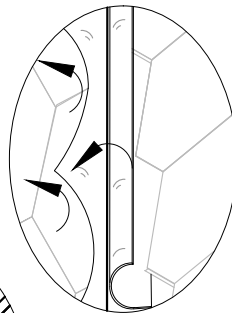
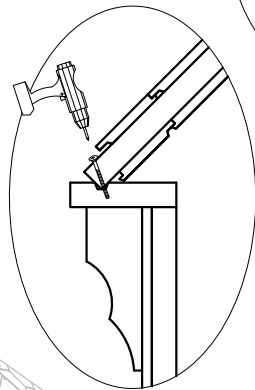
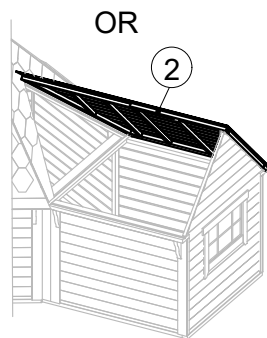
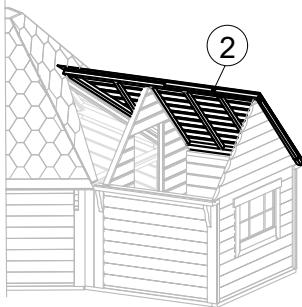
2 x1

GR-EX-Stog-1421x2517(k)  
or  
GR-EX-I-Stog-1421x2517(k)  
or  
GR-EX-Stog-1421x3317(k)  
or  
GR-EX-I-Stog-1421x3317(k)  
or  
GR-EX-Stog-1421x3817(k)  
or  
GR-EX-I-Stog-1421x3817(k)



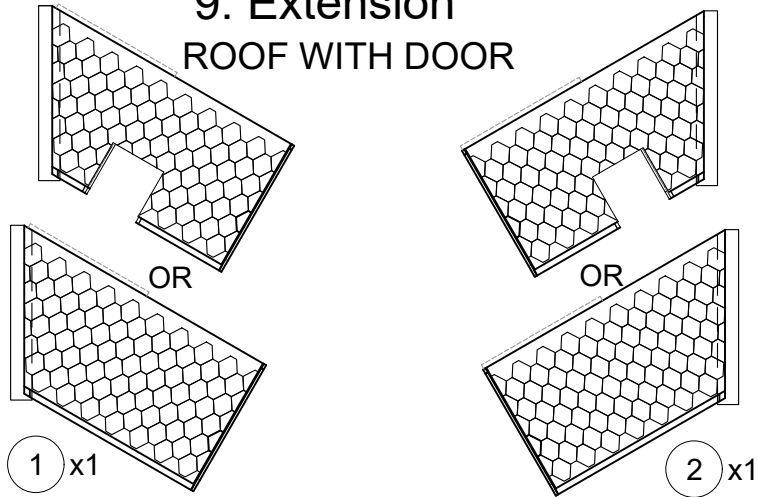
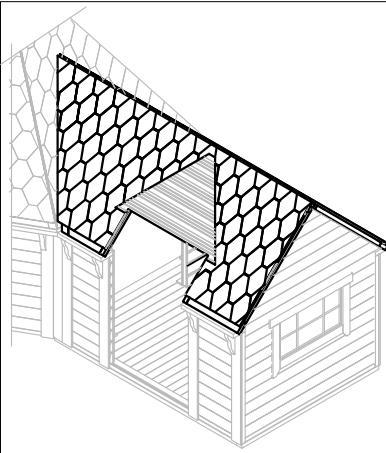
3 x22

T-GC-5x80



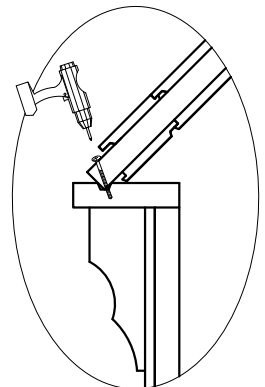
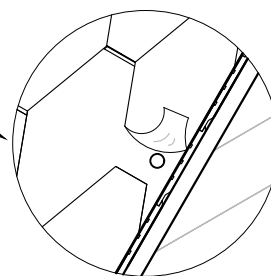
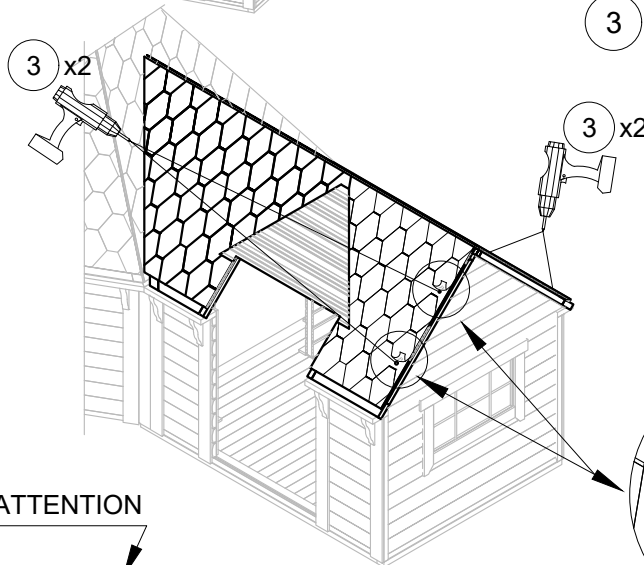
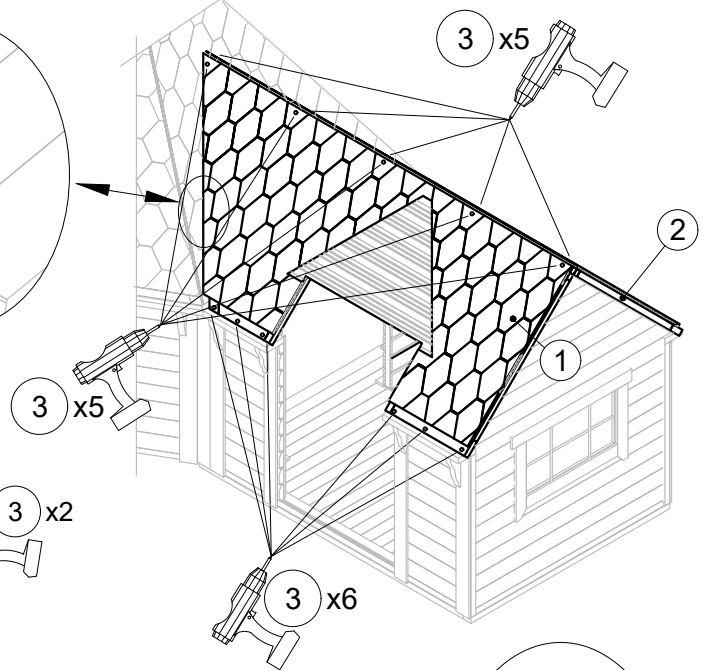
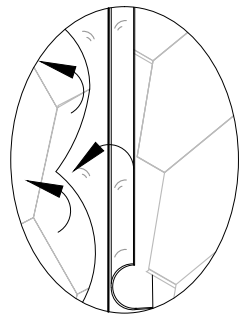
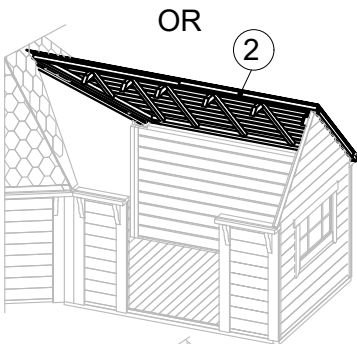
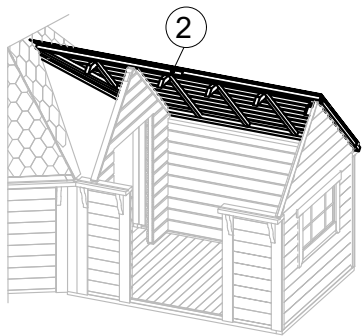
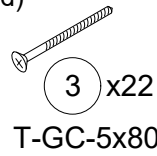


# 9. Extension ROOF WITH DOOR



1 x1  
 GR-EX-(I)-StogD-1421x3317-A850(d)  
 or  
 GR-EX-(I)-StogD-1421x3317-A1070(d)  
 or  
 GR-EX-(I)-StogD-1421x3817-A850(d)  
 or  
 GR-EX-(I)-StogD-1421x3817-A1070(d)  
 or  
 GR-EX-(I)-Stog-1421x3317(d)

2 x1  
 GR-EX-(I)-StogD-1421x3317-A850(k)  
 or  
 GR-EX-(I)-StogD-1421x3317-A1070(k)  
 or  
 GR-EX-(I)-StogD-1421x3817-A850(k)  
 or  
 GR-EX-(I)-StogD-1421x3817-A1070(k)  
 or  
 GR-EX-(I)-Stog-1421x3317(k)



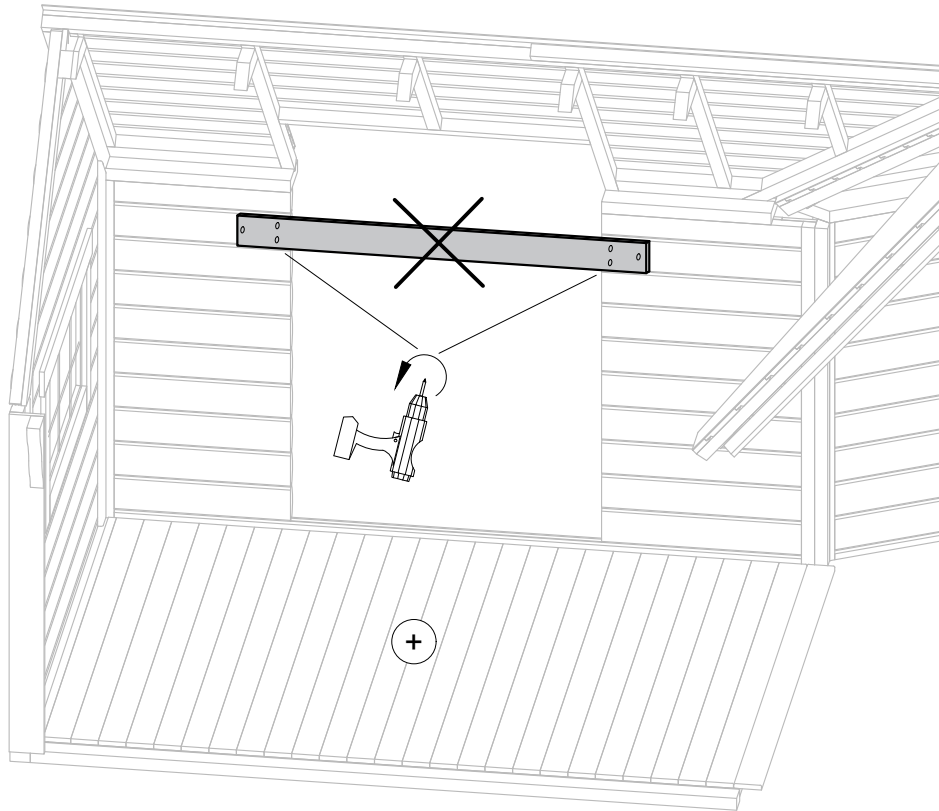
ATTENTION

GR-EX-(I)-StogD-14..... INSULATED

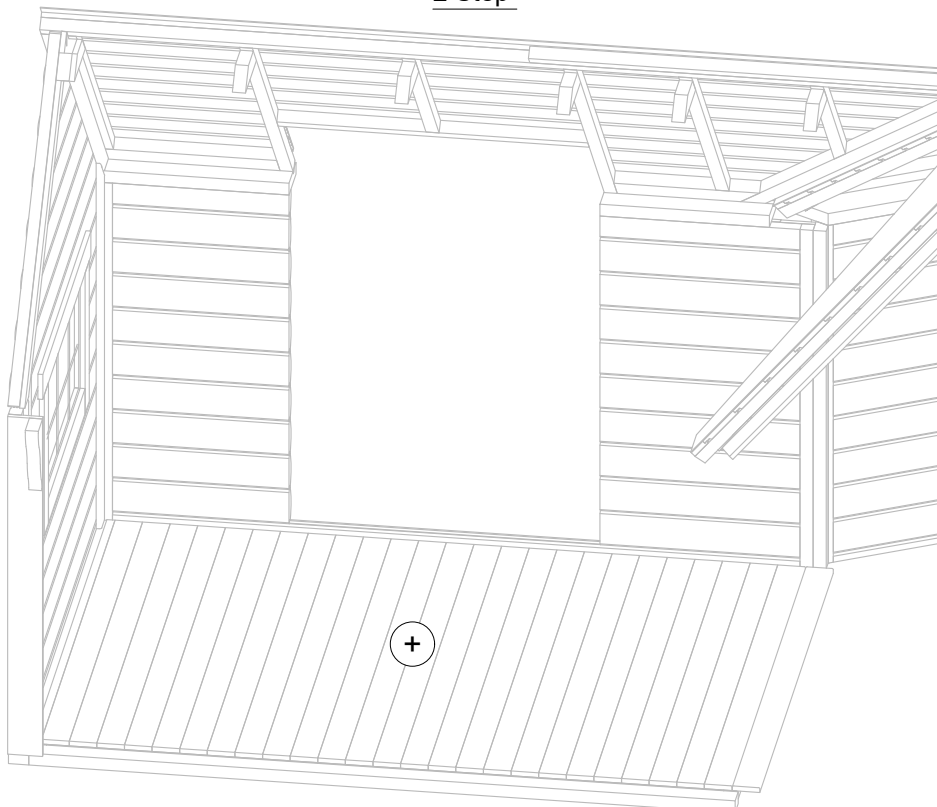
GR-EX-StogD-14..... COLD

# 10. Extension ENTRANCE ASSEMBLY

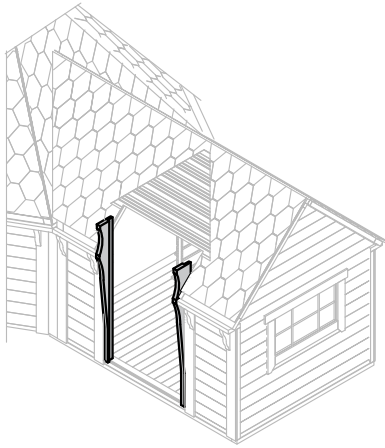
1 Step



2 Step





# 11. Extension ENTRANCE SUPPORT

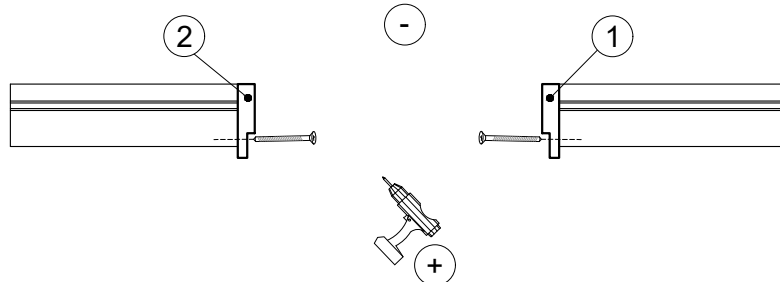
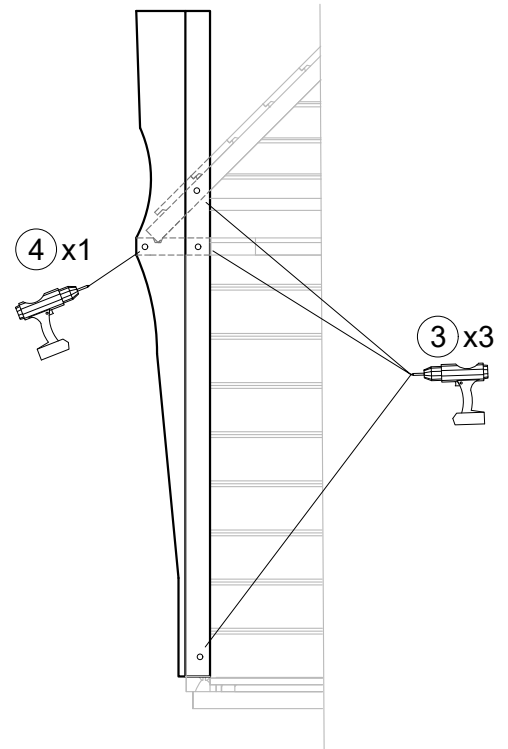
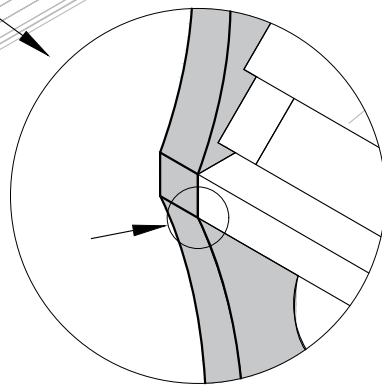
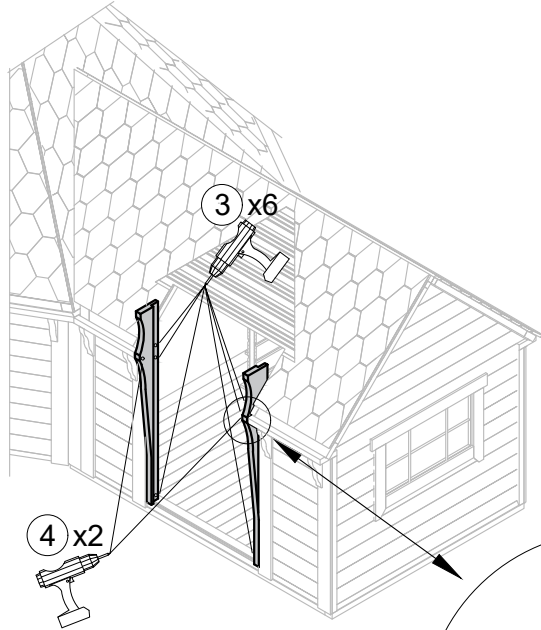


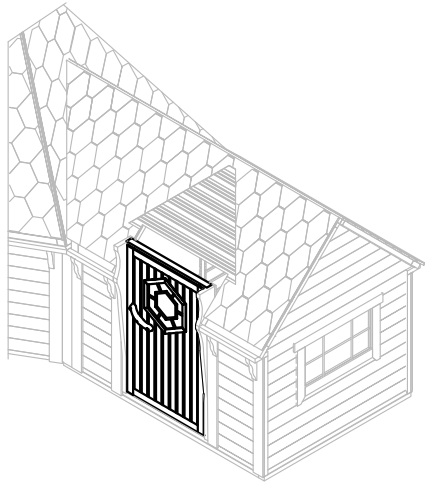
M-45x195x1630-A850-CNC(k)  
or  
M-45x195x1760-A850-CNC(k)  
or  
M-45x195x1890-A-850-CNC(k)  
or  
M-45x195x1630-A1070-CNC(k)  
or  
M-45x195x1760A-1070-CNC(k)



M-45x195x1630-A850-CNC(d)  
or  
M-45x195x1760-A850-CNC(d)  
or  
M-45x195x1890-A-850-CNC(d)  
or  
M-45x195x1630-A1070-CNC(d)  
or  
M-45x195x1760A-1070-CNC(d)

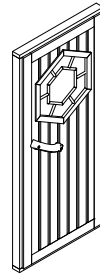
-  ③ x6  
T-BC-4x50
-  ④ x2  
T-GC-5x80





## 12.Extension OUTSIDE DOOR

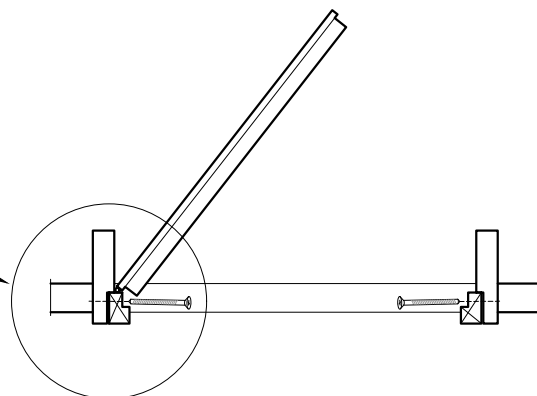
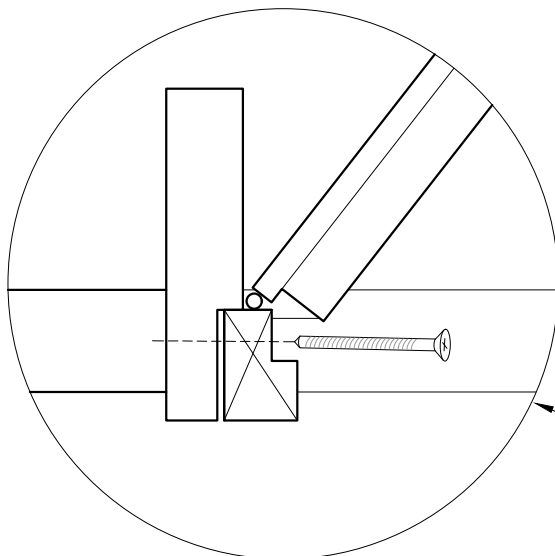
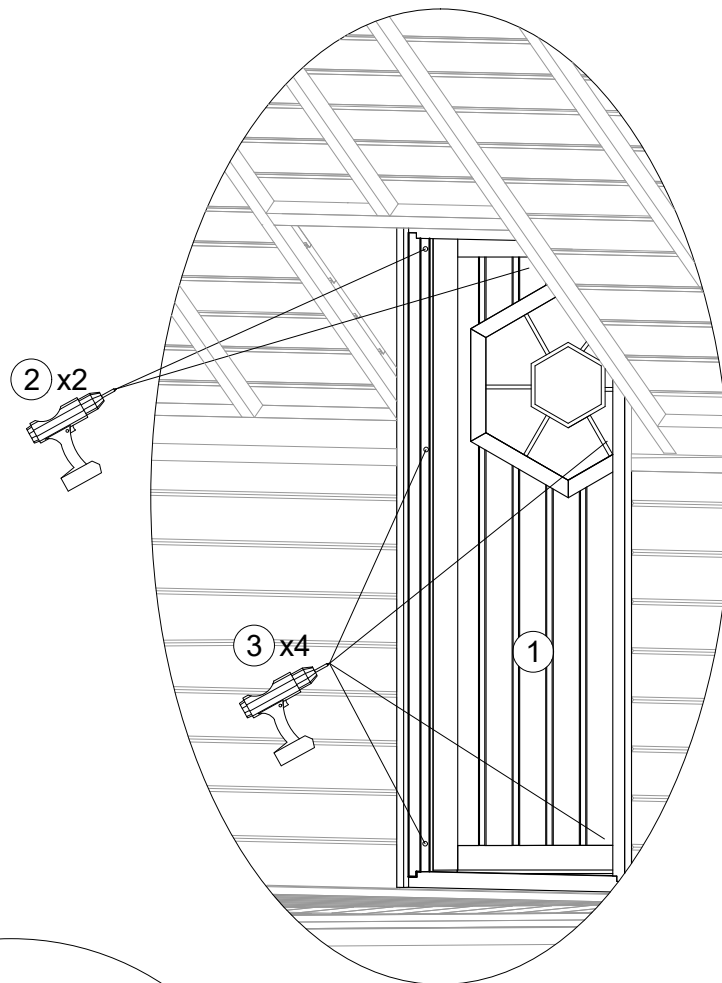
① x1  
PUS00013  
or  
PUS00060  
or  
PUS00321  
or  
PUS00317  
or  
PUS00322



② x2  
T-BC-4x50



③ x4  
T-GC-5x100



# 13.Extension INSIDE FINISHING BOARD

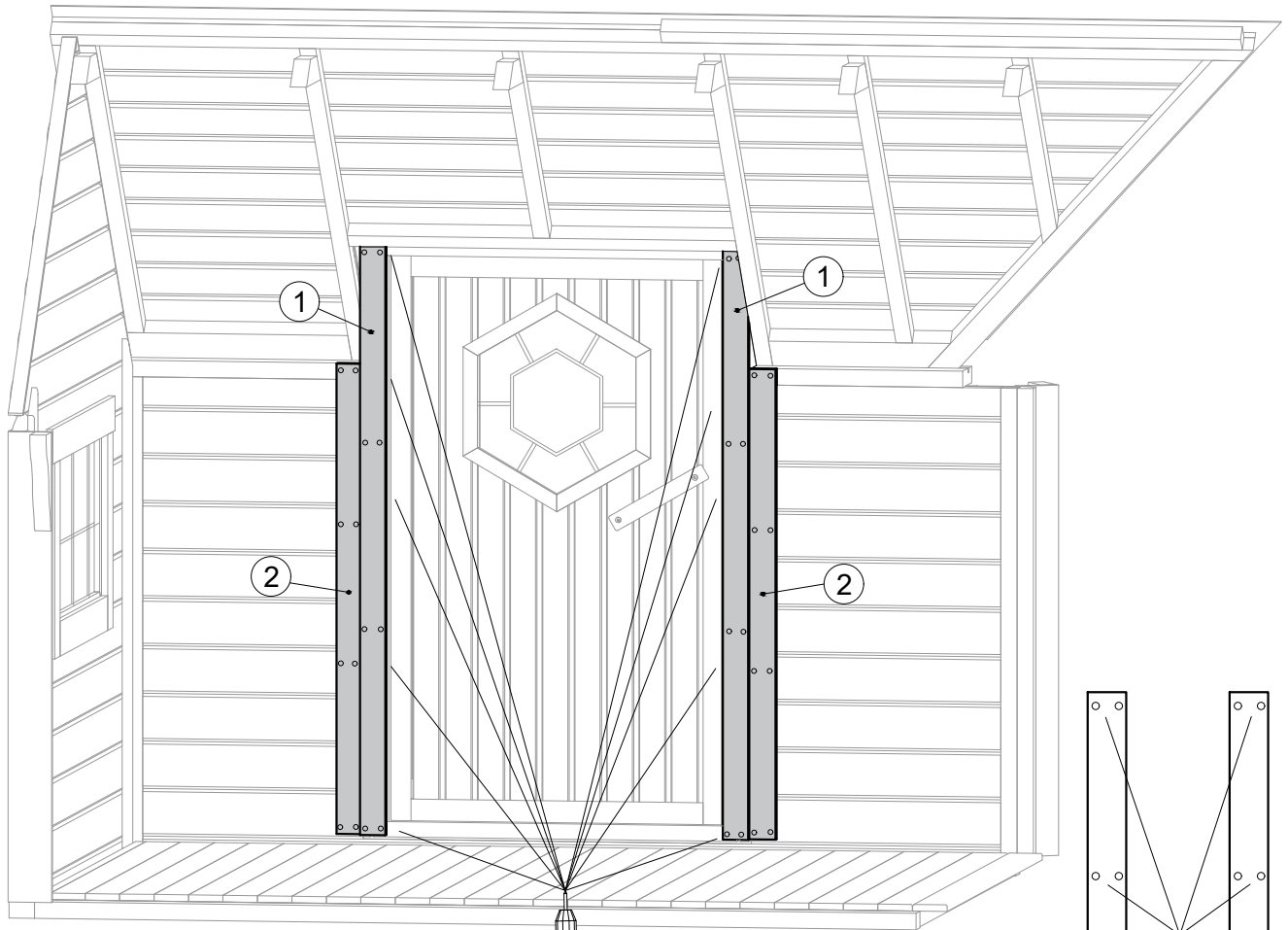
① x2  
M-18x70x1624  
or  
M-18x70x1754  
or  
M-18x70x1884



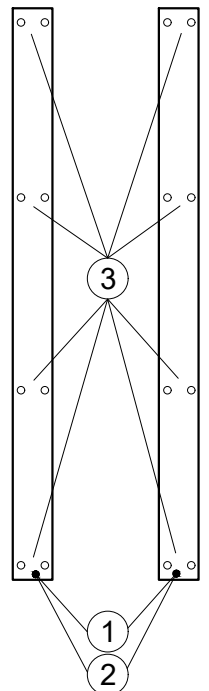
② x2  
M-18x70x1150  
or  
M-18x70x1280  
or  
M-18x70x1410



③ x32  
T-GC-3.5x45



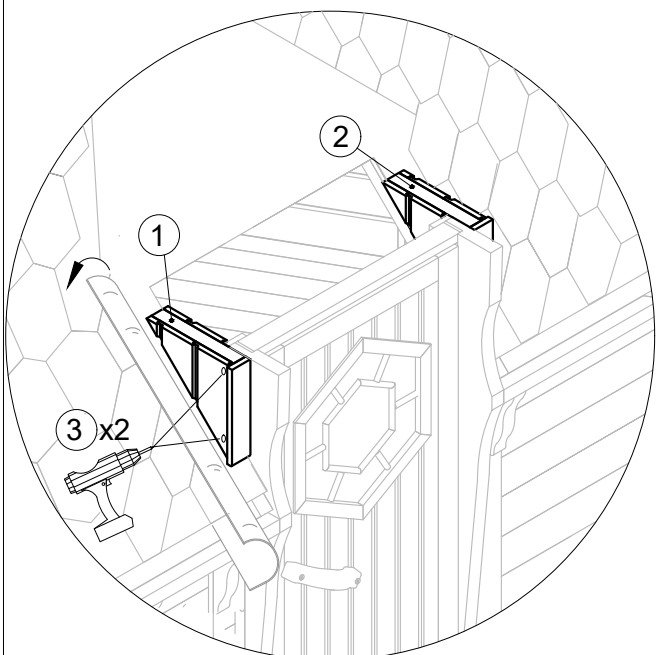
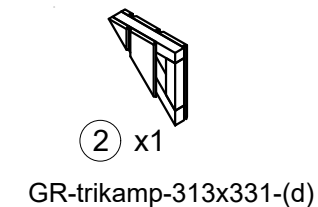
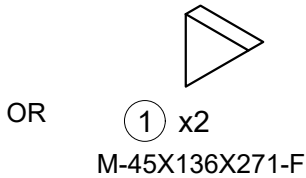
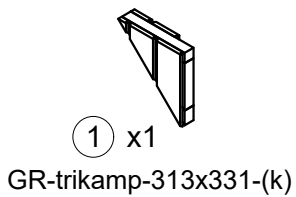
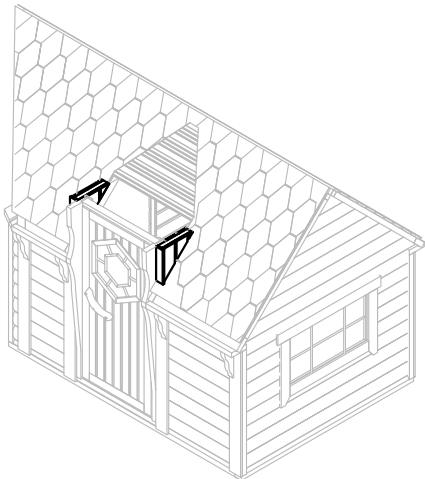
③ x32



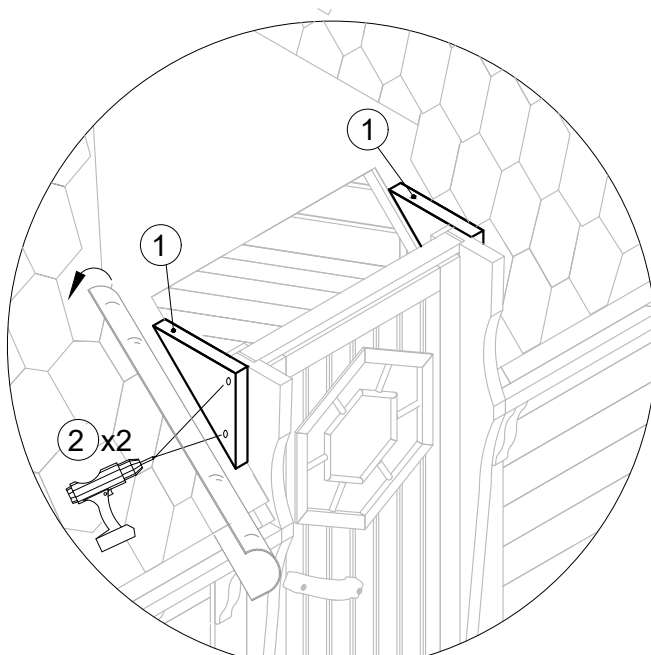
# 14. Extension ENTRANCE ASSEMBLY

782mm  
standard door

1070mm  
disabled door

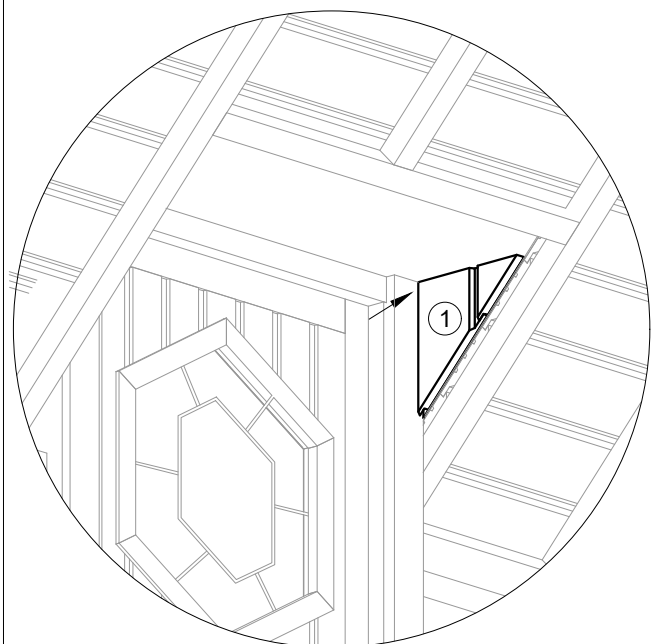


OR

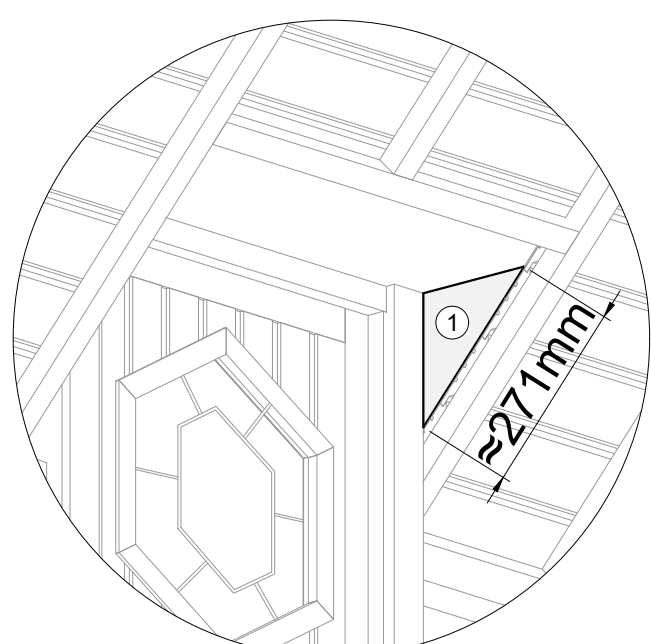


782mm  
standard door

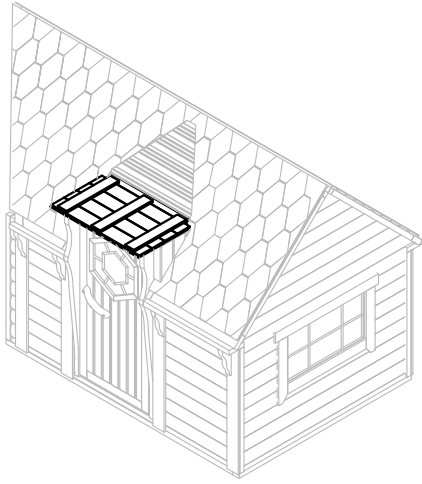
1070mm  
disabled door



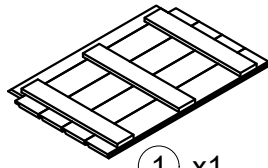
OR



# 14.1 Extension ENTRANCE ASSEMBLY



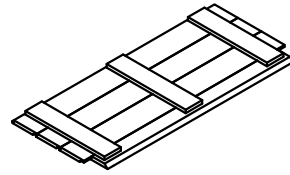
782mm  
standard door



① x1

GR-lubos-636x939

1070mm  
disabled door



① x1

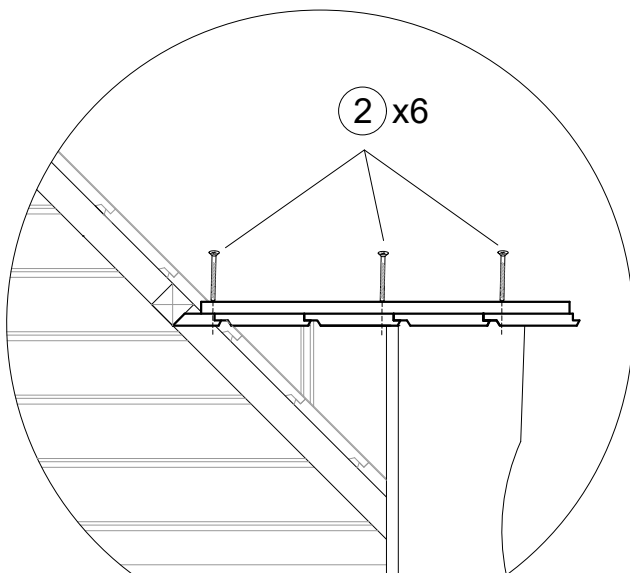
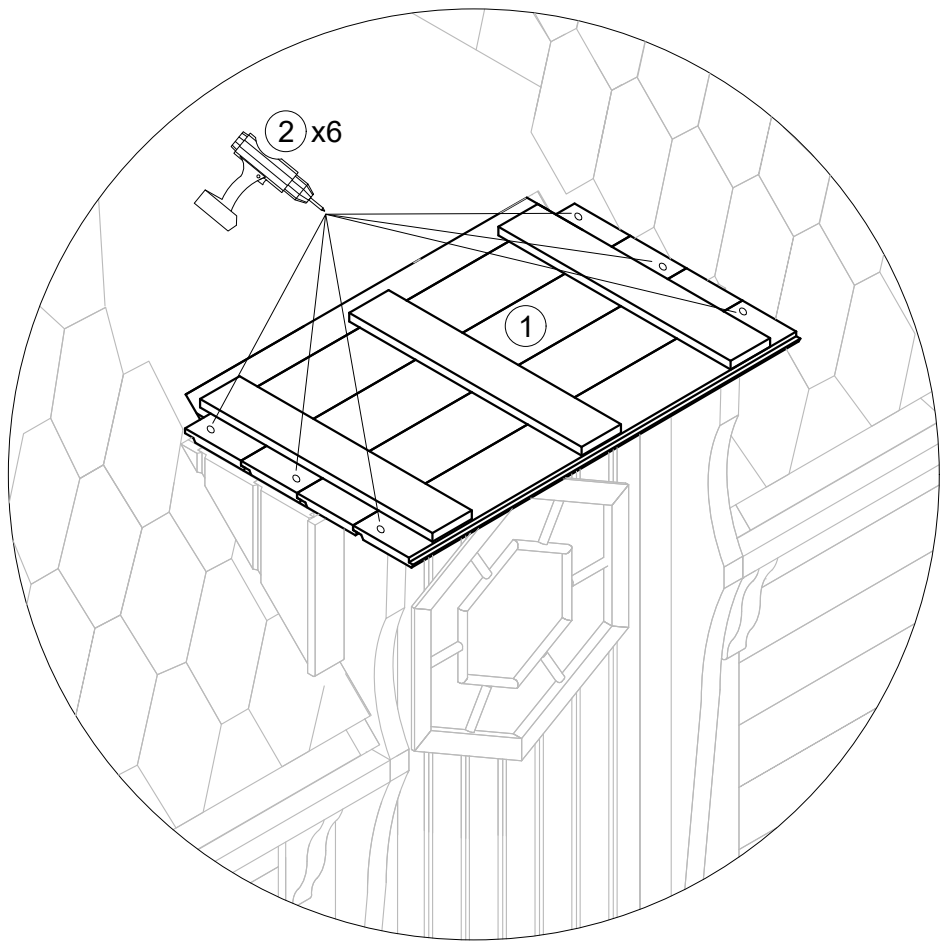
GR-lubos-507x1159

OR



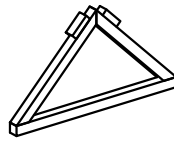
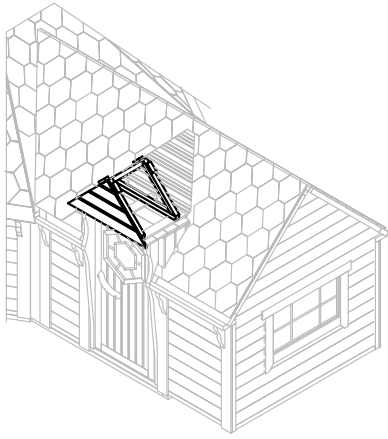
② x6

T-GC-4x70



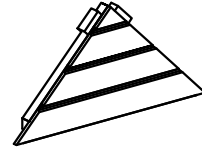


## 14.2 Extension ENTRANCE ASSEMBLY



① x1

GR-Stog-trik-453x815  
or  
GR-Stog-trik-563x1035



② x1

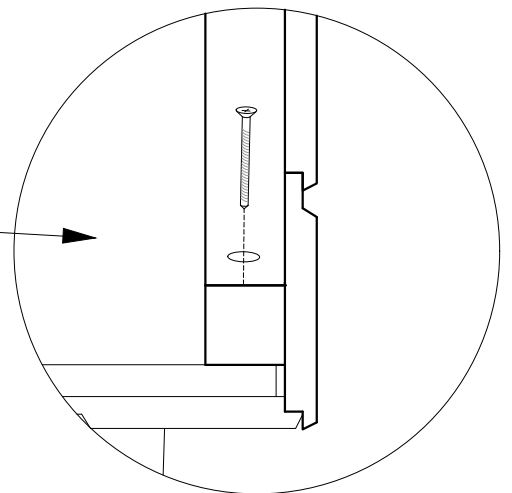
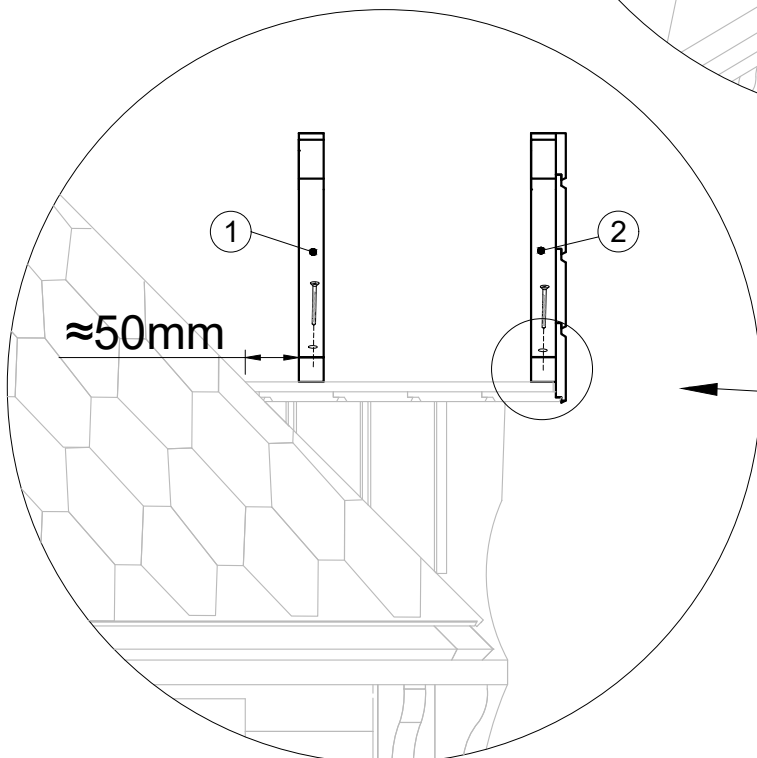
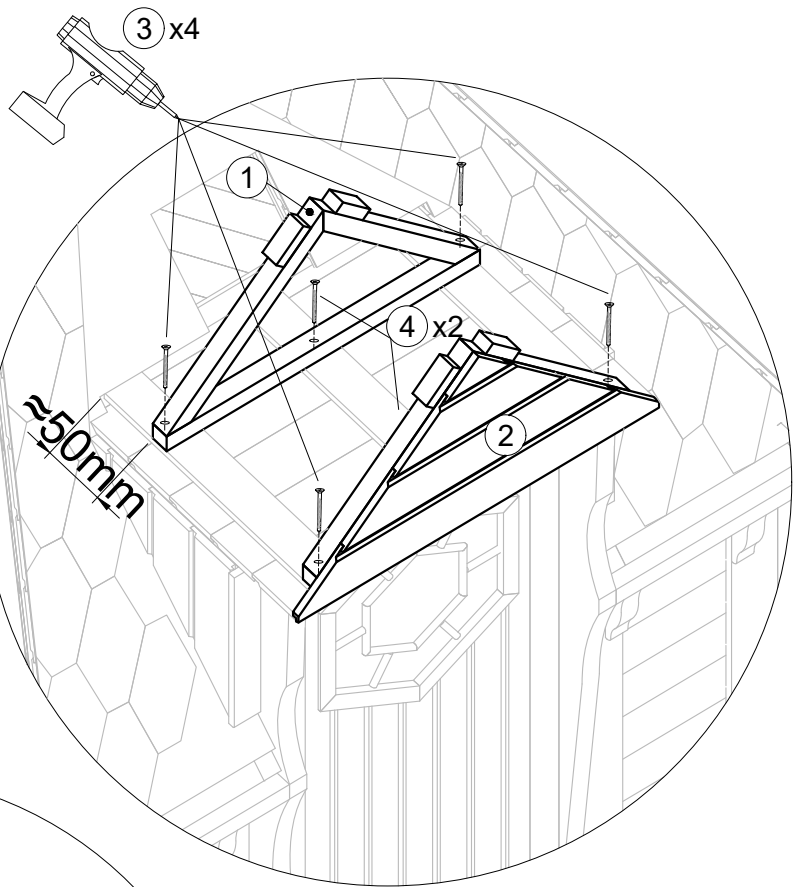
GR-Pr-trik-491x981  
or  
GR-Pr-trik-601x1202



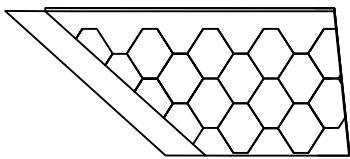
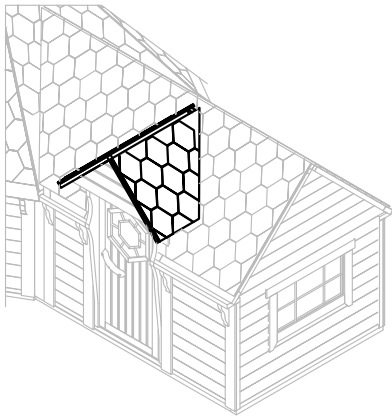
③ x4  
T-GC-5x100



④ x2  
T-GC-4x70

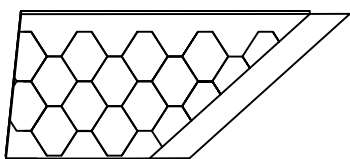


# 14.3 Extension ENTRANCE ASSEMBLY



① x1

GR-Stog-845x1090-(k)  
or  
GR-Stog-1001x1070-(k)



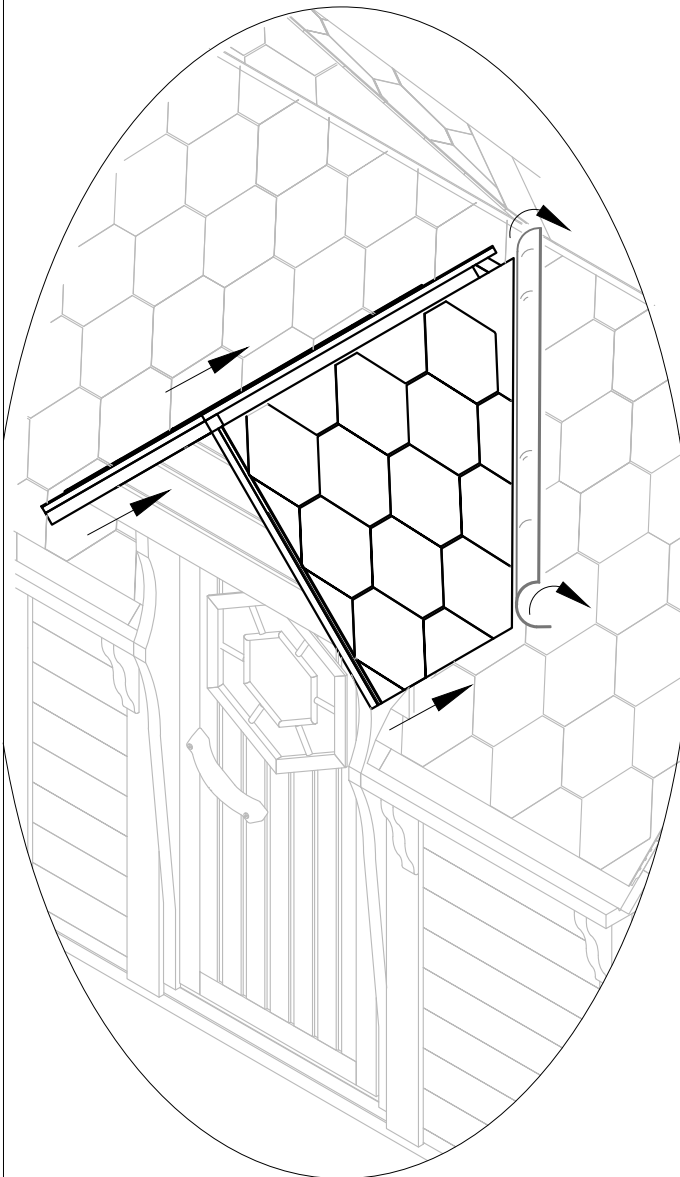
② x1

GR-Stog-845x1090-(d)  
or  
GR-Stog-1001x1070-(d)

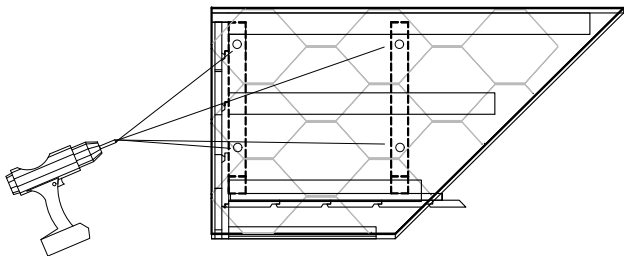
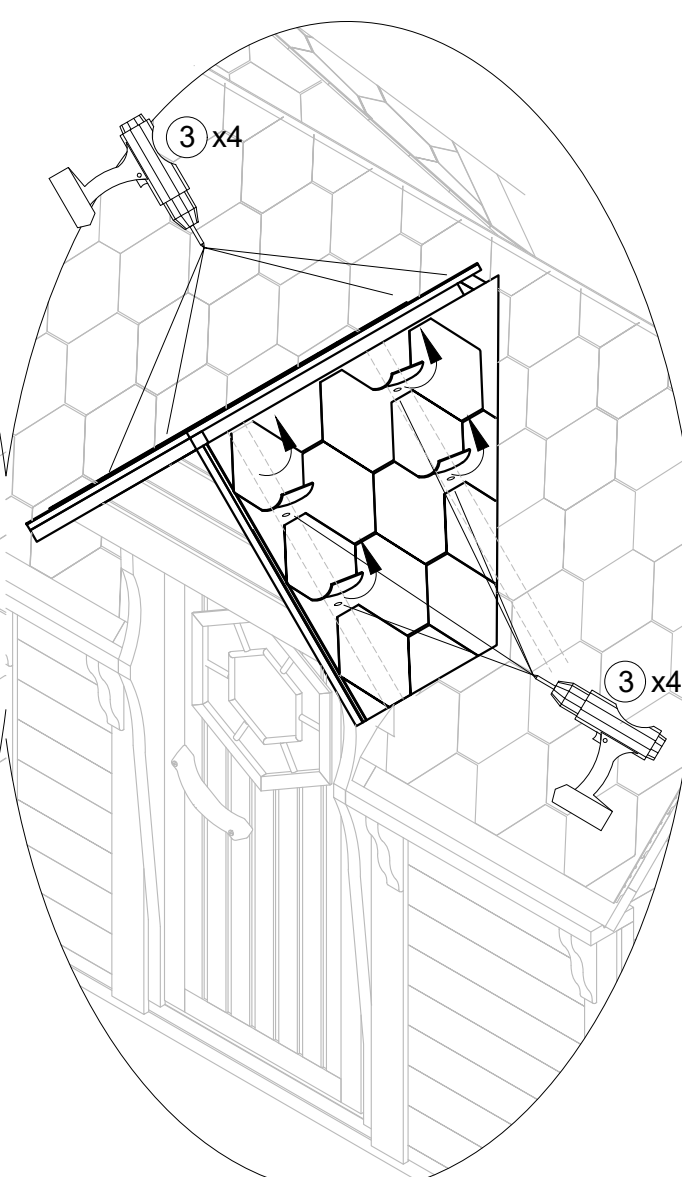


③ x8  
T-GC-5x100

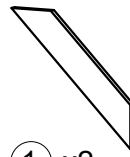
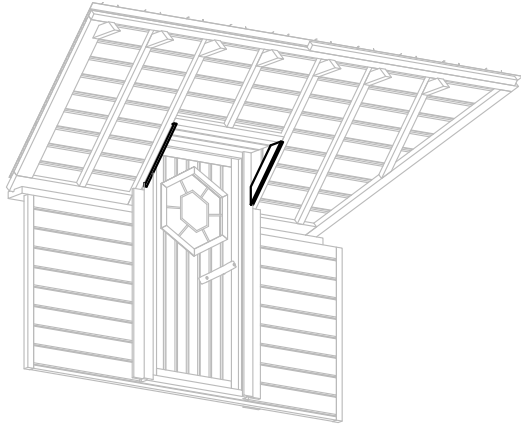
1 Step



2 Step



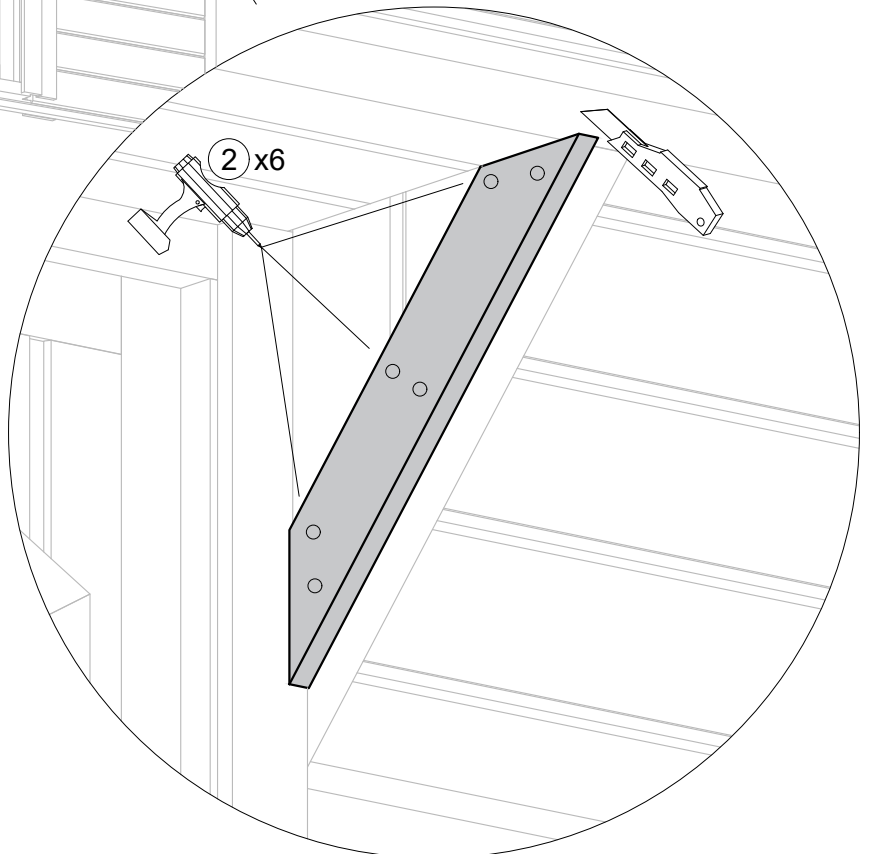
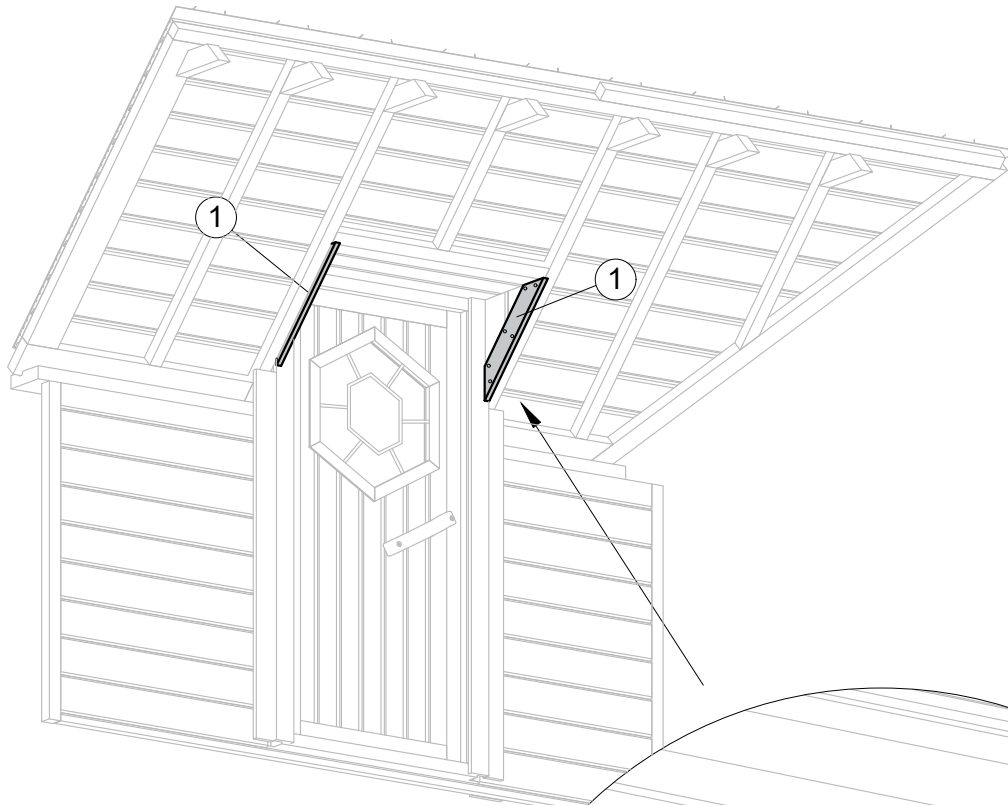
## 14.4 Extension ENTRANCE ASSEMBLY



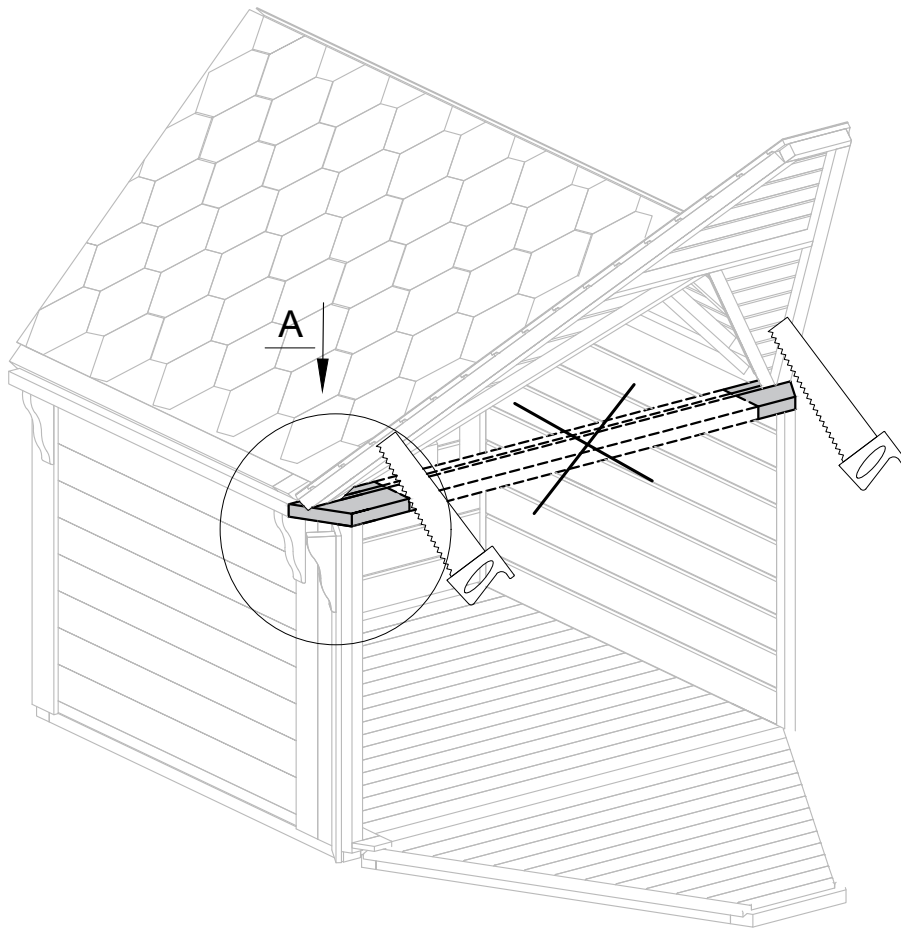
① x2  
M-18x83x488-F  
or  
M-18x95x318-F



② x12  
T-GC-3.5x45



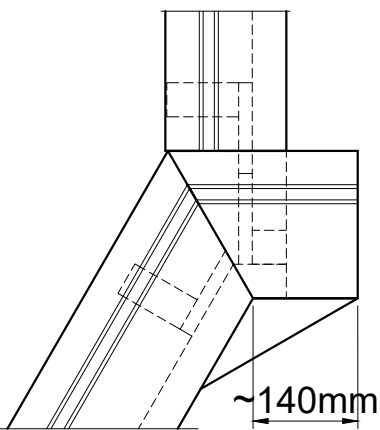
# 15. Extension



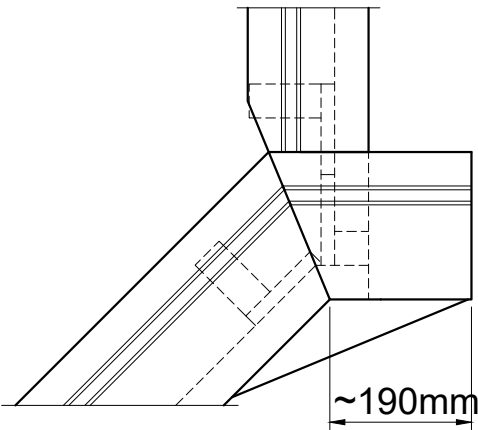
A

A

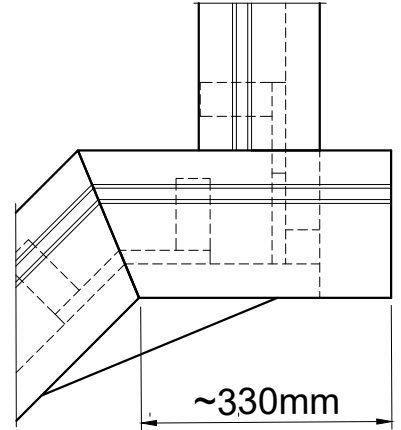
A



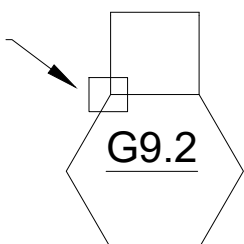
~140mm



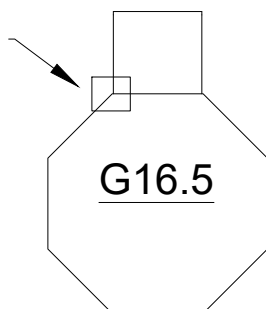
~190mm



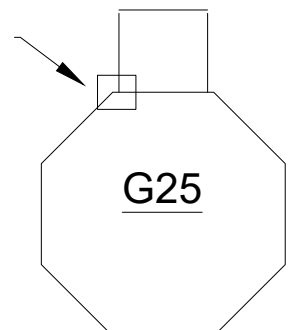
~330mm



G9.2



G16.5



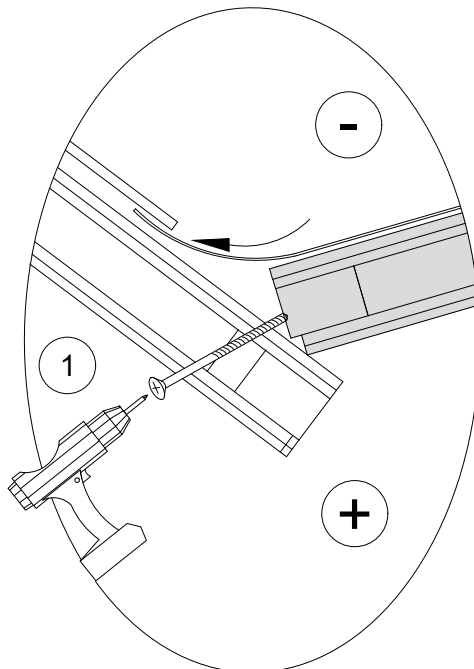
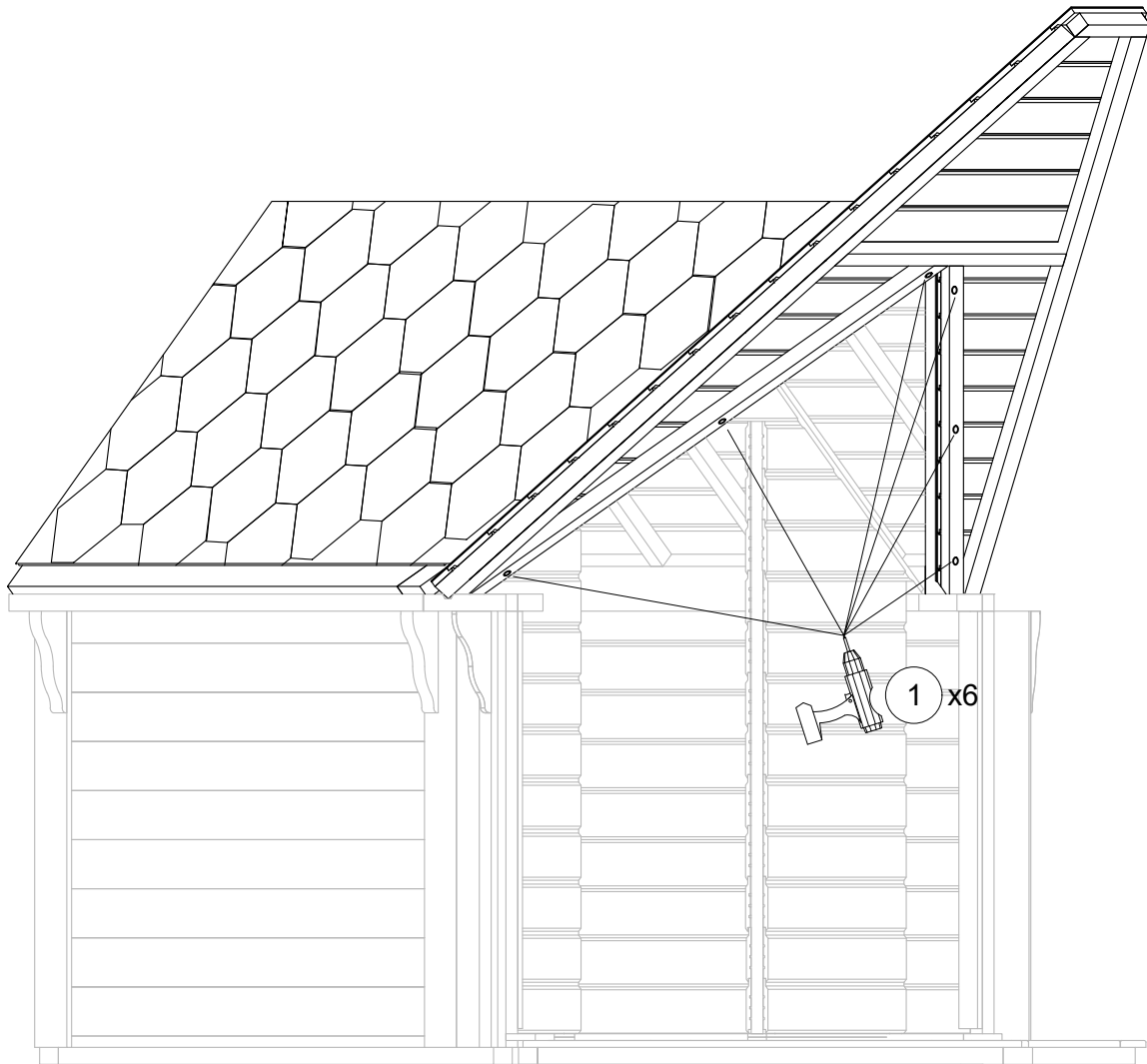
G25

# 16. Extension ROOF FIX

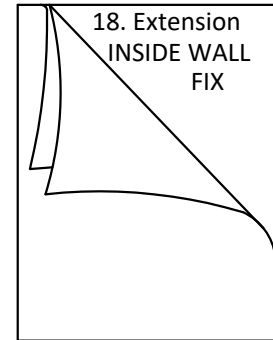
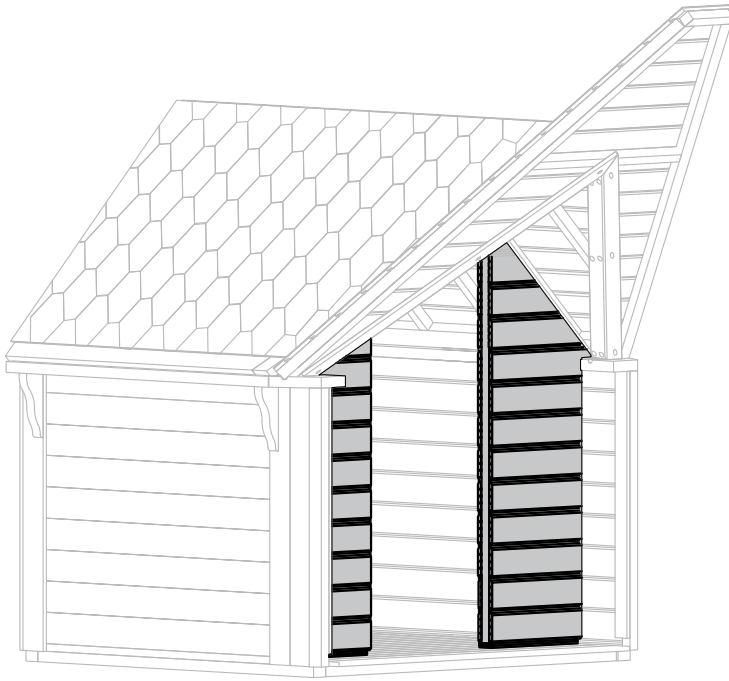


1 x6

T-GC-5x100

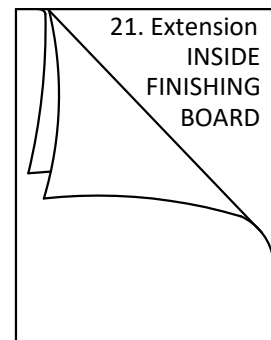
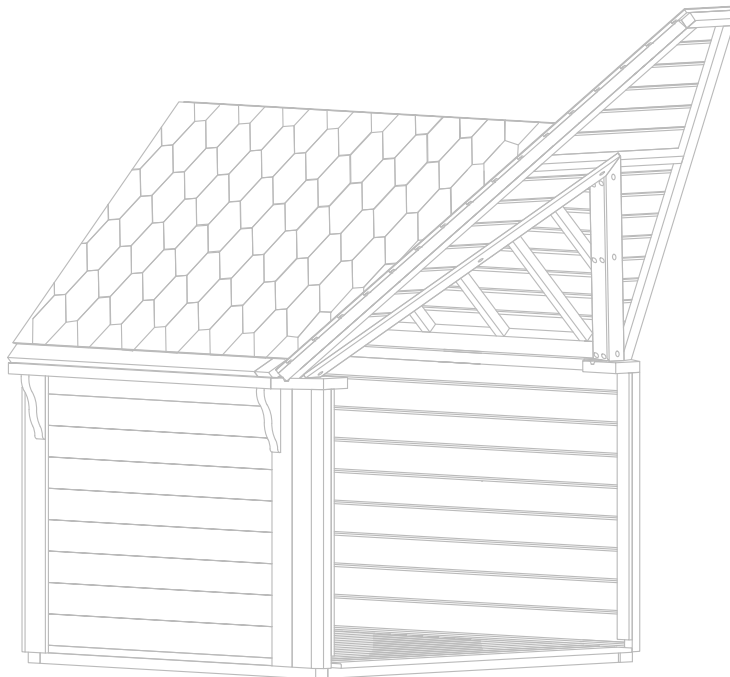


# 17. Extension



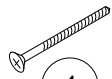
WITH INSIDE WALL

OR



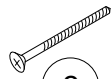
WITHOUT INSIDE WALL

# 18. Extension INSIDE WALL FIX



1 x4

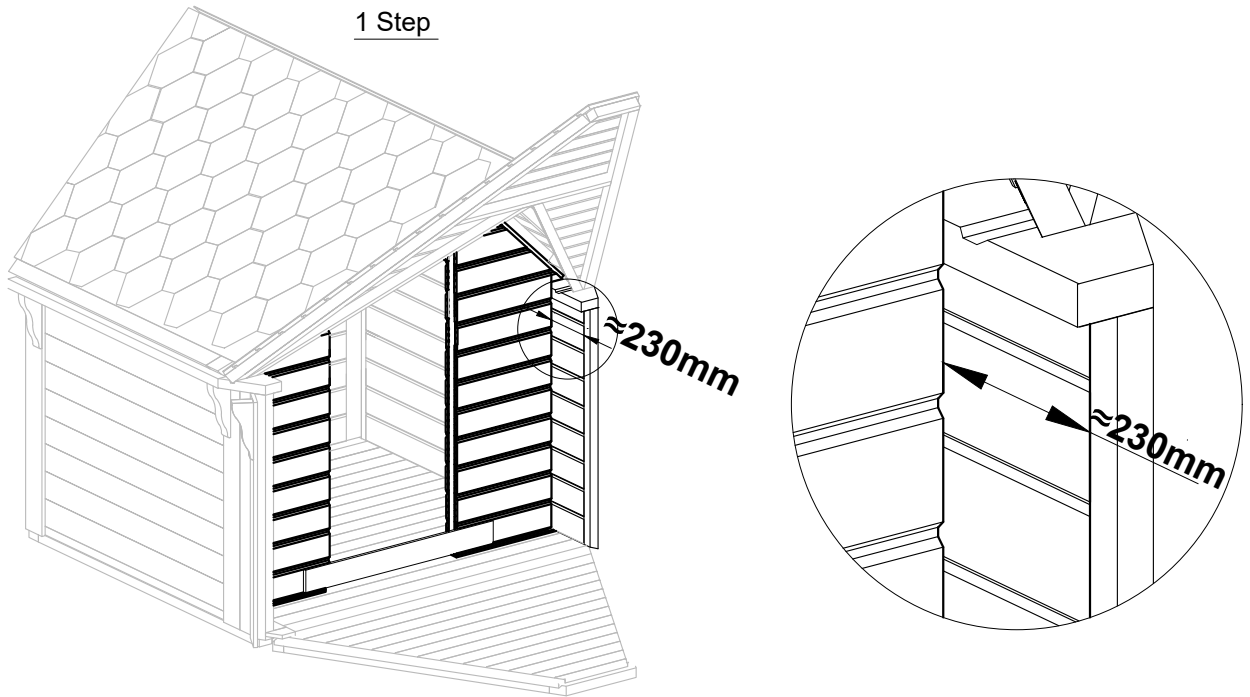
T-GC-5x100



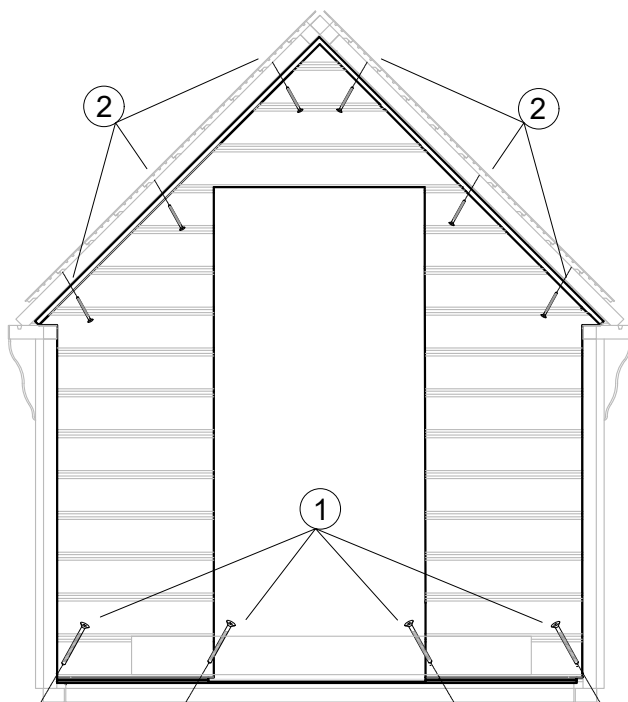
2 x6

T-GC-4x70

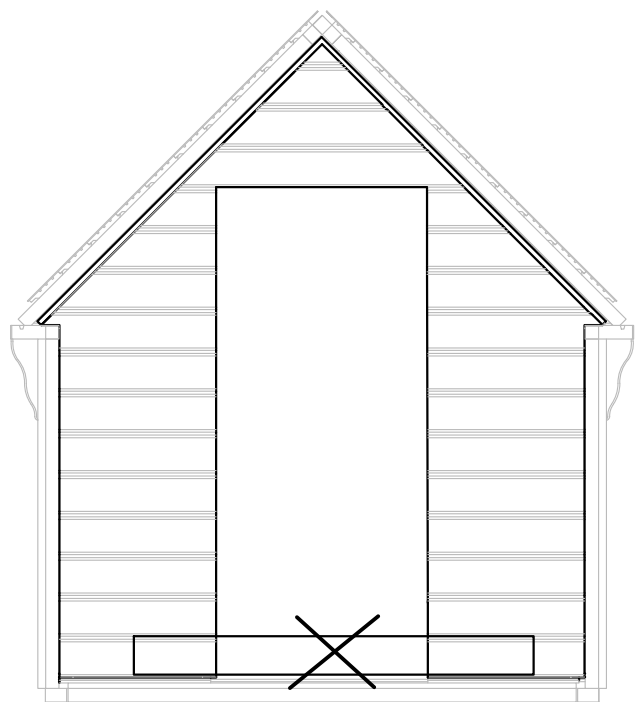
1 Step



2 Step



3 Step

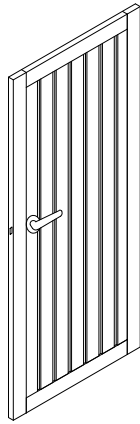




## 19. Extension INSIDE DOOR

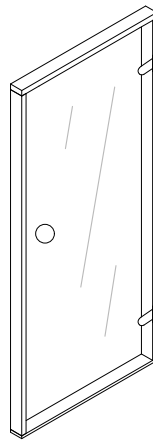
① x1

PUS00335  
or  
PUS00338  
or  
PUS00336  
or  
PUS00339



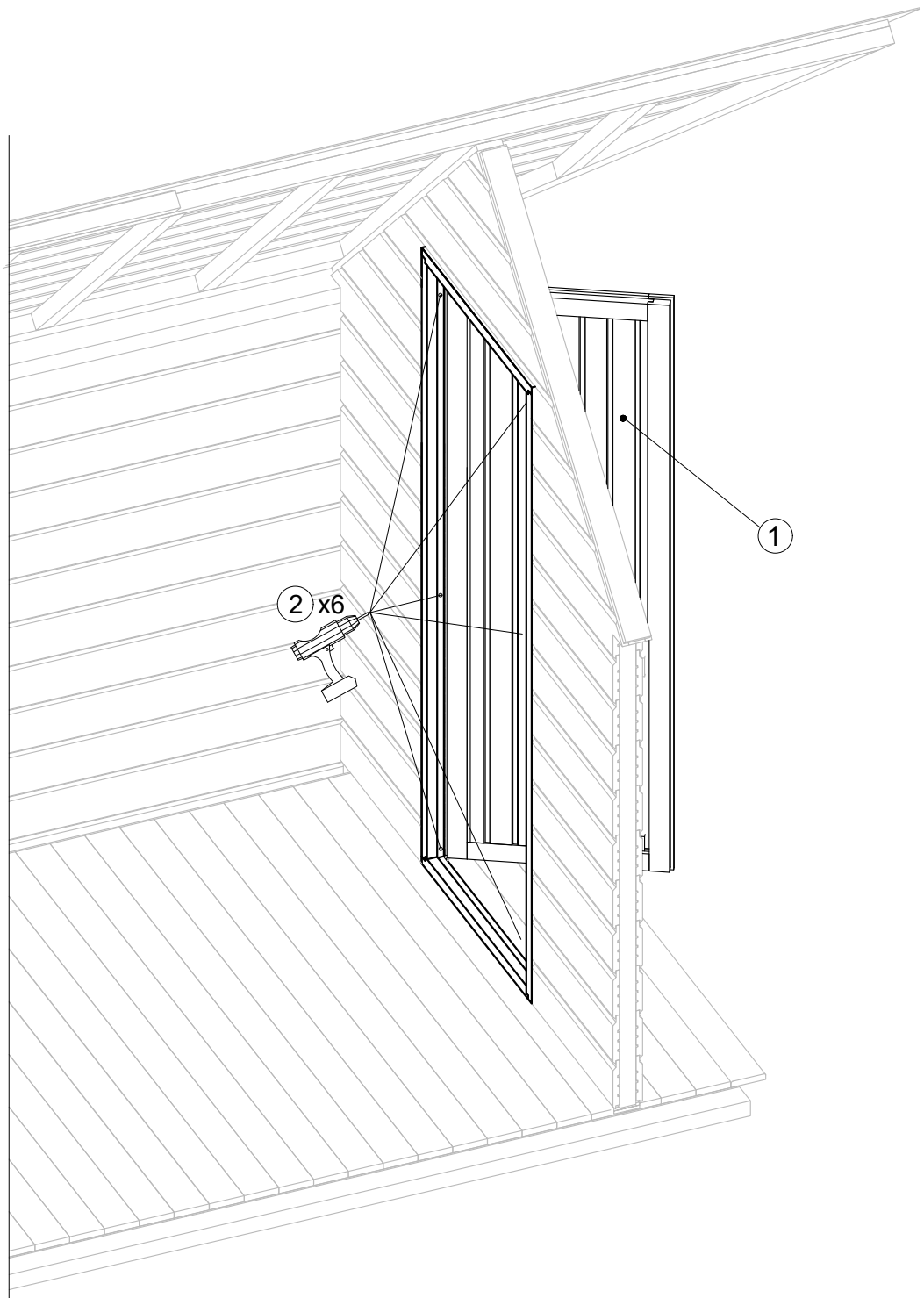
① x1

PUS00232  
or  
PUS00233

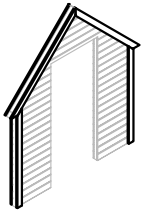


② x6

T-GC-5x100



## 20. Extension INSIDE WALL FINISHING BOARD



① x4

M-18x70x1210-F  
or  
M-18x70x1340-F  
or  
M-18x70x1470-F

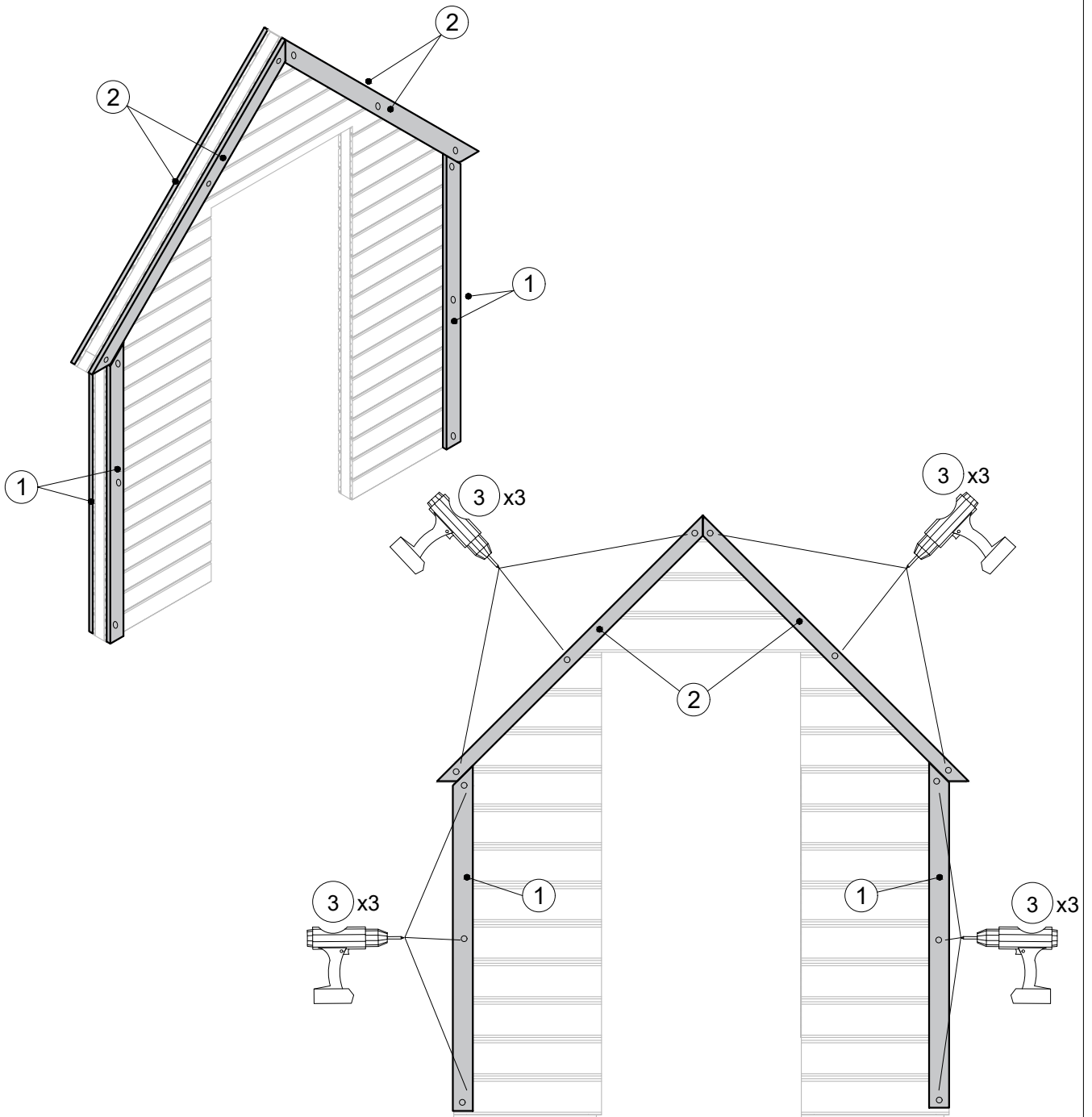
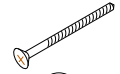


② x4

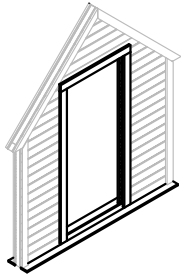
M-18x70x1350-F  
or  
M-18x50x1310-F



③ x24  
T-GC-3.5x45



## 20.1 Extension INSIDE WALL FINISHING BOARD



① x2

M-18x70x1599



② x4

M-18x70x1640  
or  
M-18x70x1490  
or  
M-18x70x1840  
or  
M-18x70x1620



③ x2

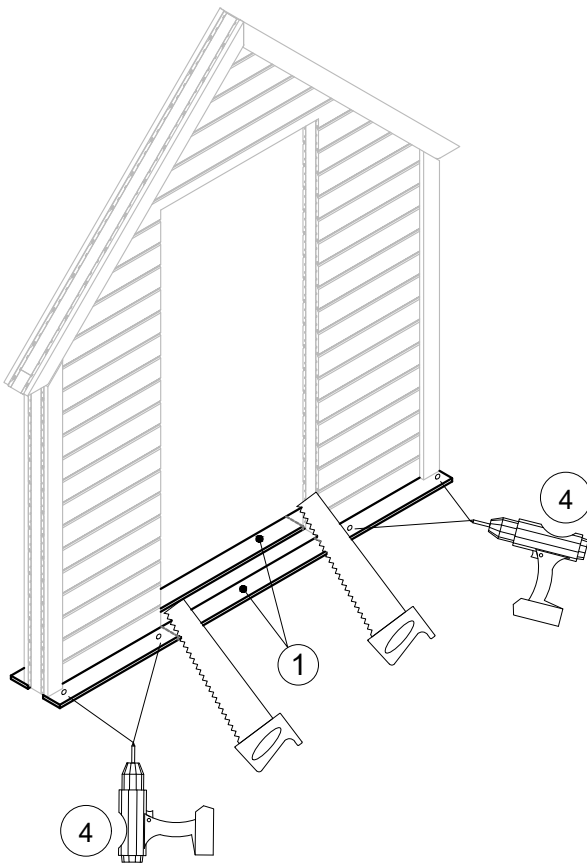
M-18x70x810  
or  
M-18x70x1120



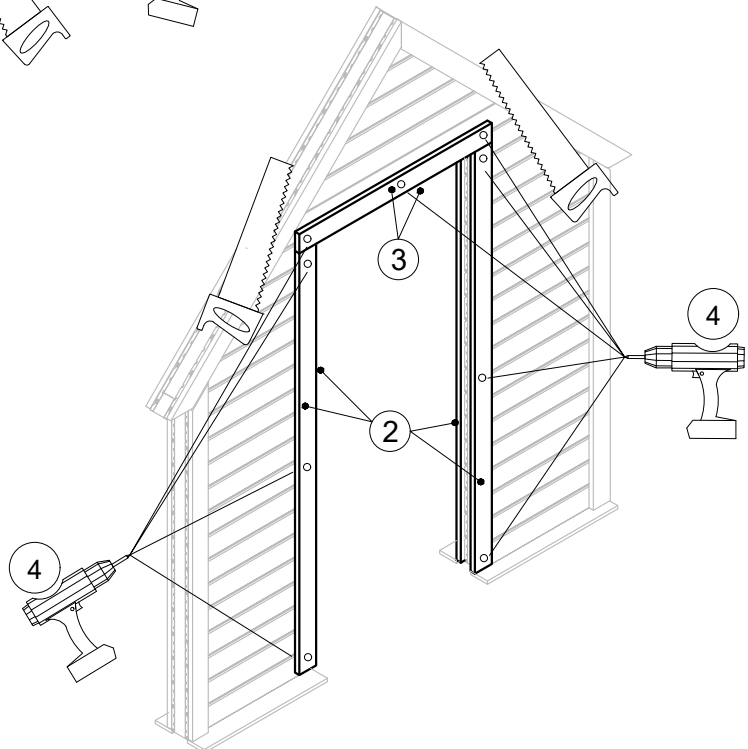
④ x46

T-GC-3.5x45

### 1 Step



### 2 Step

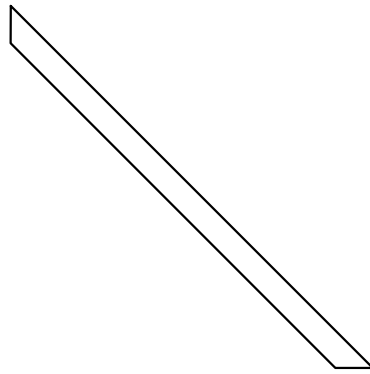


# 21. Extension INSIDE FINISHING BOARD



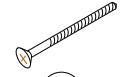
① x2

M-18x70x1210-F  
or  
M-18x70x1340-F  
or  
M-18x70x1470-F

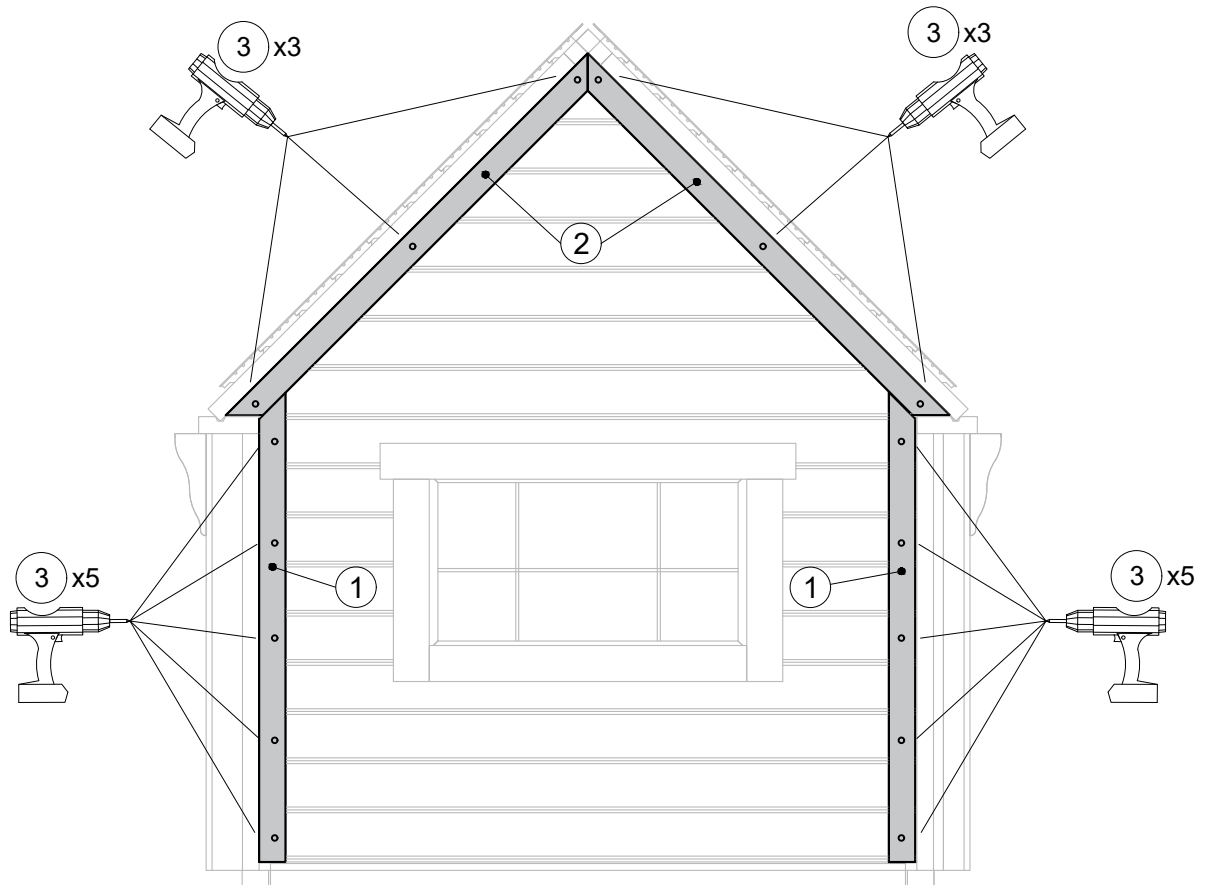


② x2

M-18x70x1355-F  
or  
M-18x50x1320-F



③ x16  
T-GC-3.5x45



## 22. Extension INSIDE FINISHING BOARD



① x4

M-18x70x1105  
or  
M-18x70x1235  
or  
M-18x70x1365

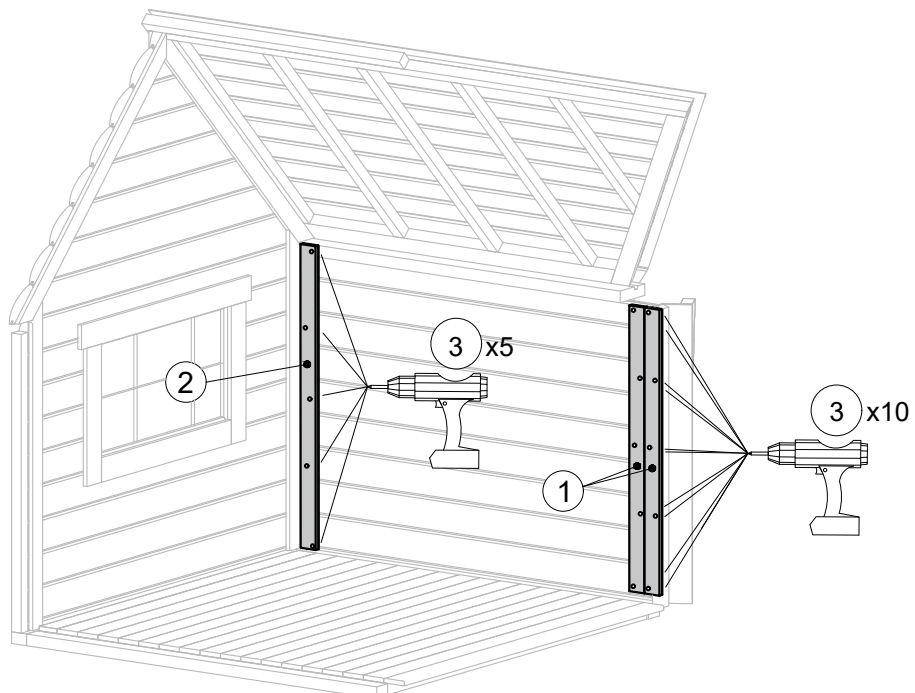
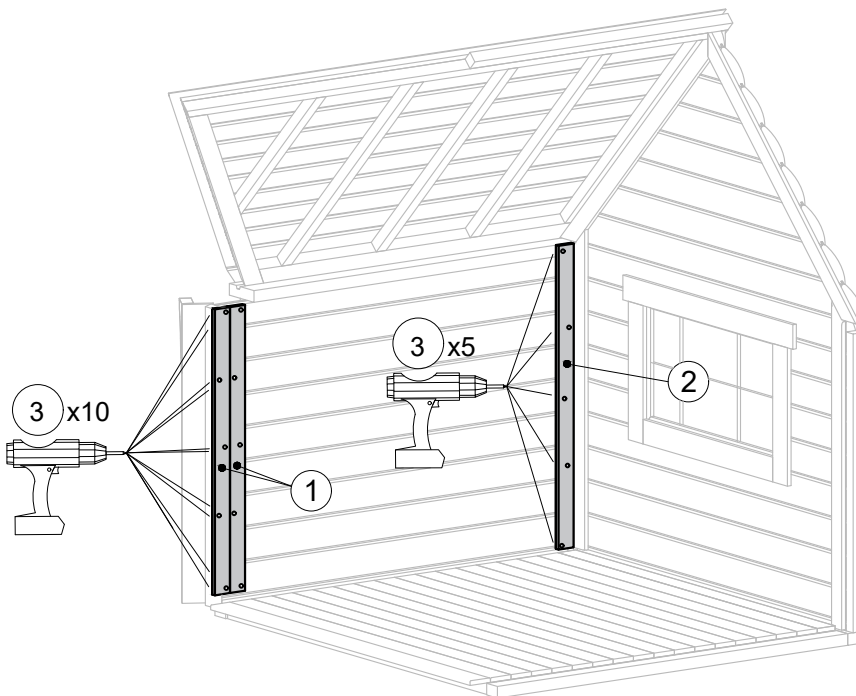


② x2

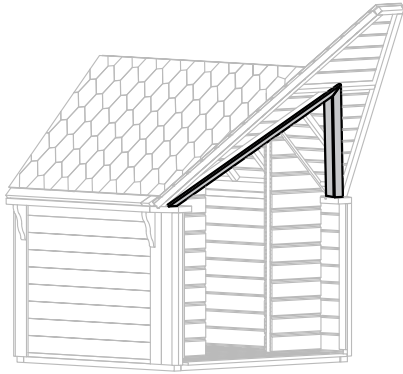
M-18x70x1150  
or  
M-18x70x1280  
or  
M-18x70x1410



③ x30  
T-GC-3.5x45



### 23. Extension INSIDE FINISHING BOARD



① x2

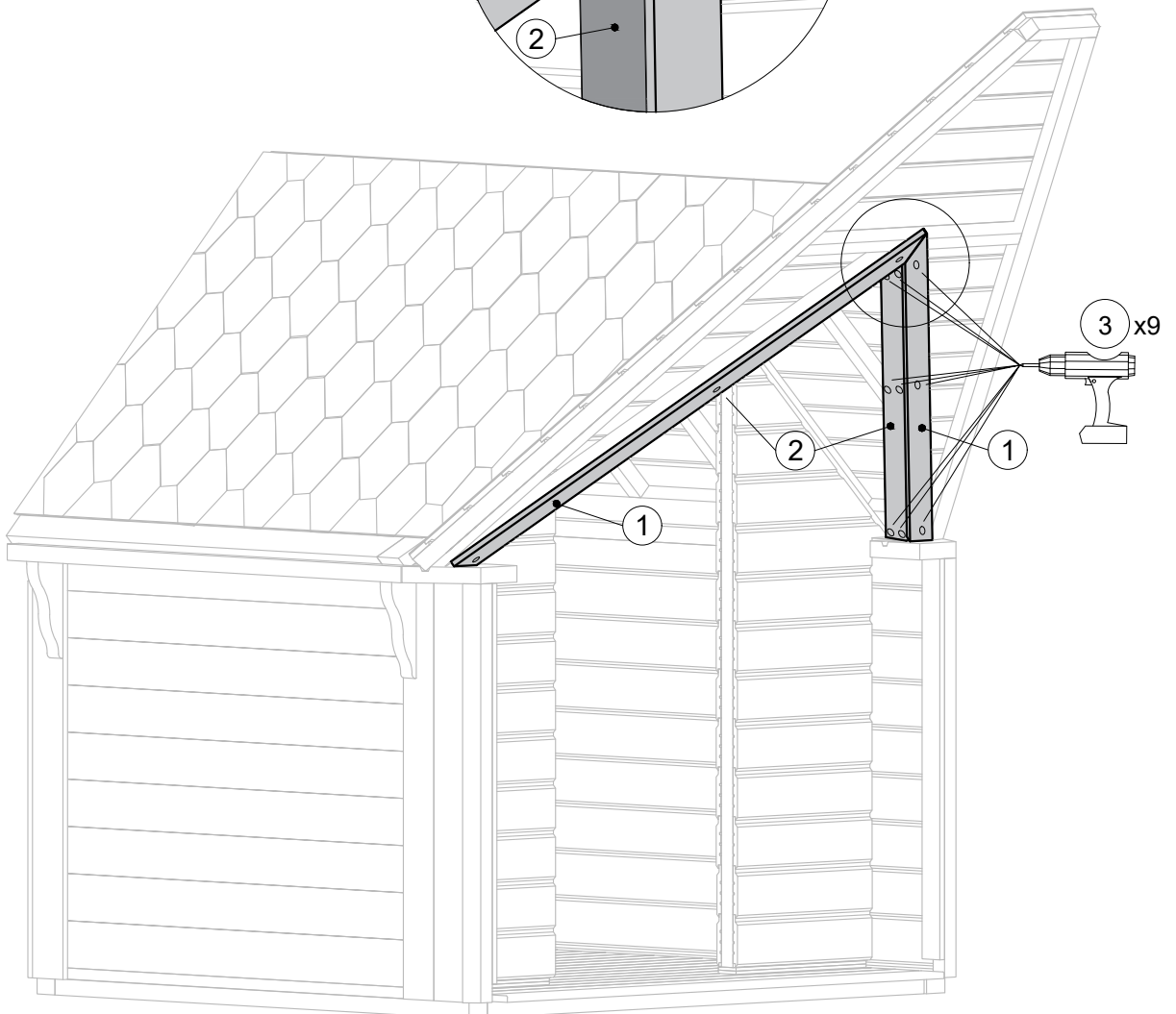
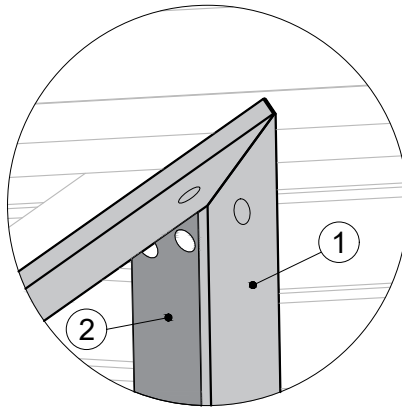
M-18x70x1580-F  
or  
M-18x70x1565-F

② x2

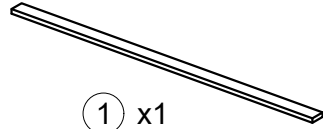
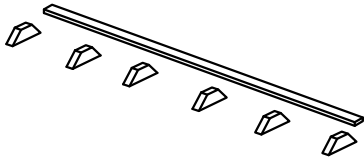
M-18x120x1610-F  
or  
M-18x120x1595-F



③ x18  
T-GC-3.5x45



## 24. Extension INSIDE FINISHING BOARD



① x1

M-18x70x2400  
or  
M-18x70x3200  
or  
M-18x70x3700

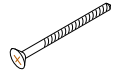


② x 7 (3m<sup>2</sup>)  
or

② x 9 (4.3m<sup>2</sup>)  
or

② x 10 (5.2m<sup>2</sup>)

M-45x70x250-F

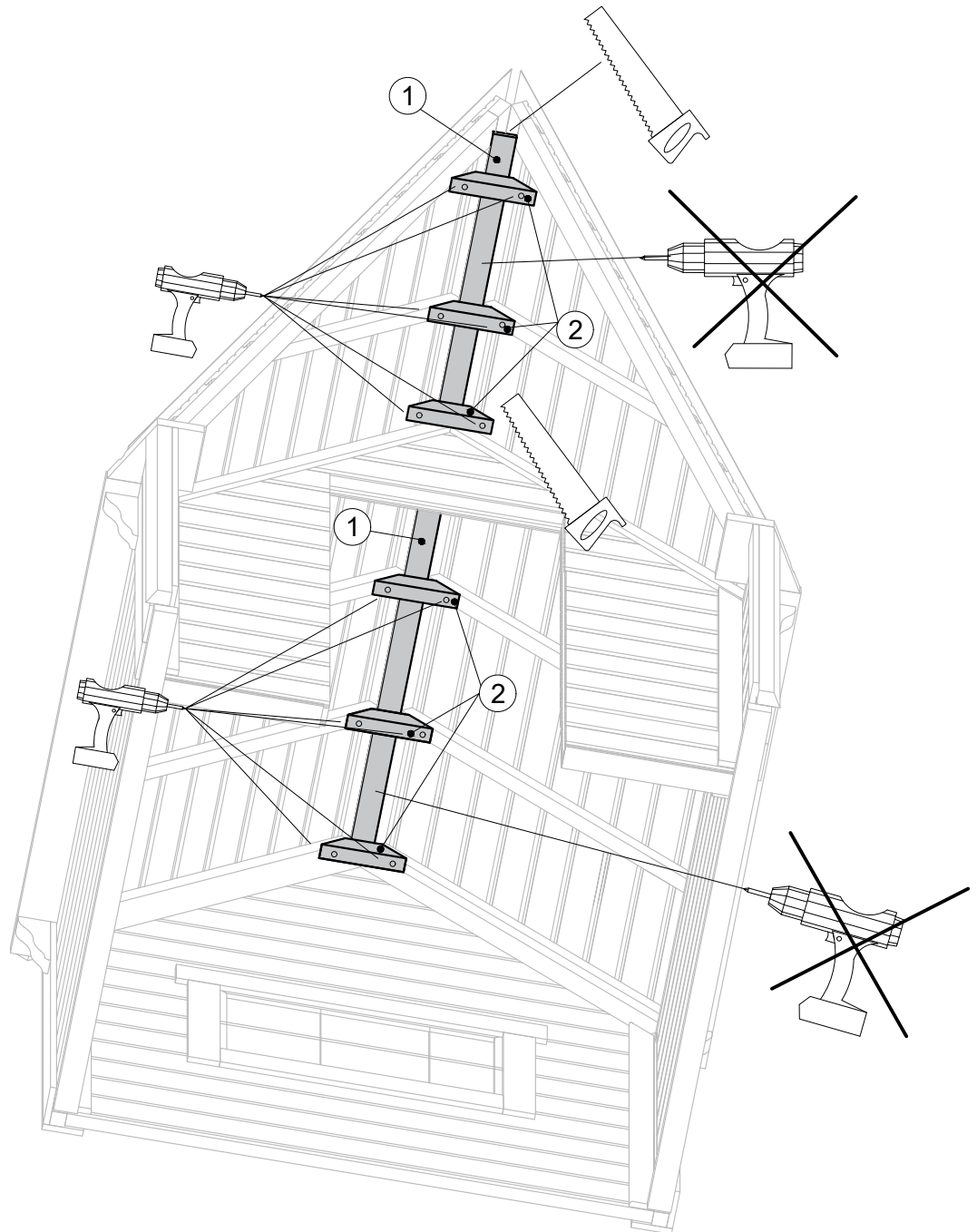


③ x 14 (3m<sup>2</sup>)  
or

③ x 18 (4.3m<sup>2</sup>)  
or

③ x 20 (5.2m<sup>2</sup>)

T-GC-5x80

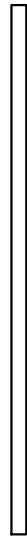




## 25. Extension FLOOR FINISHING BOARD

① x2

M-18x70x1700  
or  
M-18x70x2500  
or  
M-18x70x3000



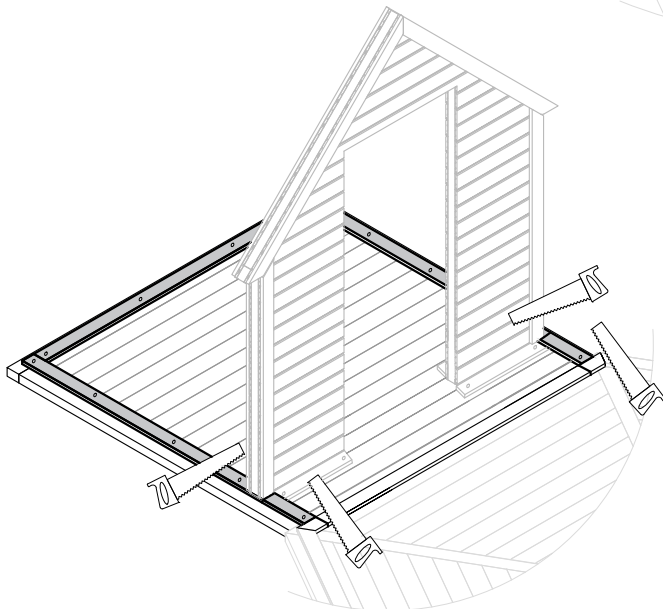
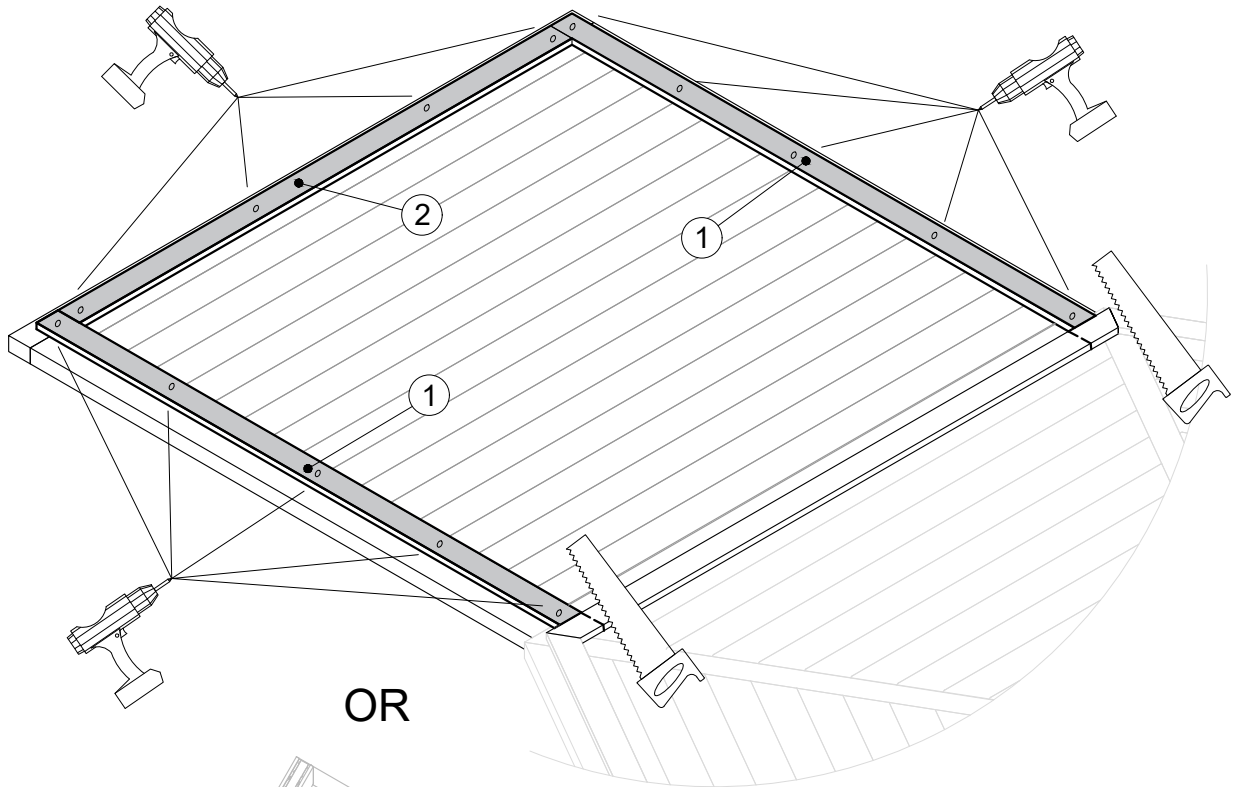
② x1

M-18x70x1599

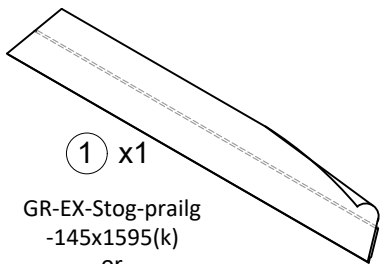


③ x24

T-GC-3.5x45



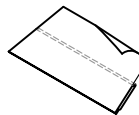
## 26. Extension ROOF FINISHING



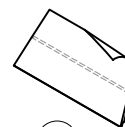
① x1

GR-EX-Stog-prailg  
-145x1595(k)  
or  
GR-EX-Stog-prailg  
-145x2395(k)  
or  
GR-EX-Stog-prailg  
-145x2895(k)

OR

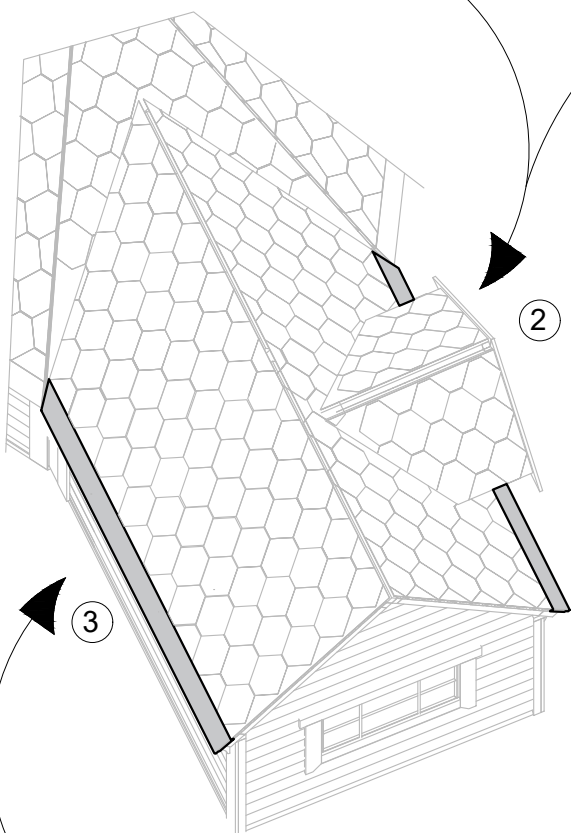


② x1



② x1

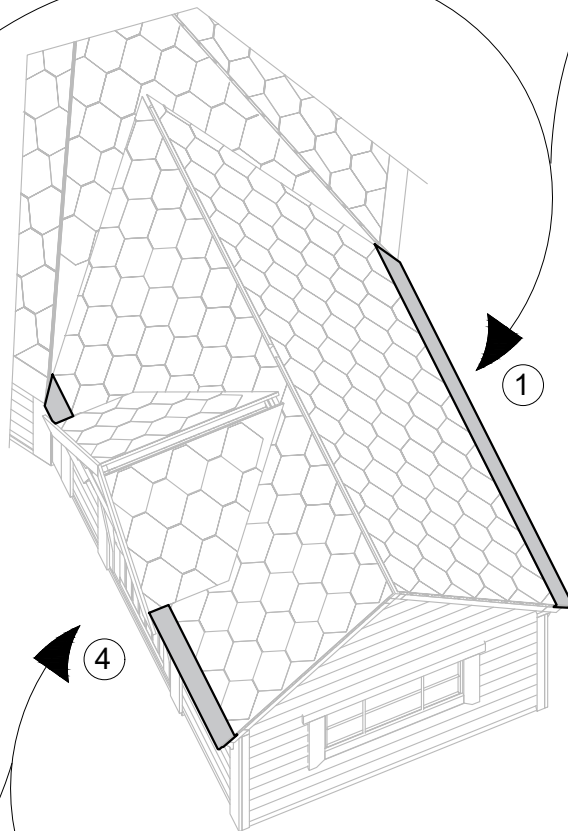
GR-EX-StogD-prailg-648;948-A850(k)  
or  
GR-EX-StogD-prailg-648;728-A1070(k)  
or  
GR-EX-StogD-prailg-648;1448-A850(k)  
or  
GR-EX-StogD-prailg-648;1228-A1070(k)



②

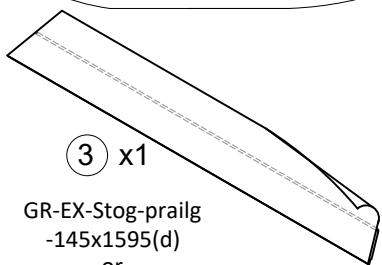
③

OR



①

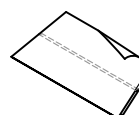
④



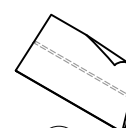
③ x1

GR-EX-Stog-prailg  
-145x1595(d)  
or  
GR-EX-Stog-prailg  
-145x2395(d)  
or  
GR-EX-Stog-prailg  
-145x2895(d)

OR



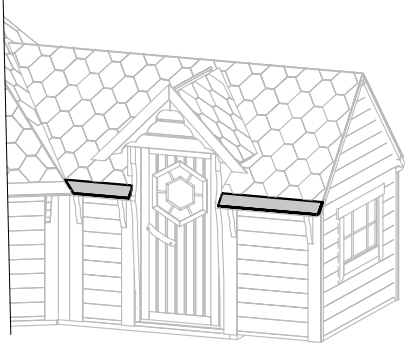
④ x1



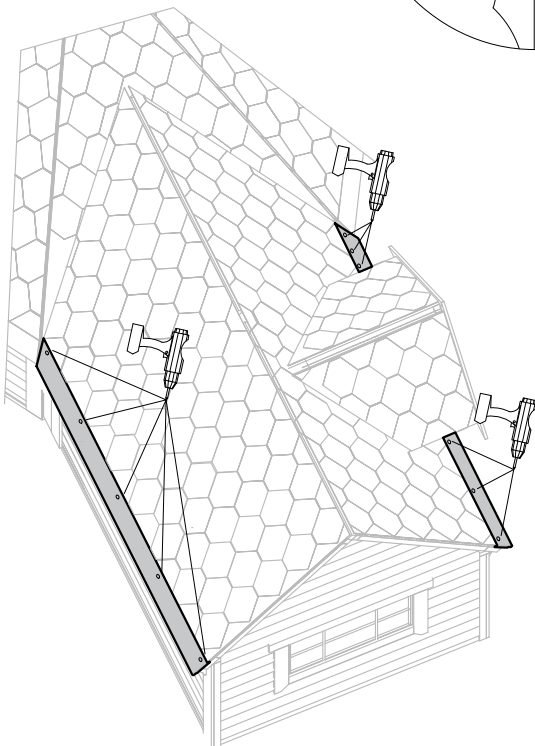
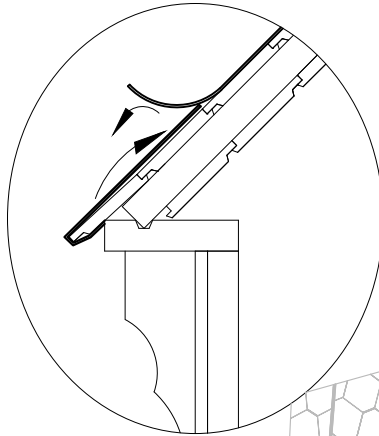
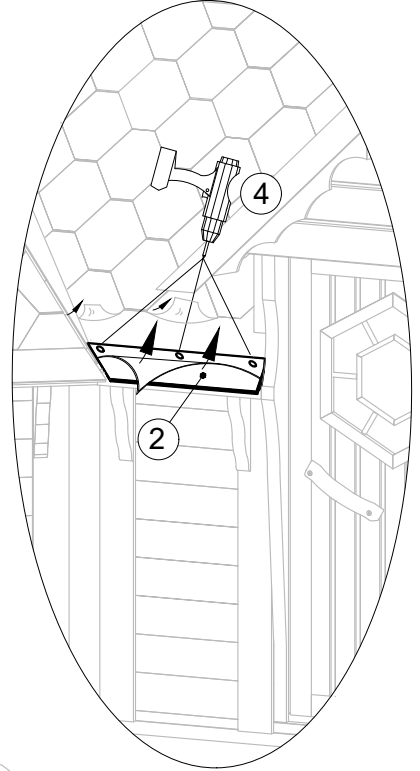
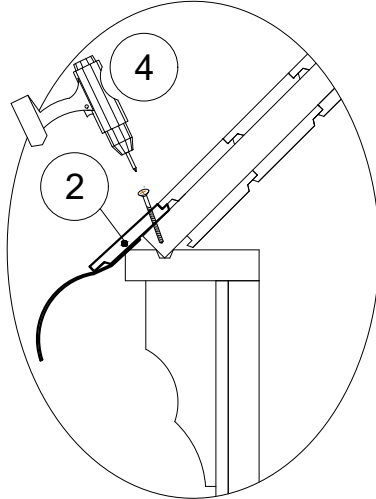
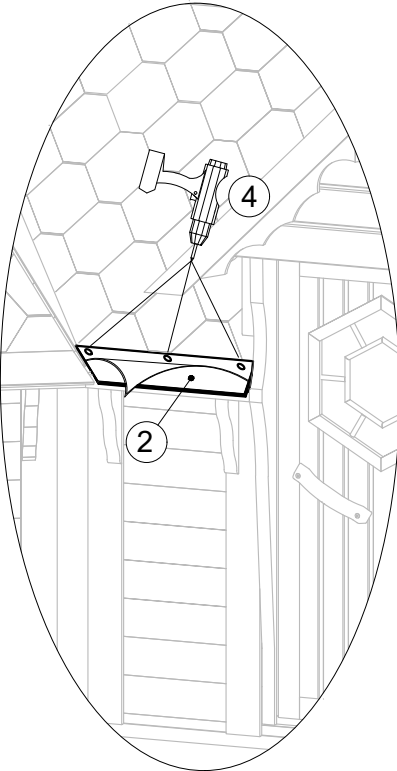
④ x1

GR-EX-StogD-prailg-648;948-A850(d)  
or  
GR-EX-StogD-prailg-648;728-A1070(d)  
or  
GR-EX-StogD-prailg-648;1448-A850(d)  
or  
GR-EX-StogD-prailg-648;1228-A1070(d)

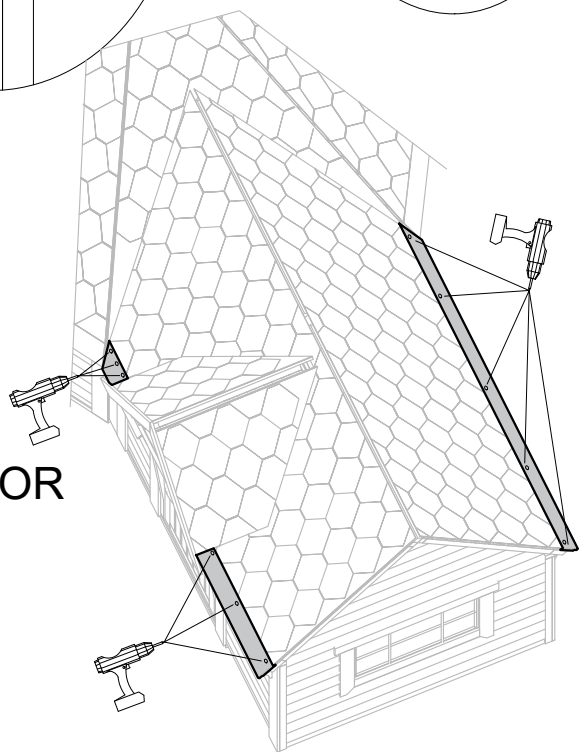
## 26.1 Extension ROOF FINISHING



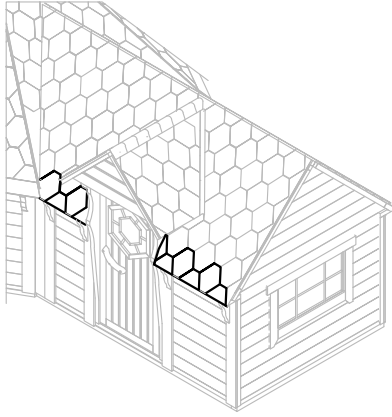
① x10  
T-BC-4x50



OR

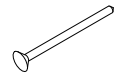


## 26.2 Extension ROOF FINISHING



① x8

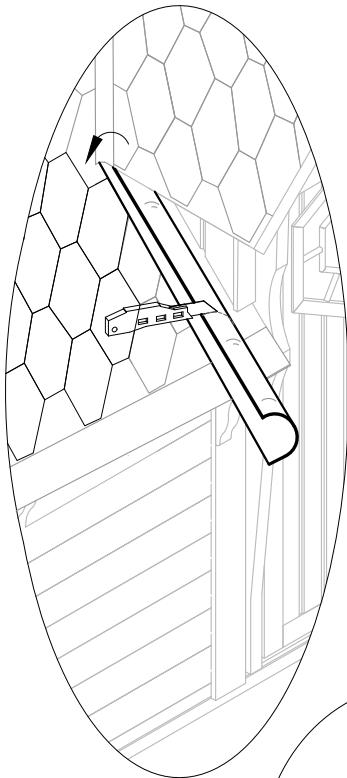
Bitumenes-cerpes  
-3x317x1000



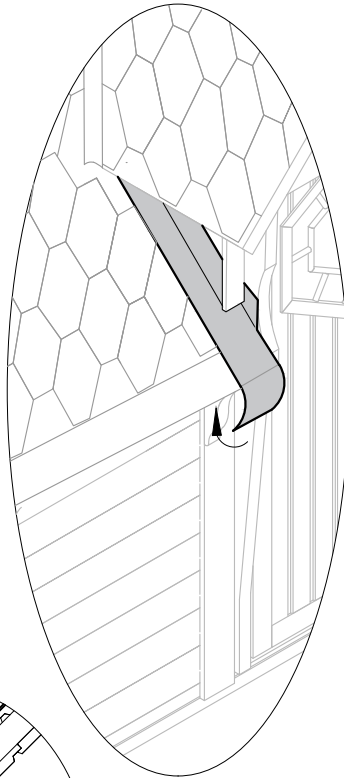
② x160

T-V-2x20

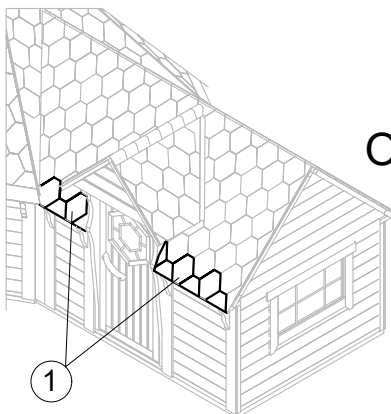
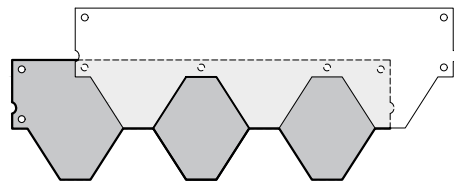
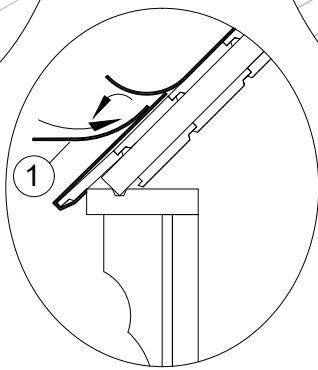
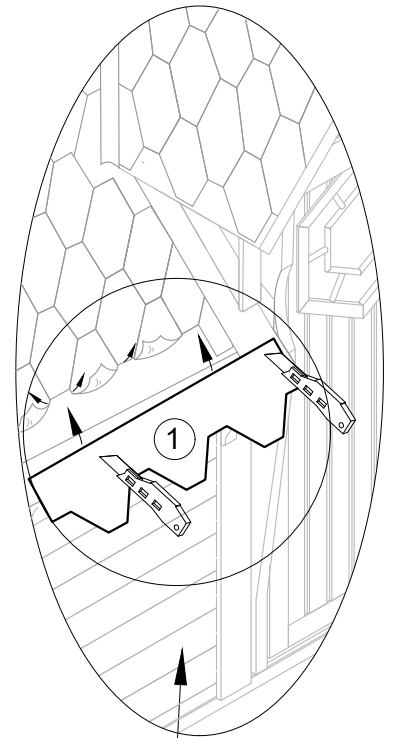
1 Step



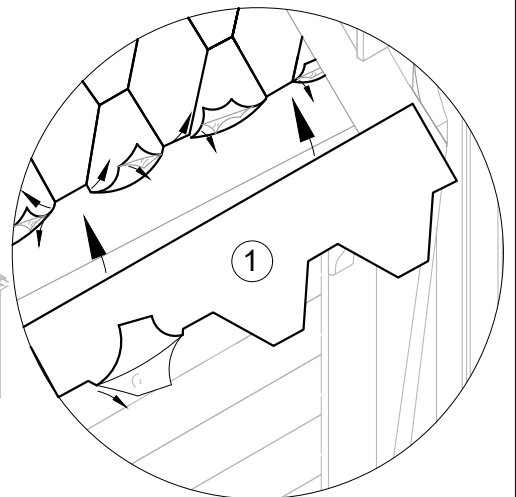
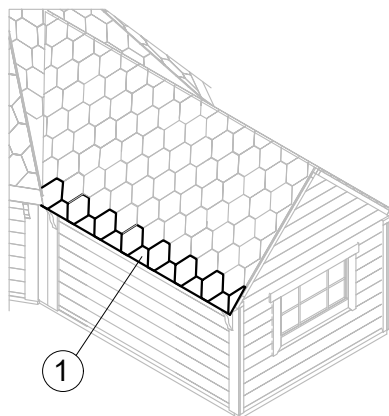
2 Step



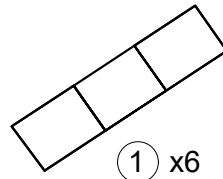
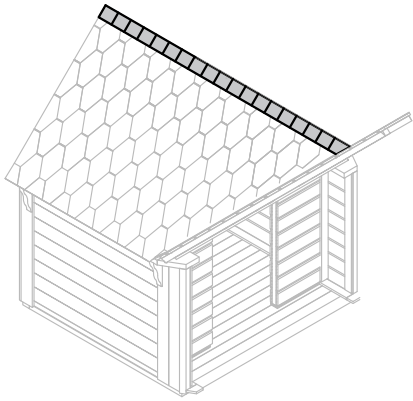
3 Step



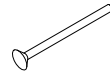
OR



## 26.3 Extension ROOF FINISHING



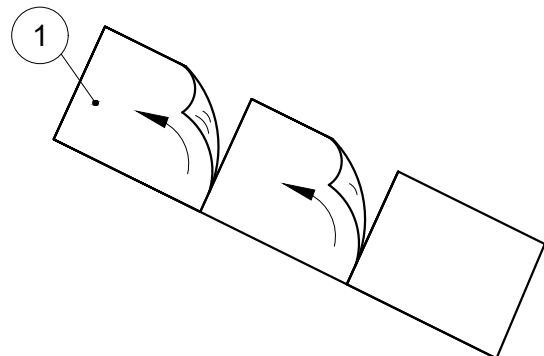
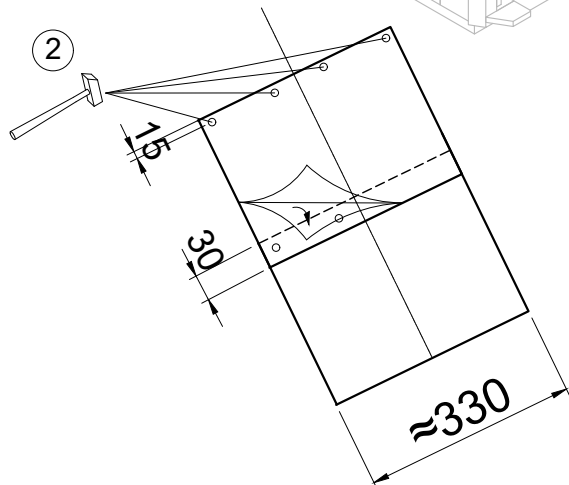
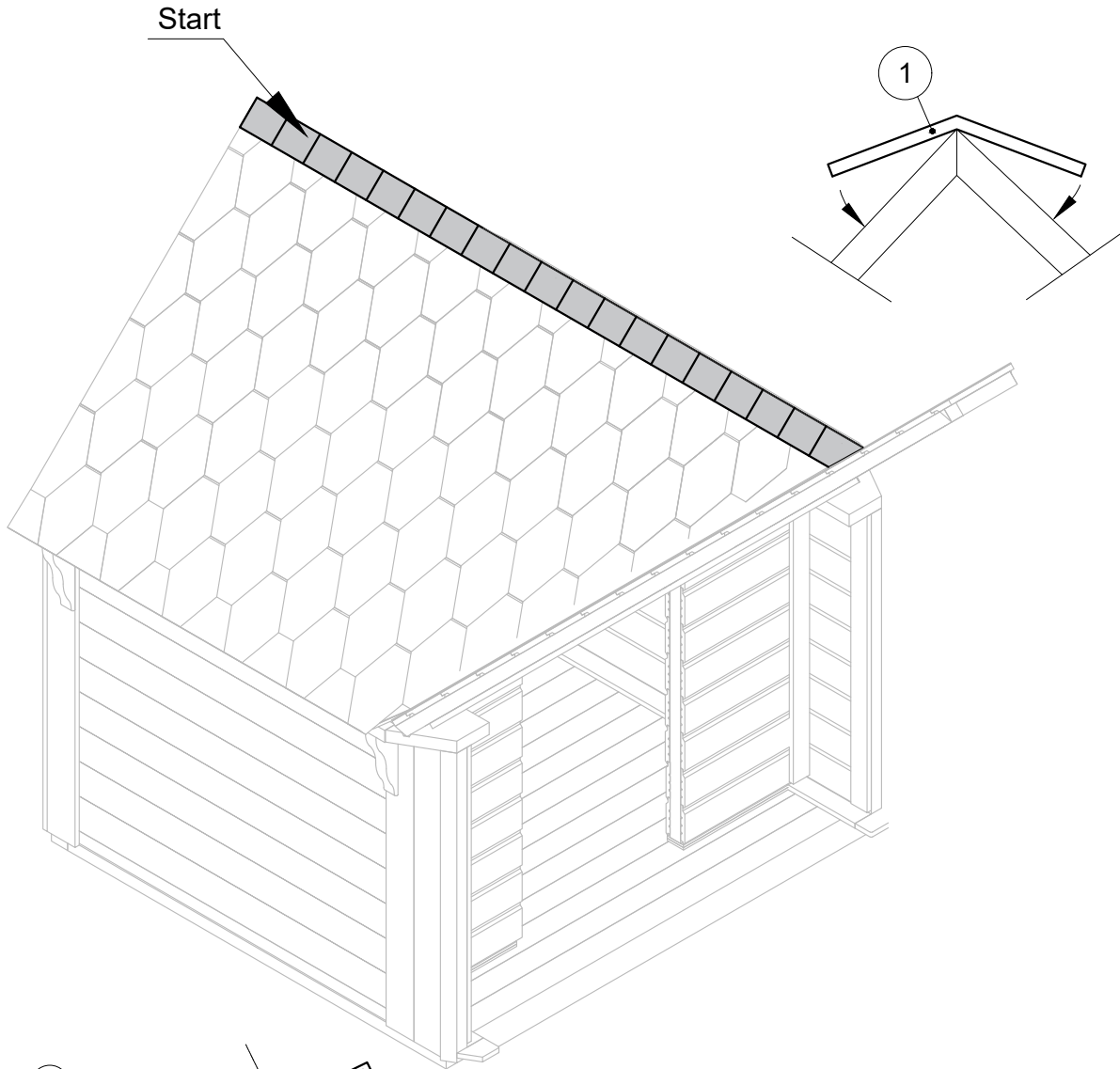
Bitumines-  
cerpes-3x1000x250



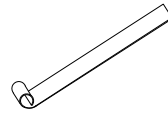
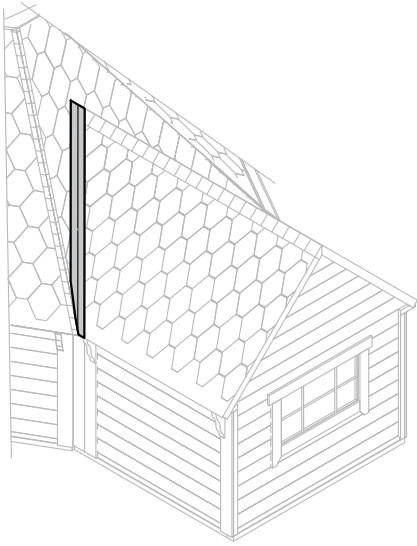
② x 160

T-V-2x20

Start

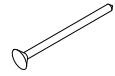


## 26.4 Extension ROOF FINISHING



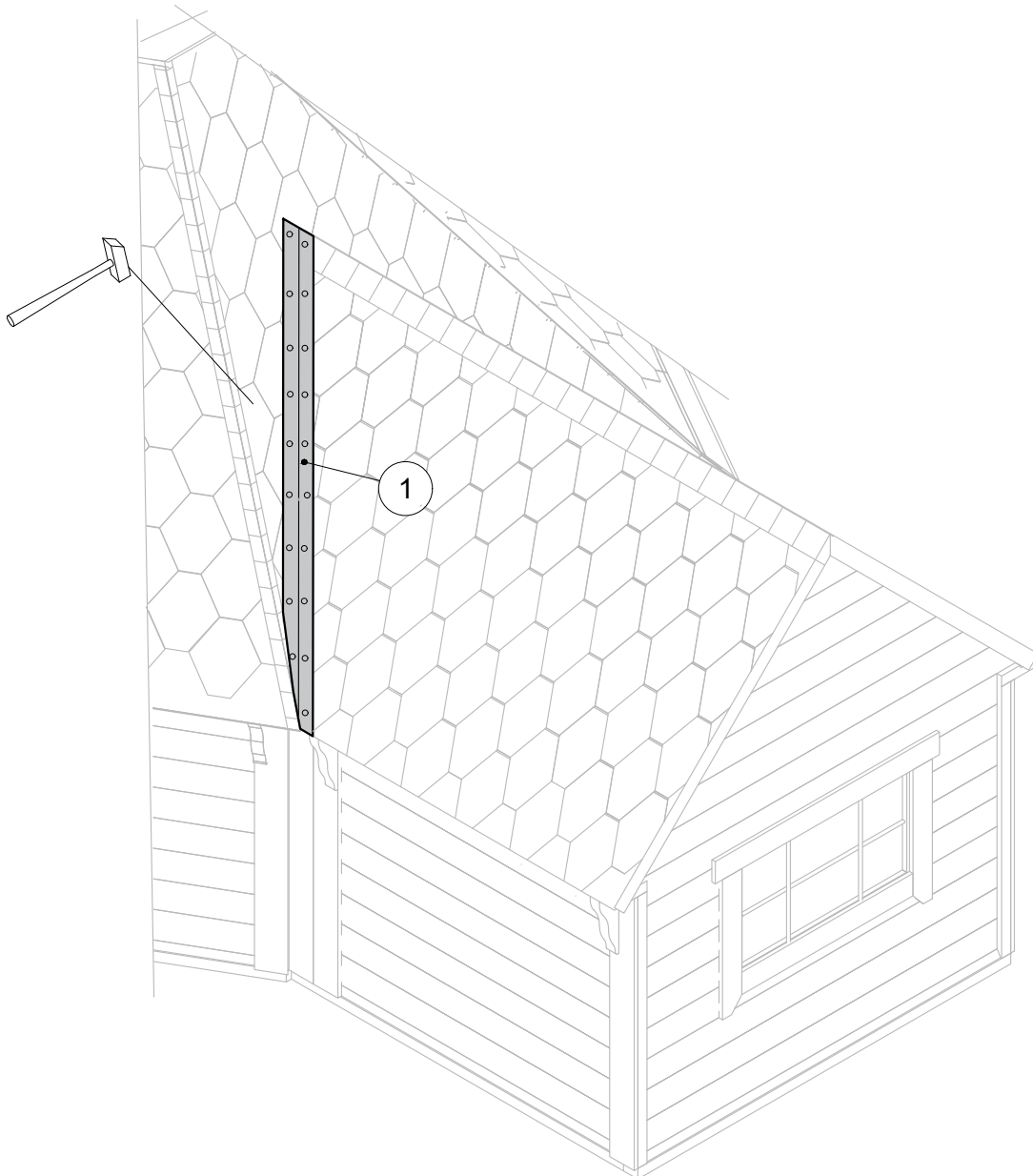
① x2

Bitumine-  
juosta-3x200x2500

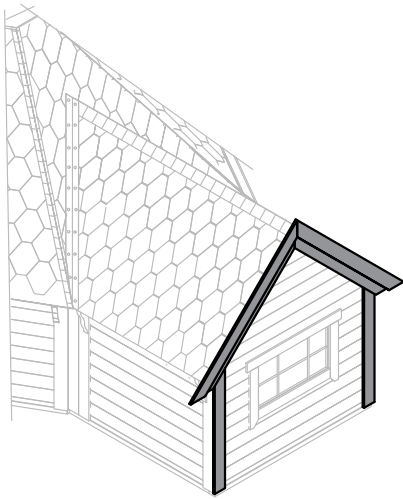


② x 50

T-V-2x20



## 27. Extension OUTSIDE FINISHING BOARD



① x2

M-18x120x1213-F  
or  
M-18x120x1343-F  
or  
M-18x120x1473-F

② x2

M-18x95x1534-F

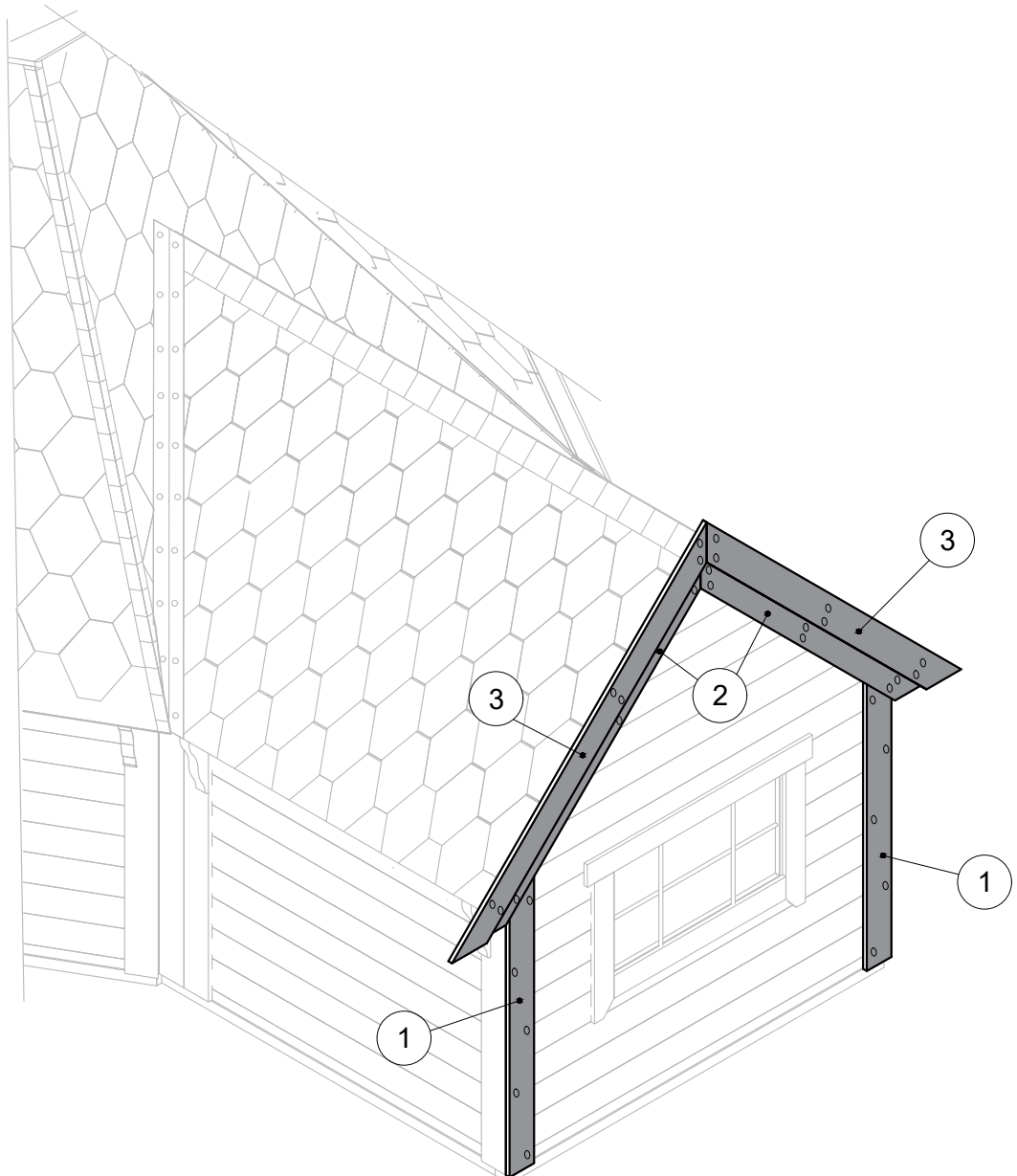
③ x2

M-18x120x1760-F



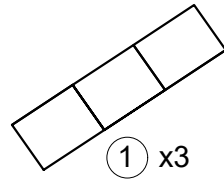
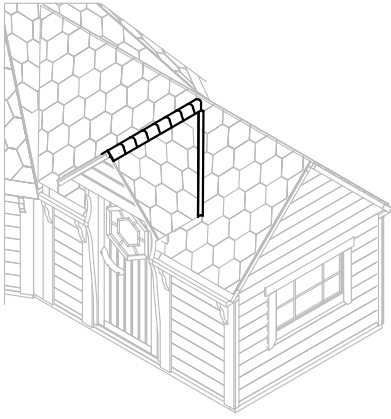
④ x35

T-BC-4x50

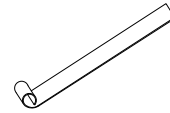




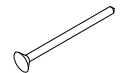
## 28. Extension ENTRANCE ROOF FINISHING



Bitumines-  
cerpes-3x1000x250

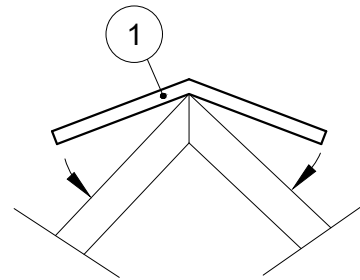
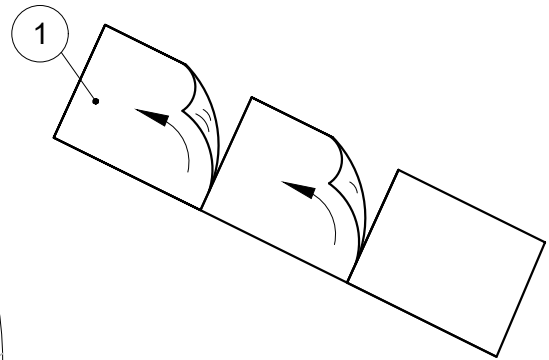
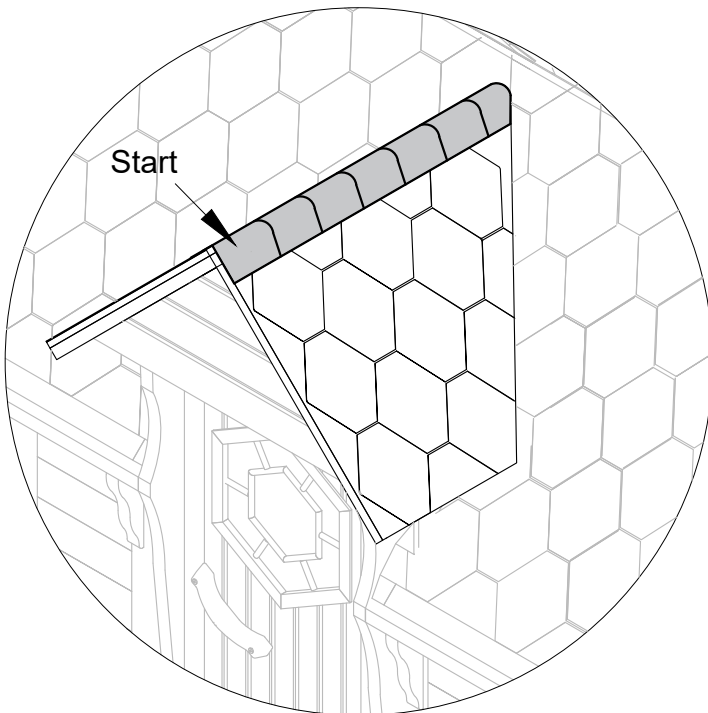


Bitumine-  
juosta-3x70x1360  
or  
Bitumine-  
juosta-3x70x1550

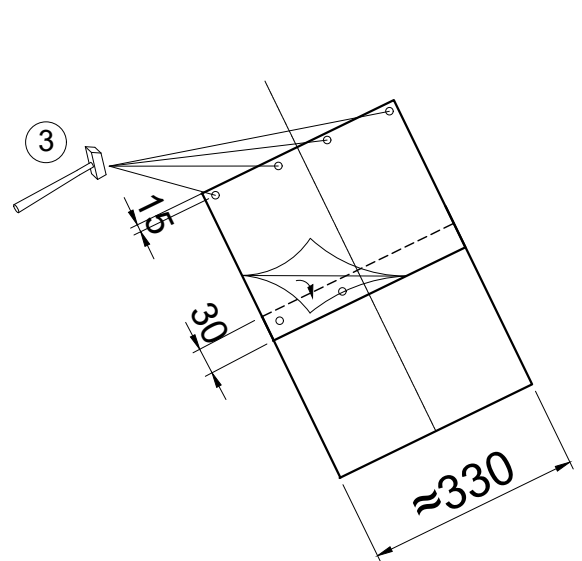
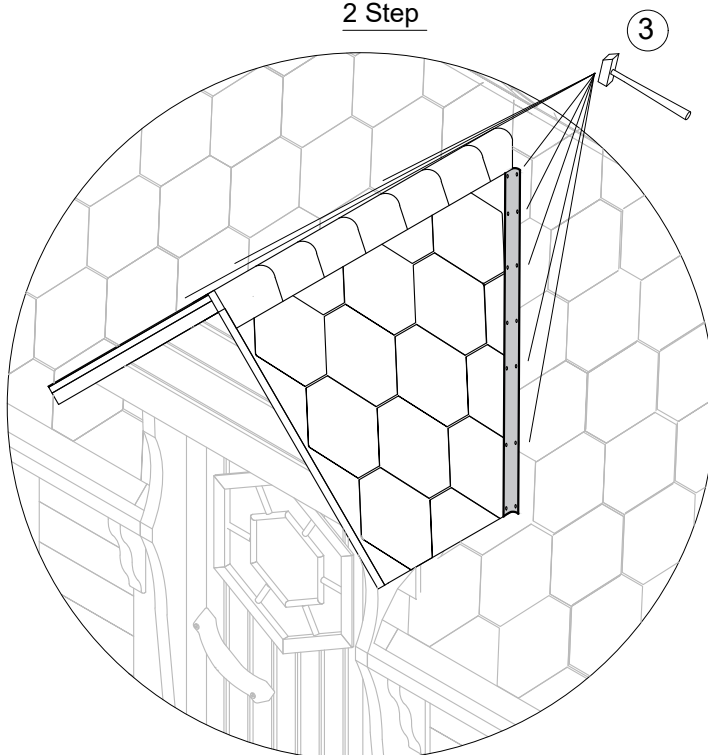


T-V-2x20

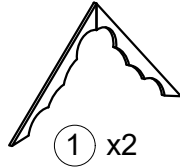
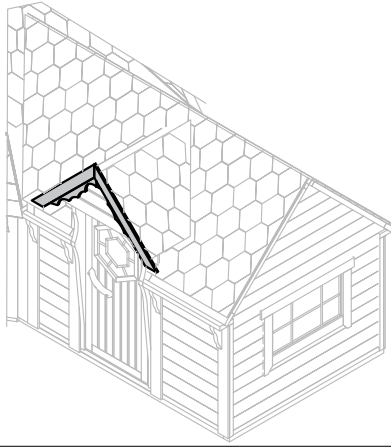
### 1 Step



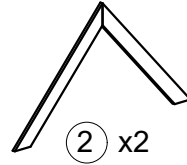
### 2 Step



## 29. Extension OUTSIDE FINISHING BOARD



① x2  
M-18x95x820-CNC  
or  
M-18x95x981-CNC

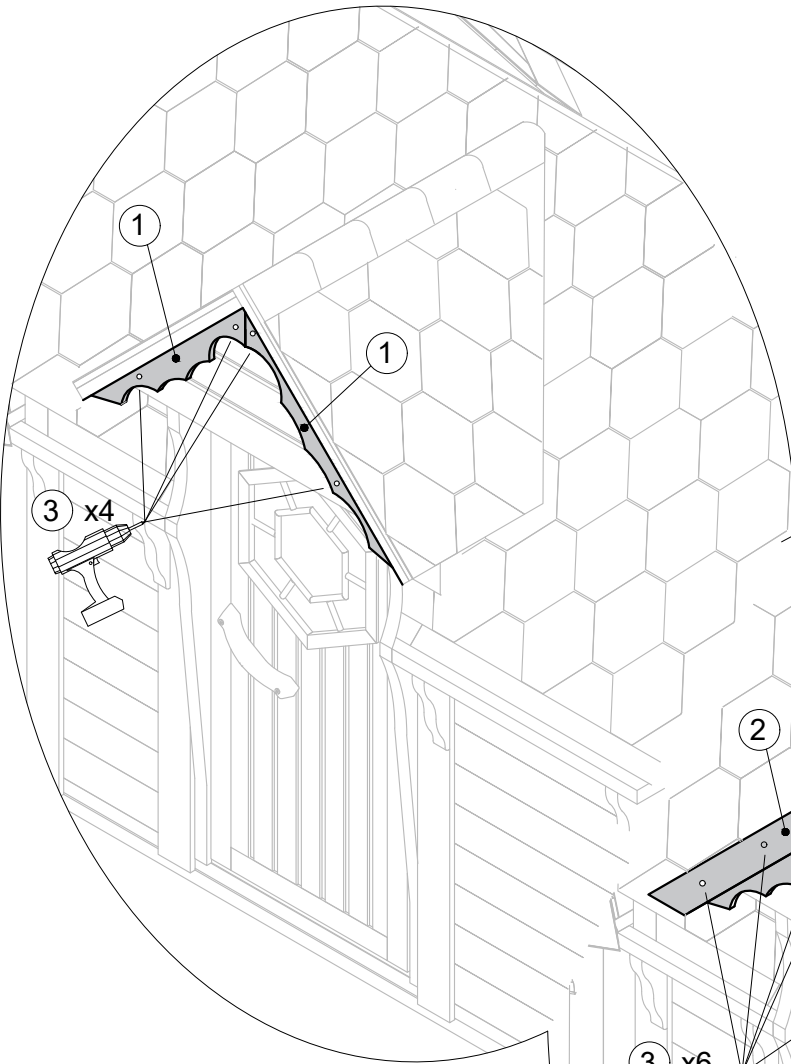


② x2  
M-18x95x1050-F  
or  
M-18x95x1211-F

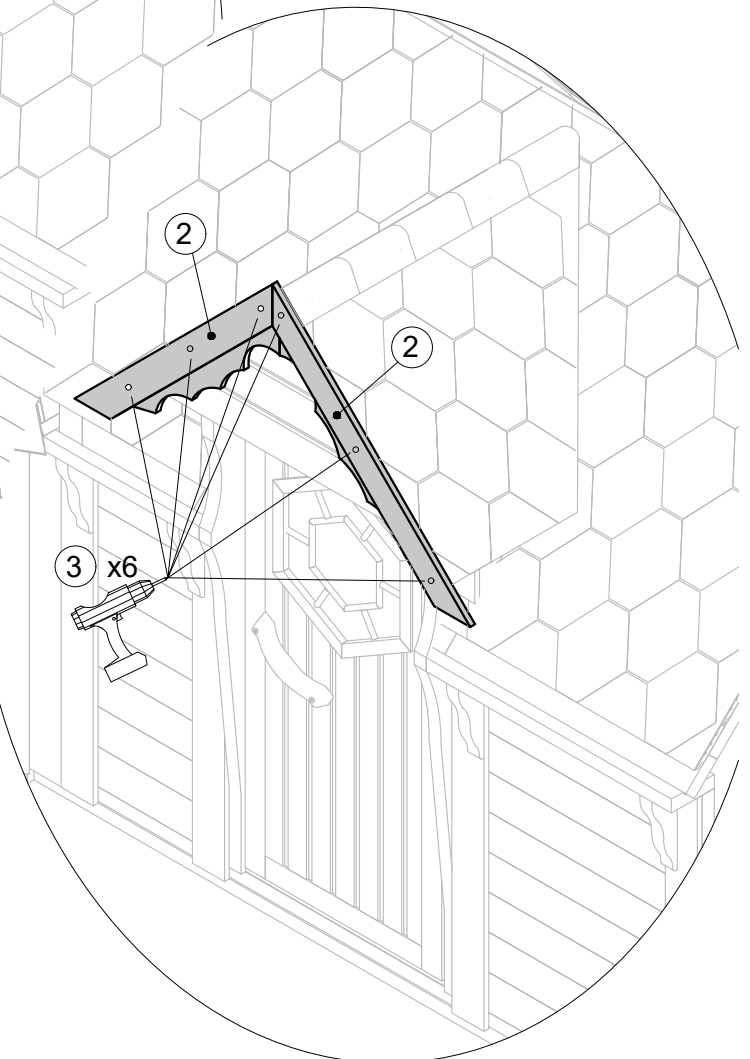


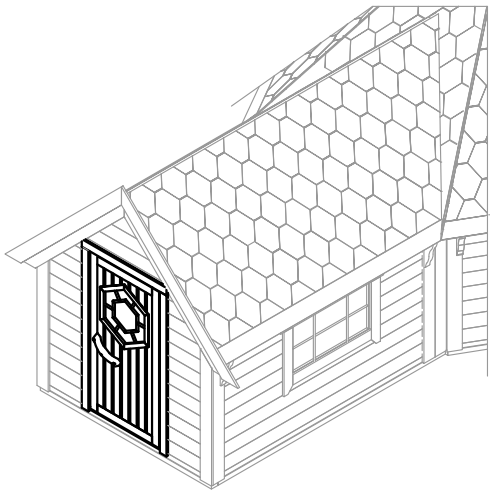
③ x10  
T-GC-3.5x45

### 1 Step



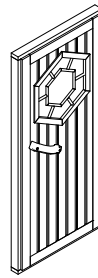
### 2 Step



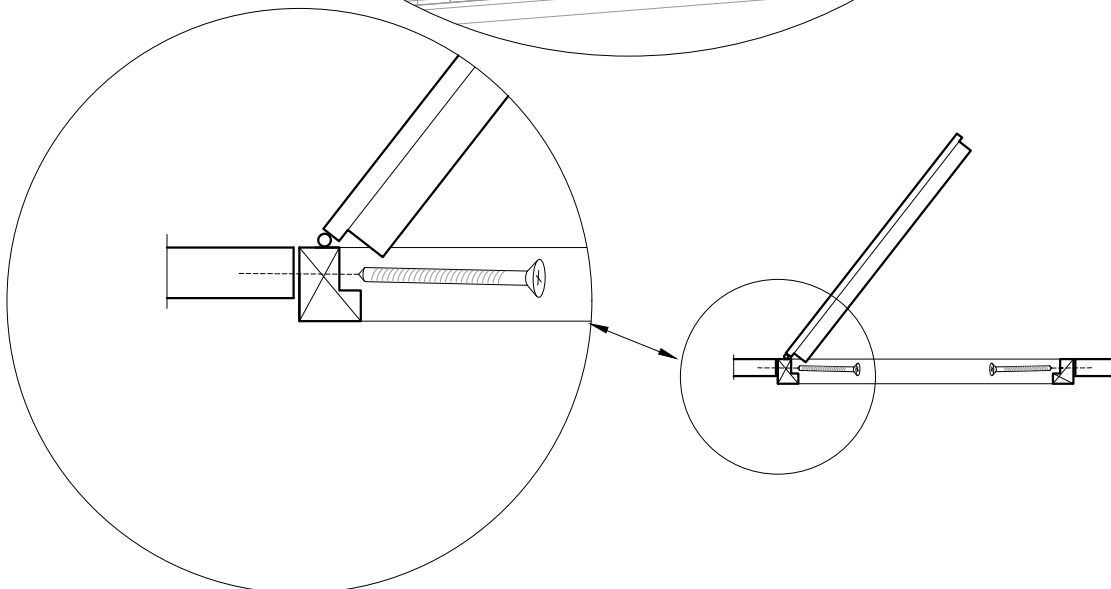
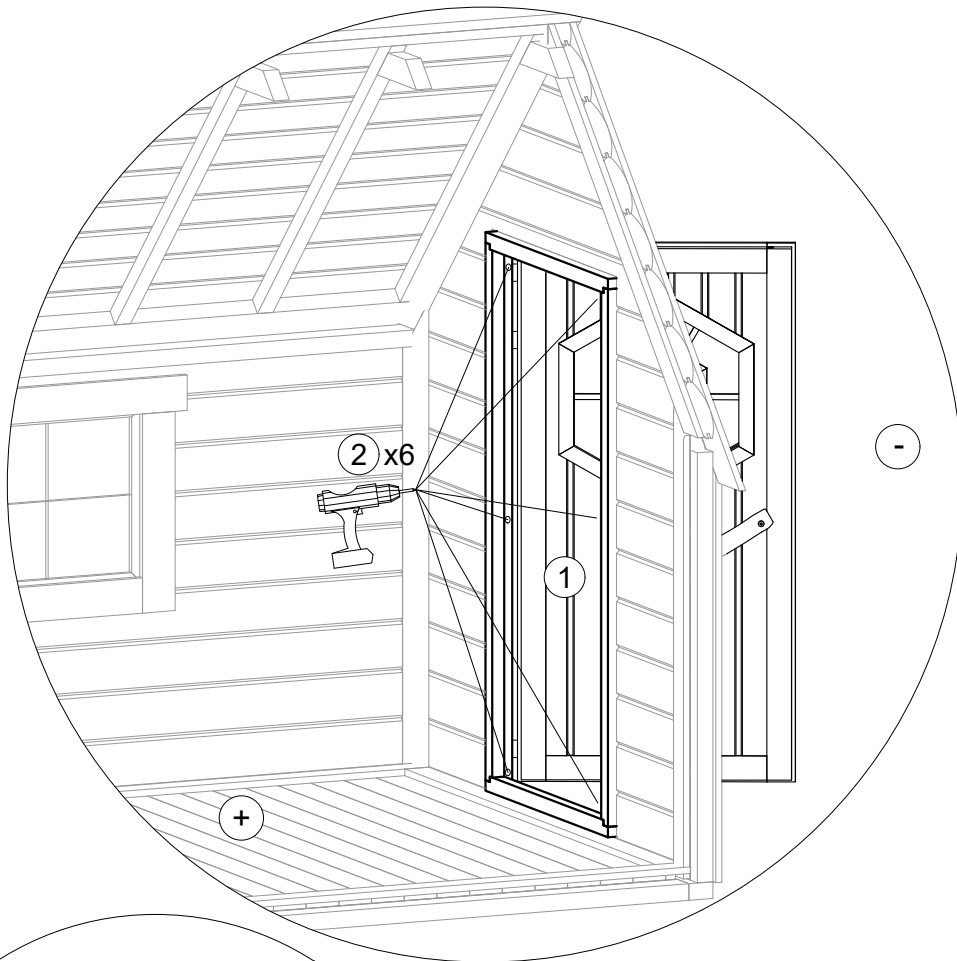


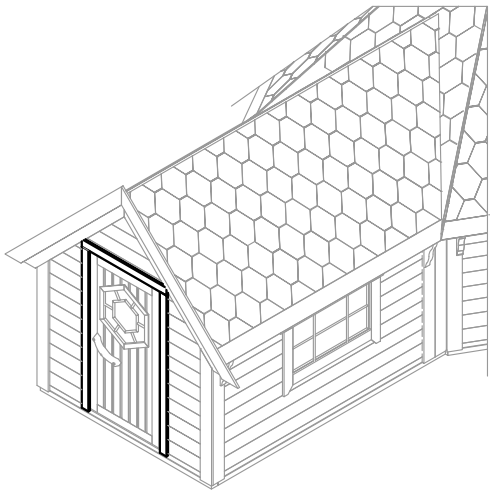
### 30. Extension OUTSIDE DOOR

① x1  
PUS0001  
or  
PUS0013  
or  
PUS00320  
or  
PUS00060  
or  
PUS00321



② x6  
T-GC-5x100





### 31. Extension OUTSIDE DOOR FINISHING BOARD

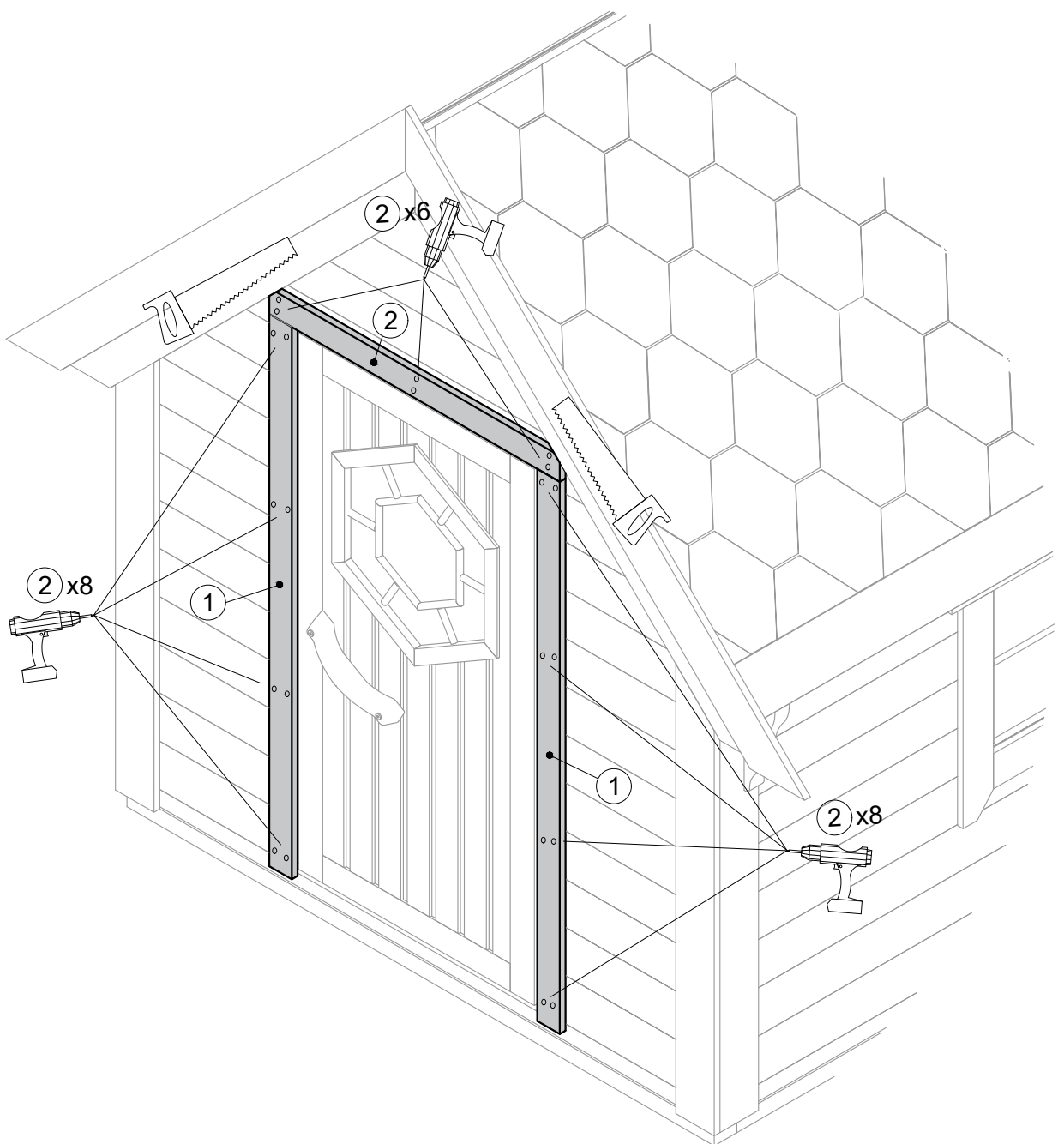
① x2  
M-18x70x1490  
or  
M-18x70x1620  
or  
M-18x70x1750

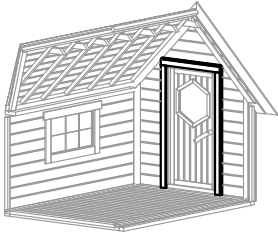


② x1  
M-18x70x905  
or  
M-18x70x1120



③ x22  
T-GC-3.5x45





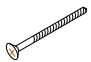
## 31.1 Extension INSIDE DOOR FINISHING BOARD

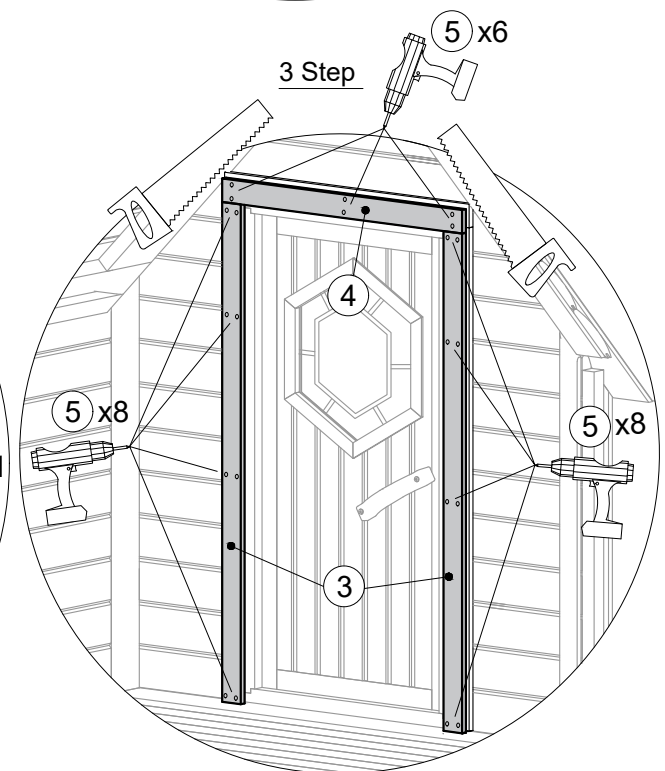
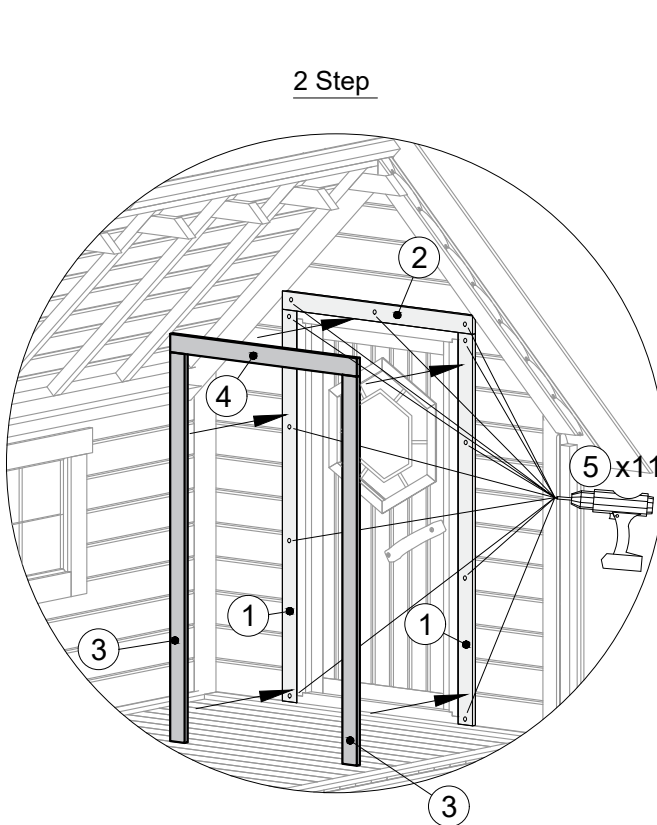
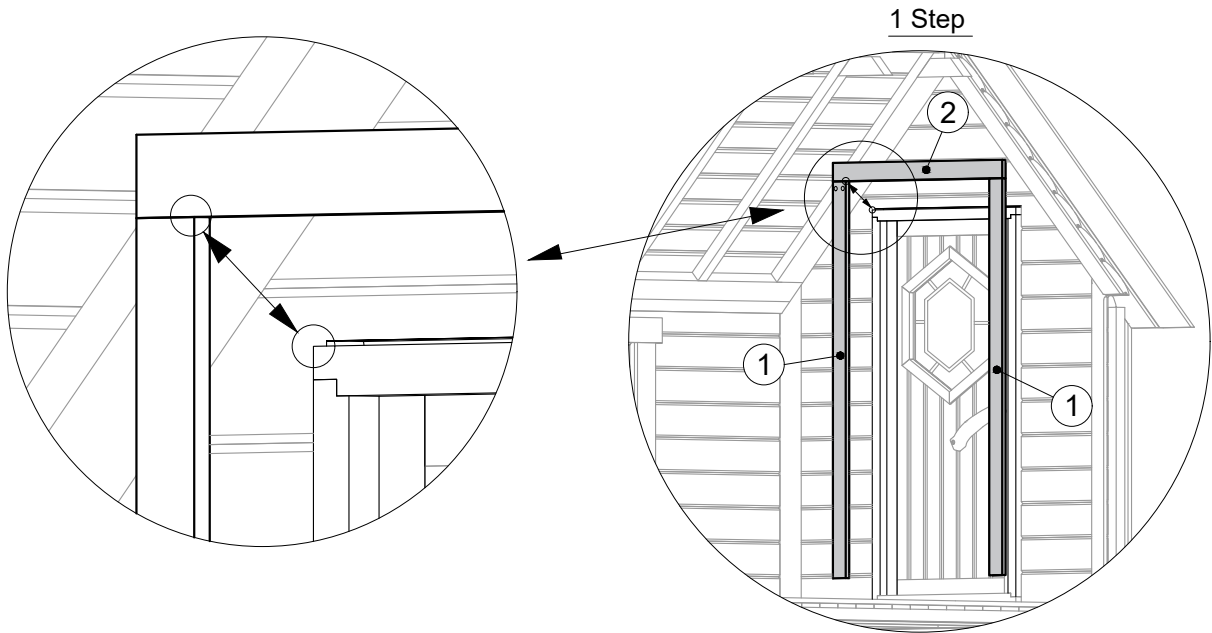
① x2  
M-18x70x1500  
or  
M-18x70x1630  
or  
M-18x70x1760

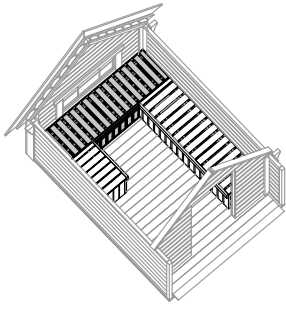
② x1  
M-18x70x925  
or  
M-18x70x1140

③ x2  
M-18x70x1490  
or  
M-18x70x1620  
or  
M-18x70x1750

④ x1  
M-18x70x905  
or  
M-18x70x1120

 ⑤ x33  
T-GC-3.5x45





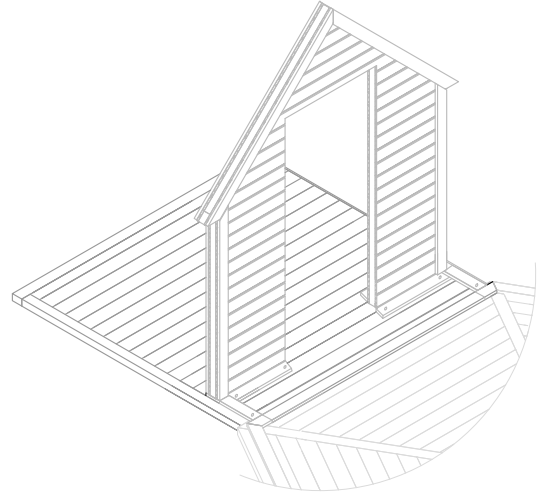
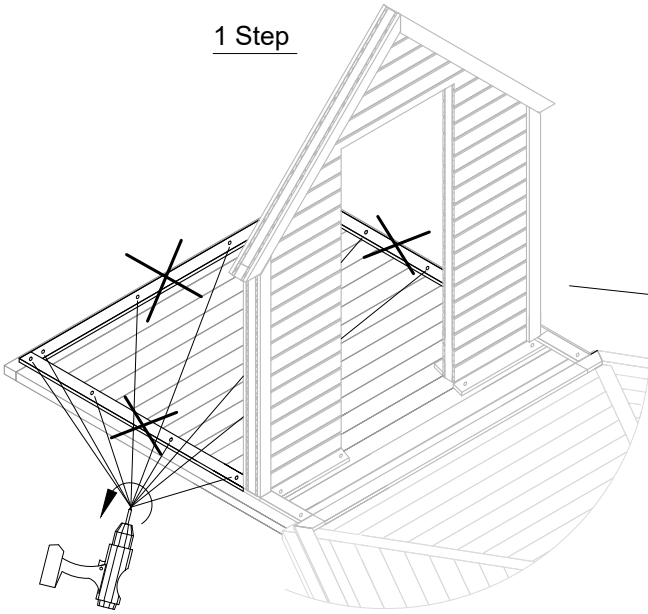
① x4  
Gultas-koja-411x420

## 32. Extension SAUNA BENCHES

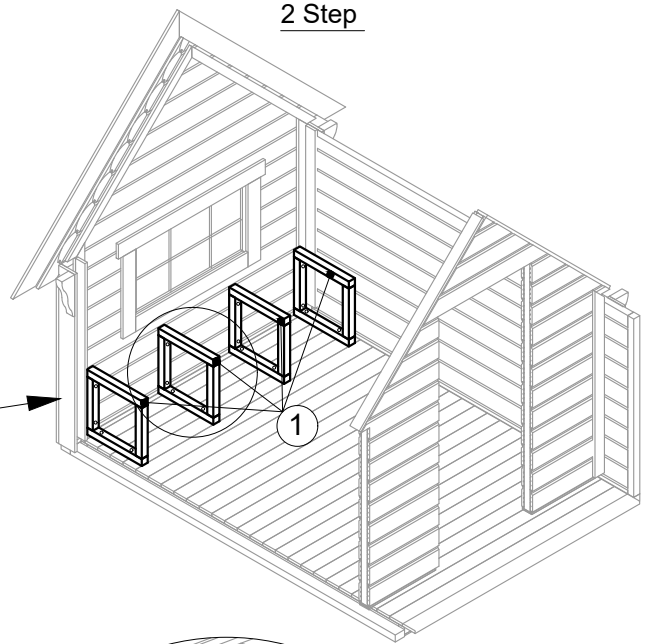
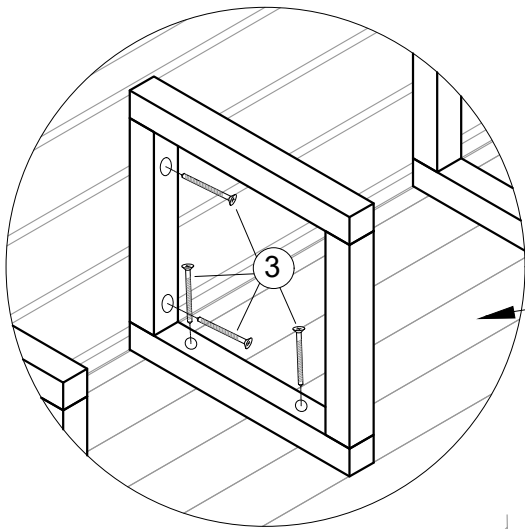
② x1  
Gultas-son-444x1695

③ x24  
T-GC-5x80

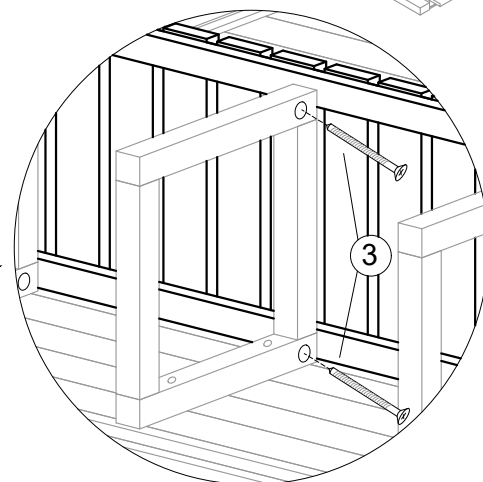
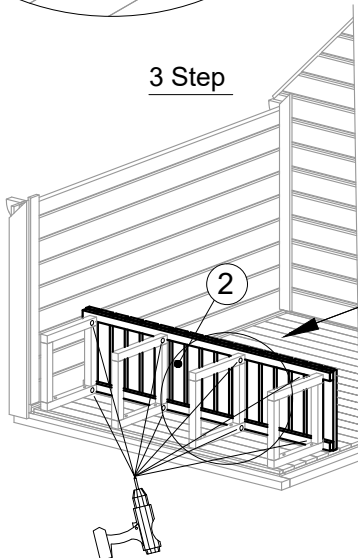
1 Step



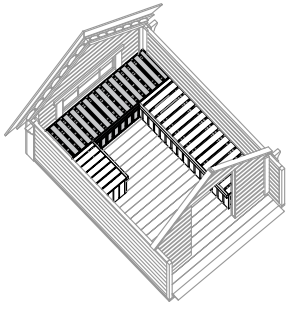
2 Step



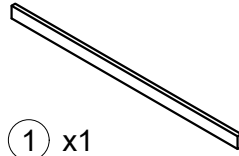
3 Step



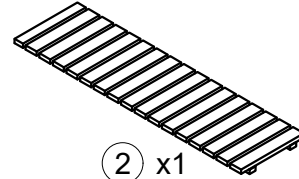




### 32.1 Extension SAUNA BENCHES



① x1  
Mpl-28x82x1695

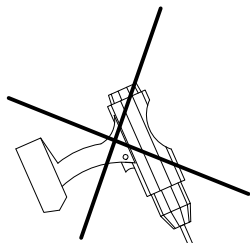
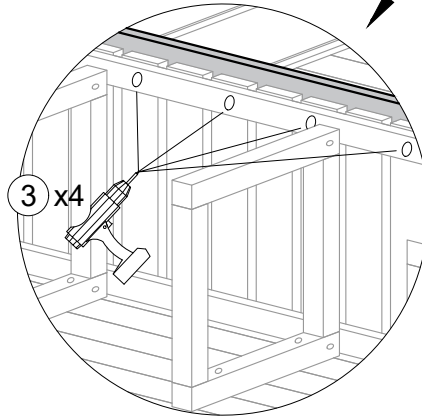
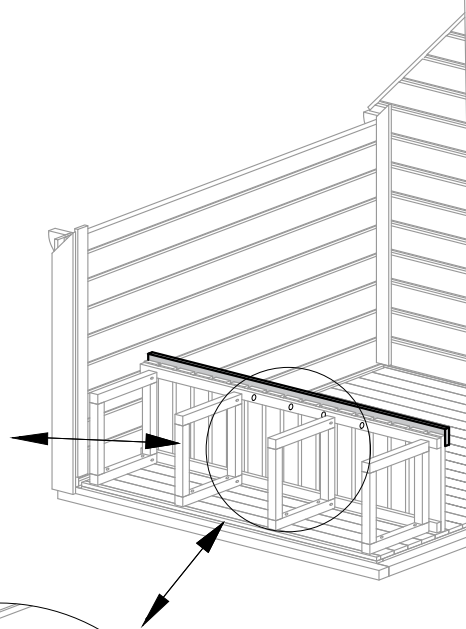
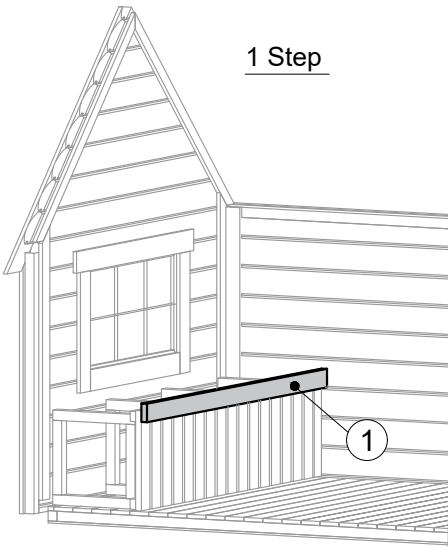


② x1  
Gultas-virs-470x1695

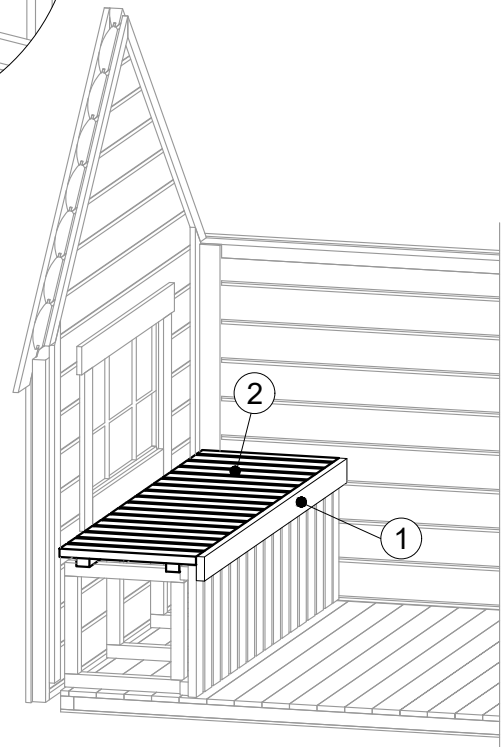
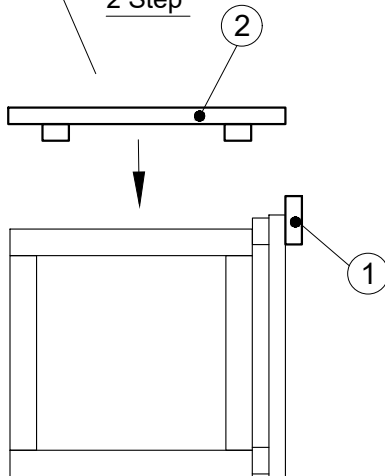


③ x4  
T-GC-5x80

1 Step

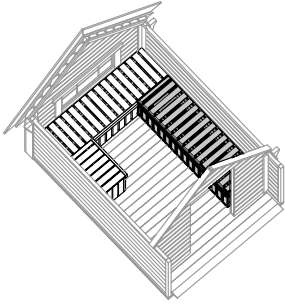


2 Step

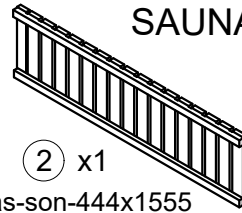




## 32.2 Extension SAUNA BENCHES



① x5 or (4)  
Gultas-koja-411x420

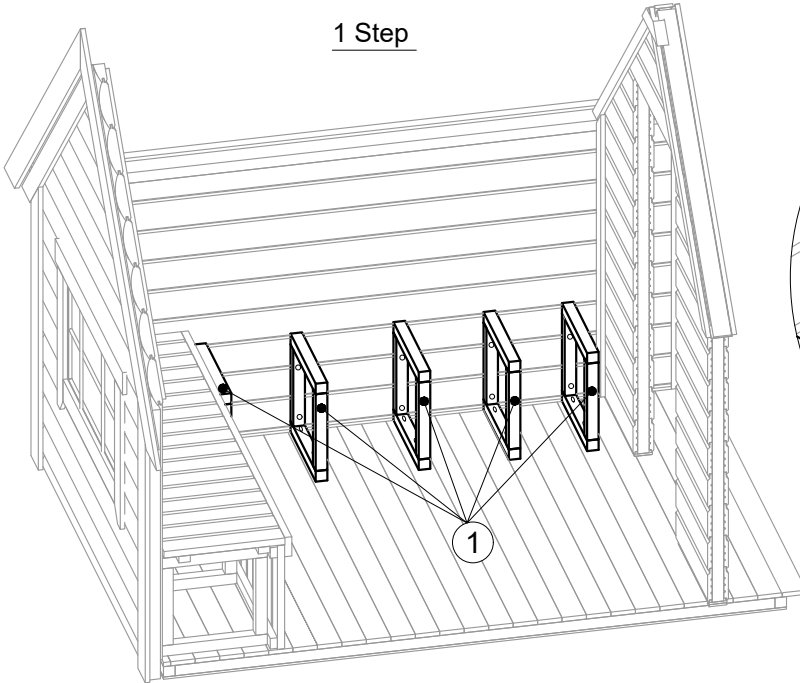


② x1  
Gultas-son-444x1555  
or  
Gultas-son-444x2055

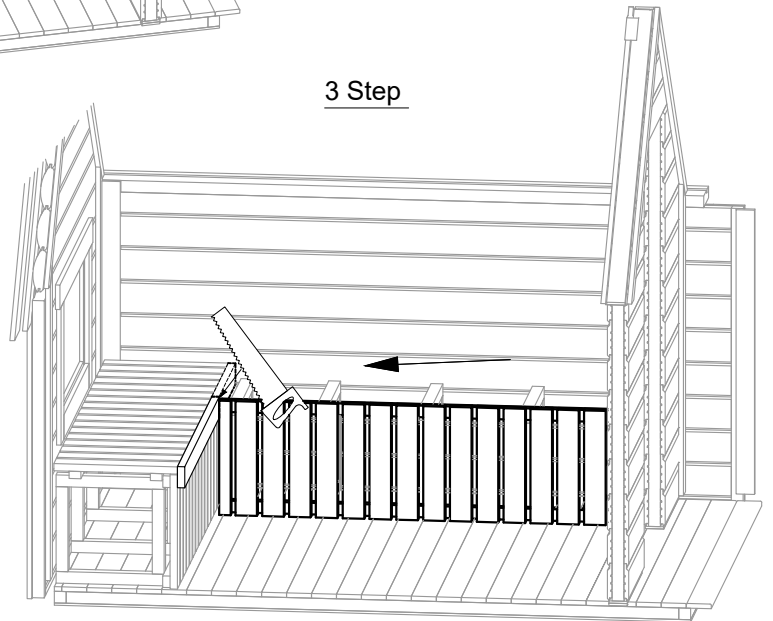


③ x30  
T-GC-5x80

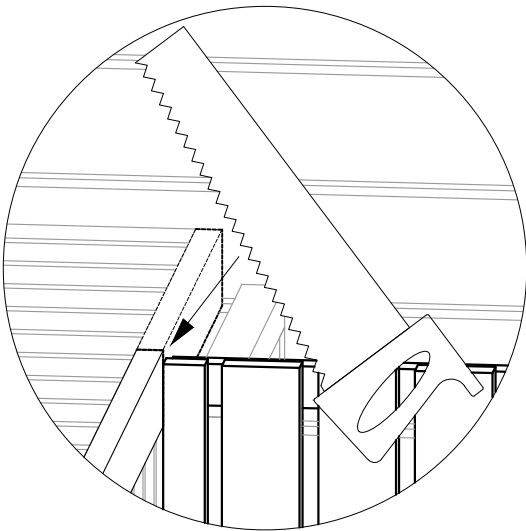
1 Step



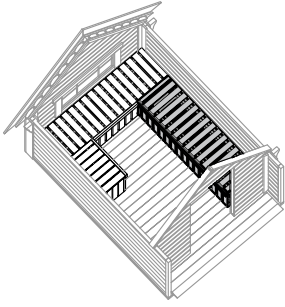
3 Step



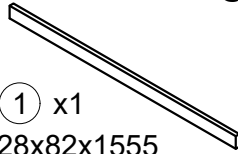
2 Step



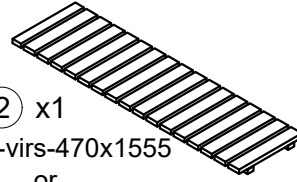
### 32.3 Extension SAUNA BENCHES



① x1  
Mpl-28x82x1555  
or  
Mpl-28x82x2055

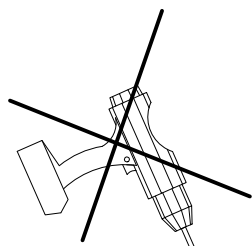
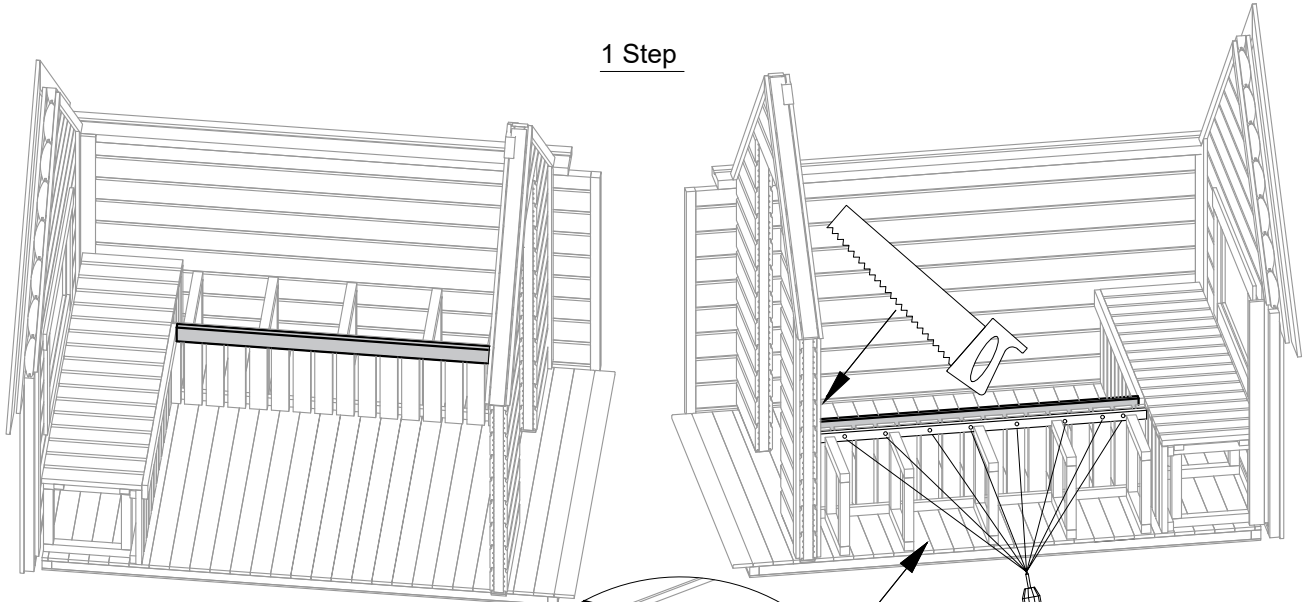


② x1  
Gultas-virs-470x1555  
or  
Gultas-virs-470x2055

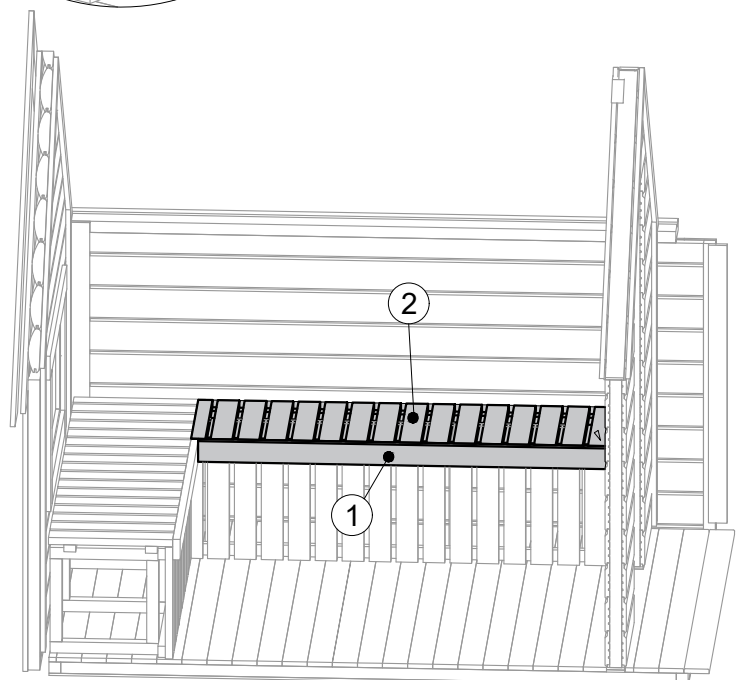
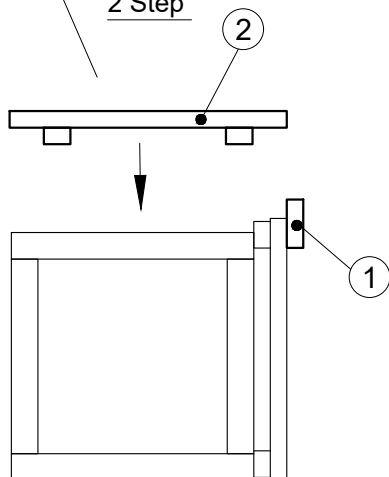


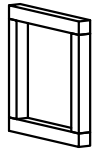
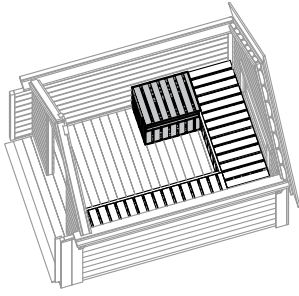
③ x10  
T-GC-5x80

#### 1 Step



#### 2 Step





① x3 or (2)  
Gultas-koja-411x420



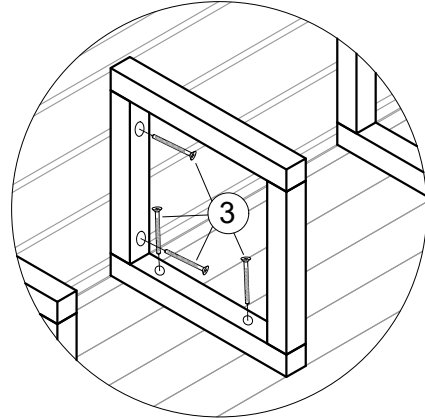
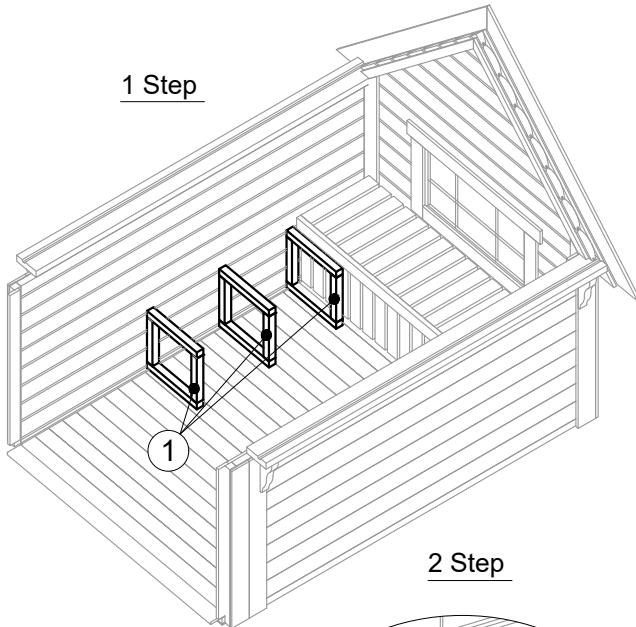
② x1  
Gultas-son-444x612  
or  
Gultas-son-444x1112



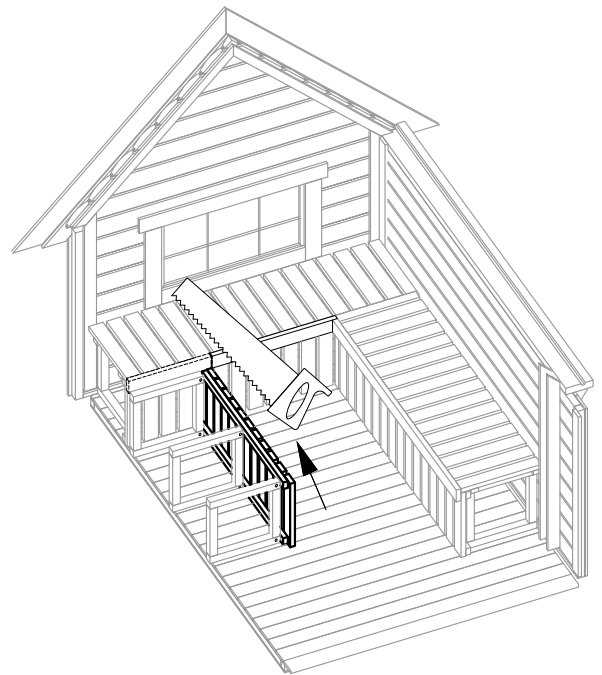
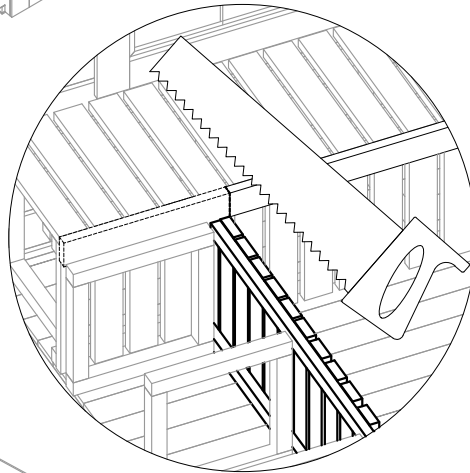
③ x18  
T-GC-5x80

## 32.4 Extension SAUNA BENCHES

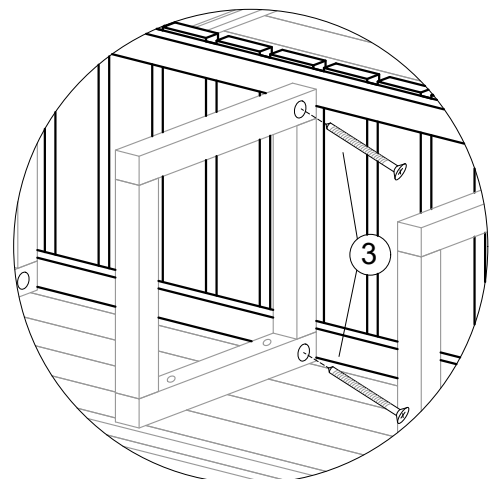
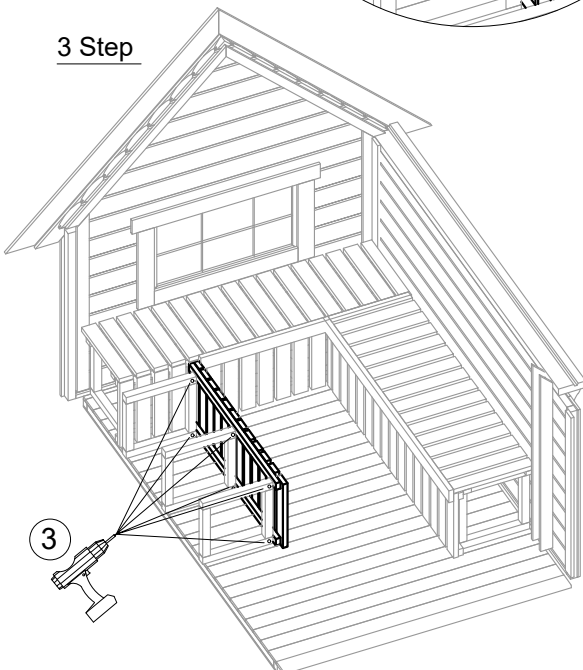
1 Step

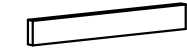
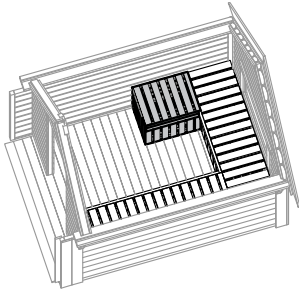


2 Step



3 Step





① x1  
Mpl-28x82x612  
or  
Mpl-28x82x1112



② x1  
Gultas-gal-440x444



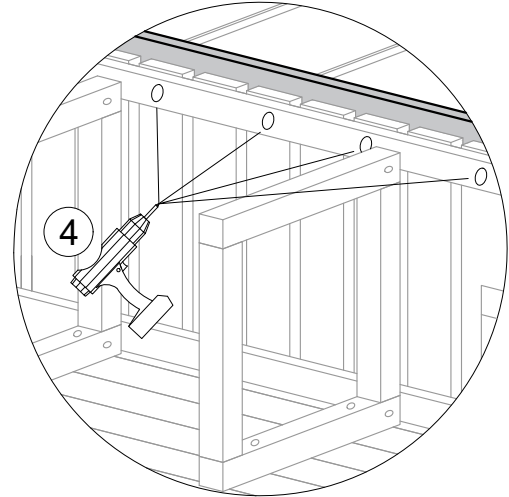
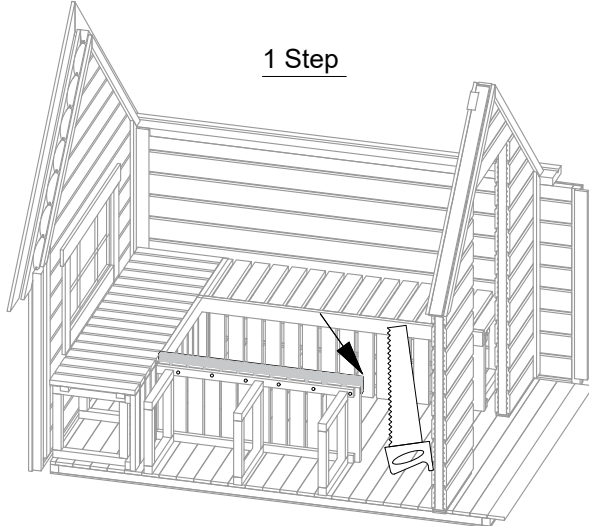
③ x1  
Gultas-virs-470x612  
or  
Gultas-virs-470x1112



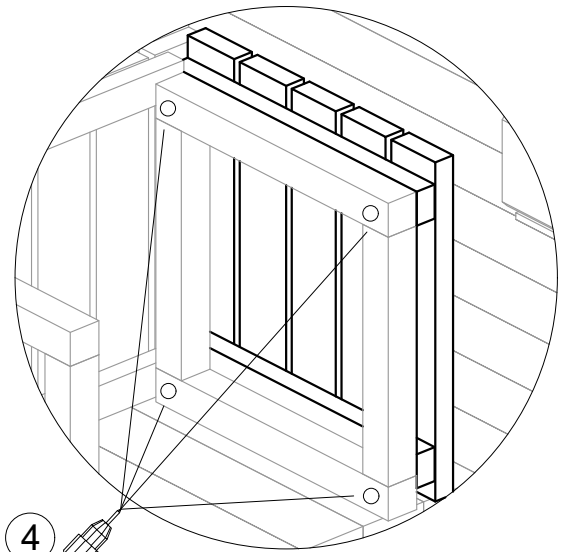
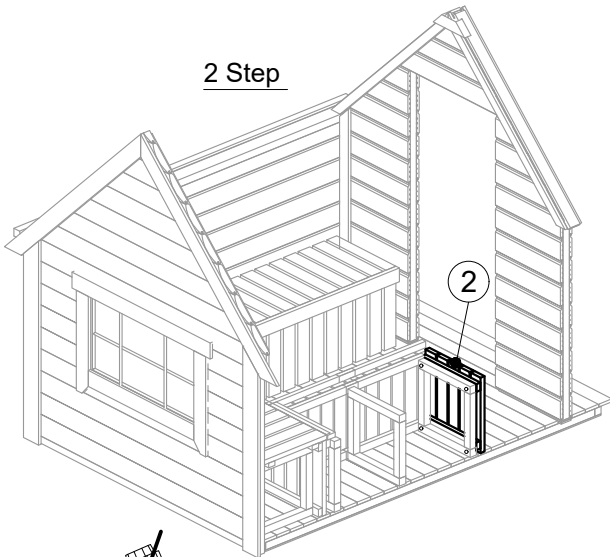
④ x10  
T-GC-5x80

## 32.5 Extension SAUNA BENCHES

1 Step



2 Step



3 Step

